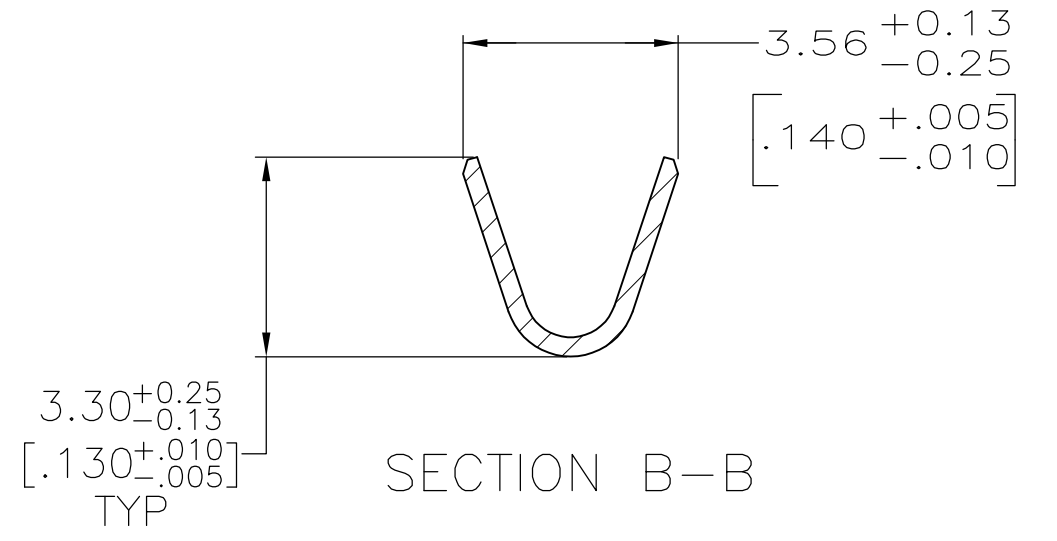
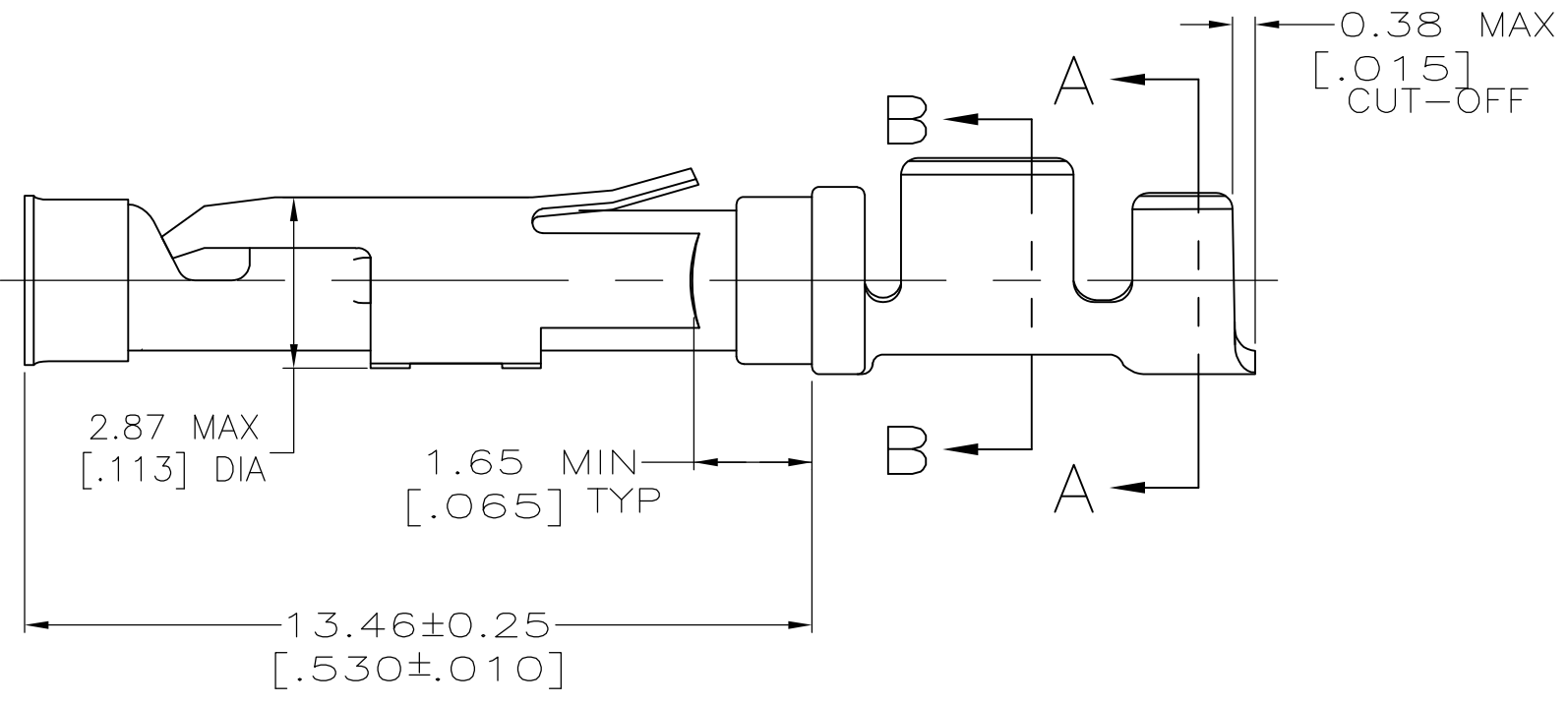
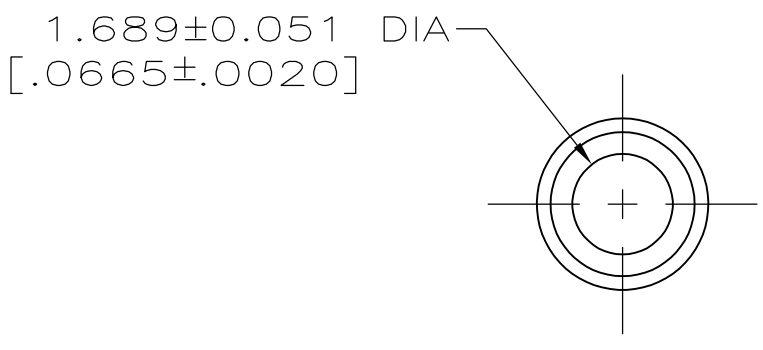
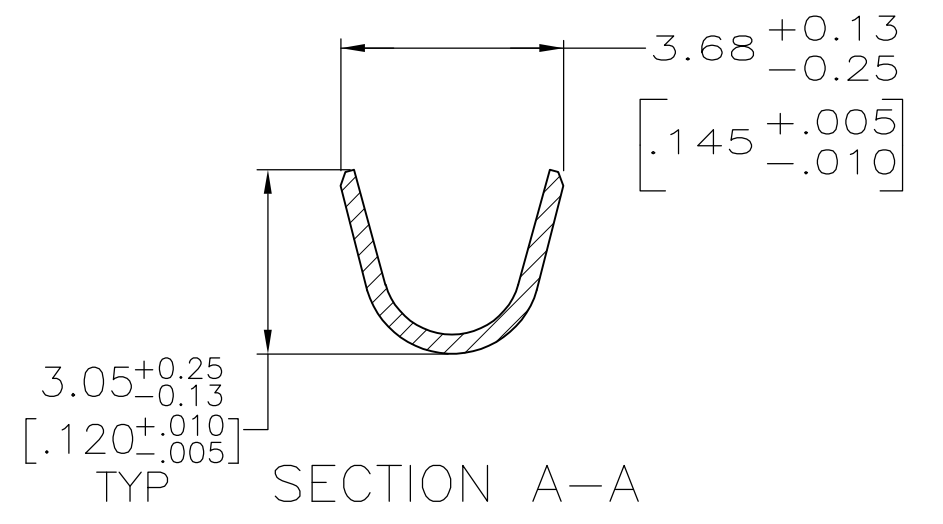
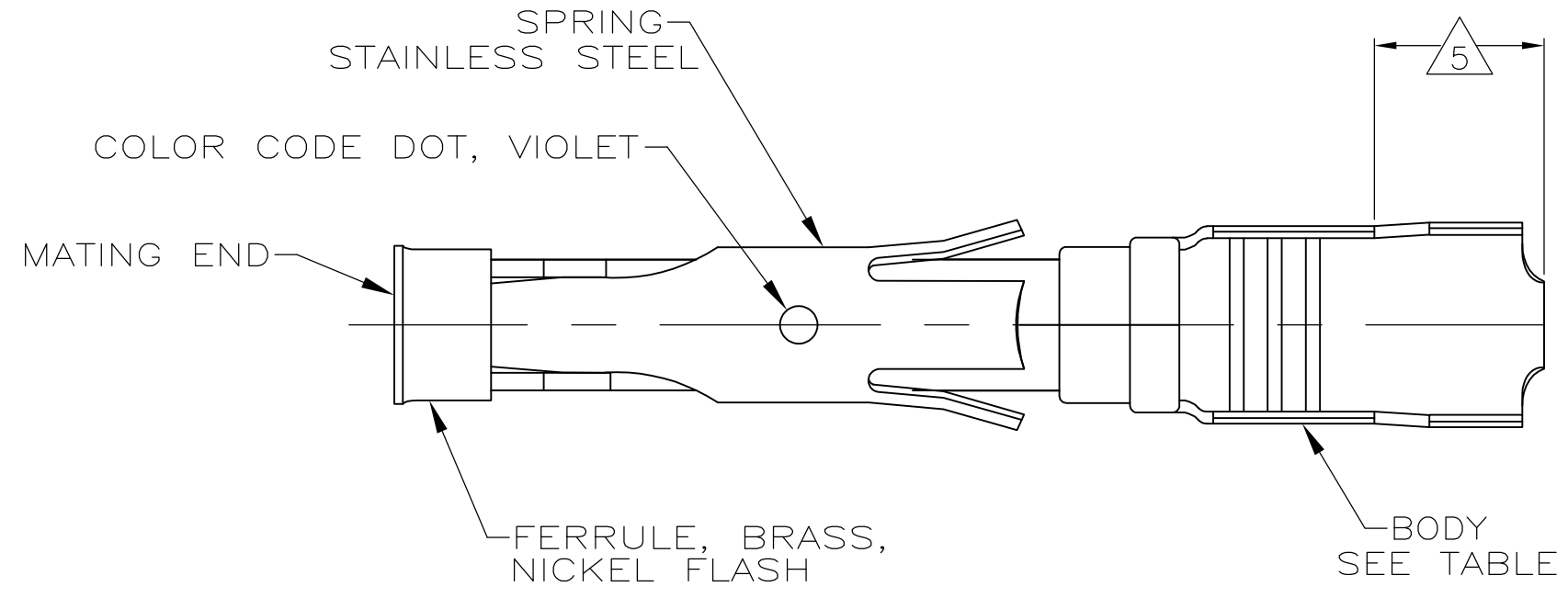


THIS DRAWING IS UNPUBLISHED. RELEASED FOR PUBLICATION
 © COPYRIGHT - By - ALL RIGHTS RESERVED.

LOC		DIST		REVISIONS			
P	LTR	DESCRIPTION		DATE	DWN	APVD	
FT	0	J	REVISED PER ECO-12-012320	05JUL12	KH	MZ	



- 1 0.76µm [.000030] MIN GOLD PER MIL-G-45204 ON MATING END FOR A LENGTH OF 5.08 [.200] MIN WITH GOLD FLASH ON THE REMAINDER OVER 0.76µm [.000030] MIN NICKEL PER QQ-N-290.
- 2 1.27µm [.000050] MIN TIN-LEAD PER MIL-T-10727 OVER 0.76µm [.000030] MIN NICKEL PER QQ-N-290.
- 3 0.76µm [.000030] MIN GOLD PER MIL-G-45204 ON MATING END FOR A LENGTH OF 5.08 [.200] MIN WITH A UNIFORM GRADIENT TO 0.25µm [.000010] MIN GOLD PER MIL-G-45204 ON THE REMAINDER OVER 0.76µm [.000030] MIN NICKEL PER QQ-N-290.
- 4 0.38µm [.000015] MIN GOLD PER MIL-G-45204 ON MATING END FOR A LENGTH OF 5.08 [.200] MIN WITH 1.27µm [.000050] MIN MATTE TIN PLATE IN WIRE CRIMP AREA, BOTH OVER 0.76µm [.000030] MIN NICKEL PER QQ-N-290.
- 5 GOLD PLATING NOT REQUIRED IN THIS AREA.
- 6 WIRE RANGE 18-16 AWG. INSULATION RANGE 2.03 [.080]-2.54 [.100].
- 7 0.38µm [.000015] MIN GOLD PER MIL-G-45204 ON MATING END FOR A LENGTH OF 5.08 [.200] MIN, 1.27µm [.000050] MIN TIN-LEAD PER MIL-T-10727 FOR A LENGTH OF 5.69 [.224] MIN ON OPPOSITE END, BOTH OVER 1.27µm [.000050] MIN NICKEL PER QQ-N-290 ON ENTIRE CONTACT.
- 8 1.27µm [.000050] MIN TIN PER MIL-T-10727 OVER 0.76µm [.000030] MIN NICKEL PER QQ-N-290.
- 9 0.76µm [.000030] MIN GOLD PER MIL-G-45204 ON MATING END FOR A LENGTH OF 5.08 [.200] MIN WITH 1.27µm [.000050] MIN MATTE TIN PLATE IN WIRE CRIMP AREA, BOTH OVER 0.76µm [.000030] MIN NICKEL PER QQ-N-290.

	STANDARD	8	CU-NI ALLOY	2-66358-1	1-66360-6
	STANDARD	2	CU-NI ALLOY	2-66358-0	1-66360-5
	STANDARD	1	CU-NI ALLOY	1-66358-9	1-66360-4
	SMALL PACK	8	BRASS	1-66358-6	1-66360-3
	STANDARD	8	BRASS	1-66358-6	1-66360-2
	SMALL PACK	9	BRASS	66358-4	1-66360-1
	SMALL PACK	2	BRASS	66358-2	1-66360-0
OBSOLETE	STANDARD	7	BRASS	1-66358-5	66360-9
	STANDARD	1	PHOSPHOR BRONZE	1-66358-3	66360-8
OBSOLETE	STANDARD	2	PHOSPHOR BRONZE	1-66358-2	66360-7
	STANDARD	9	BRASS	66358-4	66360-4
	STANDARD	4	BRASS	66358-3	66360-3
	STANDARD	2	BRASS	66358-2	66360-2
	STANDARD	3	BRASS	66358-1	66360-1
	PACKAGING	BODY FINISH	BODY MATERIAL	STRIP P/N REF	PART NUMBER

THIS DRAWING IS A CONTROLLED DOCUMENT.

DIMENSIONS: mm [INCHES]	TOLERANCES UNLESS OTHERWISE SPECIFIED:	DWN L.SIPE 06/03/92	TE Connectivity
	0 PLC ± -	CHK W.LENKER 6-11-92	
	1 PLC ± -	APVD G.STEINHAUER 7-8-92	
	2 PLC ± 0.13 [.005]	NAME	
MATERIAL SEE CALLOUTS	FINISH SEE TABLE	PRODUCT SPEC	SOCKET ASSEMBLY, LOOSE PIECE, TYPE III+
		APPLICATION SPEC	SIZE A2 CAGE CODE 00779 DRAWING NO C=66360 RESTRICTED TO
		WEIGHT -	SCALE 8:1 SHEET 1 OF 1 REV J
		CUSTOMER DRAWING	