

DATA SHEET

SKY13405-490LF: 0.1 to 3.0 GHz Ultra High Linearity SPDT Switch

Applications

- Simultaneous voice and LTE data

Features

- Ultra high linearity performance
- IMD3: < -100 dBm for SVLTE data
- Low insertion loss: 0.3 dB @ 1.0 GHz
- High IP0.1dB: +38 dBm
- No external DC blocking capacitors required
- DC supply voltage: 2.5 V to 4.8 V
- Small, QFN (12-pin, 2 x 2 mm) package (MSL1, 260 °C per JEDEC J-STD-020)

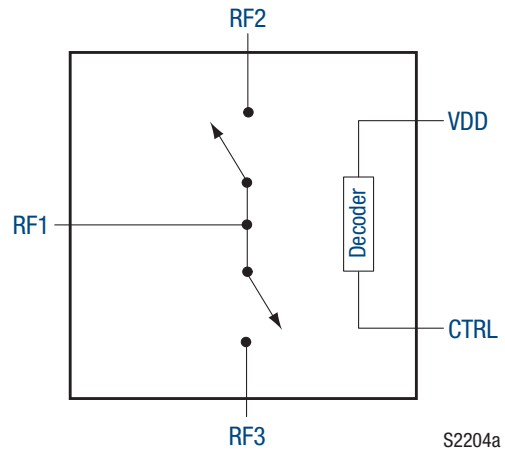


Figure 1. SKY13405-490LF Block Diagram



Skyworks Green™ products are compliant with all applicable legislation and are halogen-free. For additional information, refer to *Skyworks Definition of Green™*, document number SQ04-0074.

Description

The SKY13405-490LF is a CMOS, silicon-on-insulator (SOI) single-pole, double-throw (SPDT) switch. The high linearity and low insertion loss of the SKY13405-490LF will meet the most stringent requirements of CDMA Simultaneous Voice and LTE (SVLTE) data applications.

The switch is a “reflective short” on the isolated port.

The SKY13405-490LF SPDT switch is provided in a compact Quad Flat No-Lead (QFN) 2 x 2 mm package. A functional block diagram is shown in Figure 1. The pin configuration and package are shown in Figure 2. Signal pin assignments and functional pin descriptions are provided in Table 1.

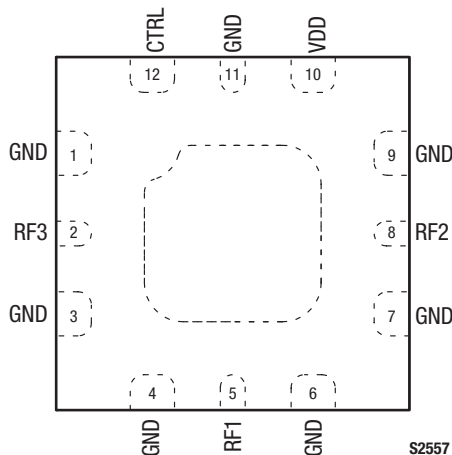


Figure 2. SKY13405-490LF Pinout (Top View)

Table 1. SKY13405-490LF Signal Descriptions

Pin	Name	Description	Pin	Name	Description
1	GND	Ground	7	GND	Ground
2	RF3	RF port 3	8	RF2	RF port 2
3	GND	Ground	9	GND	Ground
4	GND	Ground	10	VDD	DC power supply
5	RF1	RF port 1	11	GND	Ground
6	GND	Ground	12	CTRL	DC control pin. See Table 4.

Note: Exposed pad must be properly grounded using a low impedance path.

Functional Description

The SKY13405-490LF is designed for high linearity LTE/CDMA handset and data card switching applications. The device can also be used in a variety of other applications that require high performance RF switching.

The high linearity and low insertion loss combined with an advanced proprietary fabrication process enable the switch to be used in CDMA and LTE applications. An internal negative voltage generator and decoder eliminate the need for external DC blocking capacitors on the RF ports.

Switching is controlled by one voltage input (CTRL). Depending on the logic voltage level applied to the control pin, the RF1 pin is connected to one of two switched RF outputs (RF2 or RF3) using a low insertion loss path, while the path between the RF1 pin and the other RF output pin is in a high isolation state.

An internal decoder is used to provide the correct logic to the switch.

Electrical and Mechanical Specifications

The absolute maximum ratings of the SKY13405-490LF are provided in Table 2. Electrical specifications are provided in Table 3.

The state of the SKY13405-490LF is determined by the logic provided in Table 4.

Typical performance characteristics of the SKY13405-490LF are illustrated in Figures 3 through 6.

Table 2. SKY13405-490LF Absolute Maximum Ratings (Note 1)

Parameter	Symbol	Minimum	Maximum	Units
Supply voltage	V _{BATT}		5	V
Control voltage	V _{CTL}		3	V
Input power	P _{IN}		+40	dBm
Storage temperature	T _{STG}	-40	+125	°C
Operating temperature	T _{OP}	-40	+85	°C
Electrostatic discharge:	ESD			
Charged Device Model (CDM), Class 4			1000	V
Human Body Model (HBM), Class 1B			500	V
Machine Model (MM), Class A			150	V

Note 1: Exposure to maximum rating conditions for extended periods may reduce device reliability. There is no damage to device with only one parameter set at the limit and all other parameters set at or below their nominal value. Exceeding any of the limits listed here may result in permanent damage to the device.

CAUTION: Although this device is designed to be as robust as possible, electrostatic discharge (ESD) can damage this device. This device must be protected at all times from ESD. Static charges may easily produce potentials of several kilovolts on the human body or equipment, which can discharge without detection. Industry-standard ESD precautions should be used at all times.

Table 3. SKY13405-490LF Electrical Specifications (Note 1)**(V_{BATT} = 2.5 V to 4.8 V, CTRL = 1.65 V to 2.70 V, T_{OP} = +25 °C, P_{IN} = 0 dBm, Characteristic Impedance [Z₀] = 50 Ω, Unless Otherwise Noted)**

Parameter	Symbol	Test Condition	Min	Typical	Max	Units
RF Specifications						
Insertion loss	IL	RF1 to RF2/RF3:				
		0.1 to 1.0 GHz		0.30	0.35	dB
		1.0 to 2.2 GHz		0.35	0.40	dB
		2.2 to 3.0 GHz		0.40	0.50	dB
Isolation	Iso	RF1 to RF2/RF3:				
		0.1 to 1.0 GHz	35	37		dB
		1.0 to 2.2 GHz	28	30		dB
		2.2 to 3.0 GHz	25	27		dB
Return loss	IS11I	RF1 to RF2/RF3, 0.1 to 3.0 GHz		20		dB
0.1 dB input compression point	IPO.1dB	RF1 to RF2/RF3, 0.8 to 3.0 GHz		+38		dBm
B13 2 nd harmonic	B13 2fo	P _{IN} = +25 dBm, f = 787 MHz, RF2, RF3		-81		dBm
Third order intermodulation distortion	BCO IMD3 (voice)	f1 = 827 MHz, f2 = 782 MHz, F _{IMD3} = 872 MHz, P1 = +14 dBm, P2 = +23 dBm		-100		dBm
	B13 IMD3 (LTE data)	f1 = 825 MHz, f2 = 786 MHz, F _{IMD3} = 747 MHz, P1 = +14 dBm, P2 = +23 dBm		-95		dBm
Switching speed		50% V _{CTL} to 10/90% RF "on" time		2.3		μs
		50% V _{CTL} to 90/10% RF "off" time		2.0		μs
		10/90% RF rise time		1.1		μs
		90/10% RF fall time		1.8		μs
Startup time				2		μs
DC Specifications						
Control voltage:	V _{CTL_HIGH} V _{CTL_LOW}		1.65		2.70	V
			0		0.4	V
Supply voltage	V _{BATT}		2.5		4.8	V
Supply current	I _{BATT}	V _{BATT} = 2.5 to 4.8 V		50		μA
Control current	I _{CTRL}	CTRL = 1.8 V		0.5		μA

Note 1: Performance is guaranteed only under the conditions listed in this table.

Table 4. SKY13405-490LF Truth Table

CTRL (Pin 12)	Mode
0	RF1 to RF2
1	RF1 to RF3

Note: 1 = 1.65 to 2.70 V
 0 = -0 to 0.4 V
 Any state other than described in this Table places the switch into an undefined state. An undefined state will not damage the device.

Typical Performance Characteristics

($V_{BATT} = 2.5\text{ V to }4.8\text{ V}$, $CTRL = 1.65\text{ V to }2.70\text{ V}$, $T_{OP} = +25\text{ }^{\circ}\text{C}$, $P_{IN} = 0\text{ dBm}$, Characteristic Impedance [Z_0] = $50\text{ }\Omega$, Unless Otherwise Noted)

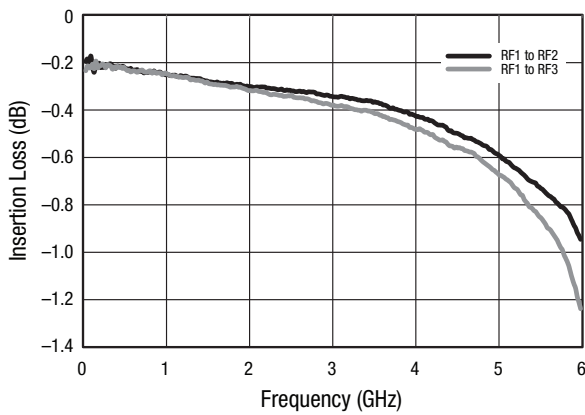


Figure 3. Insertion Loss vs Frequency

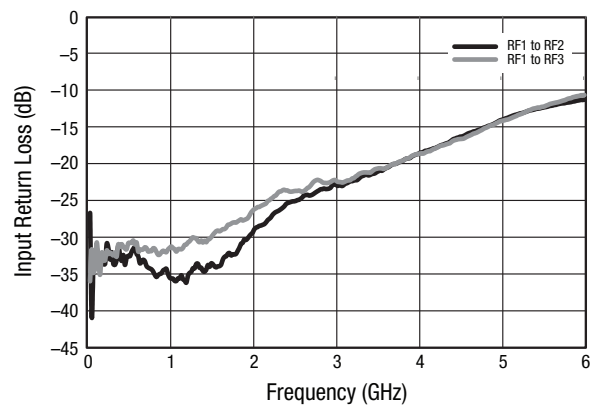


Figure 4. Input Return Loss vs Frequency

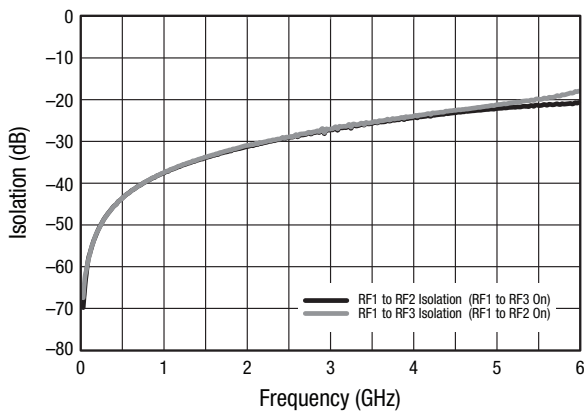


Figure 5. Input to Output Isolation vs Frequency

Evaluation Board Description

The SKY13405-490LF Evaluation Board is used to test the performance of the SKY13405-490LF SPDT Switch.

An Evaluation Board schematic diagram is provided in Figure 6. An assembly drawing for the Evaluation Board is shown in Figure 7.

Package Dimensions

The PCB layout footprint for the SKY13405-490LF is provided in Figure 8. Typical part markings are shown in Figure 9. Package dimensions for the 12-pin QFN are shown in Figure 10, and tape and reel dimensions are provided in Figure 11.

Package and Handling Information

Instructions on the shipping container label regarding exposure to moisture after the container seal is broken must be followed. Otherwise, problems related to moisture absorption may occur when the part is subjected to high temperature during solder assembly.

The SKY13405-490LF is rated to Moisture Sensitivity Level 1 (MSL1) at 260 °C. It can be used for lead or lead-free soldering. For additional information, refer to the Skyworks Application Note, *Solder Reflow Information*, document number 200164.

Care must be taken when attaching this product, whether it is done manually or in a production solder reflow environment. Production quantities of this product are shipped in a standard tape and reel format.

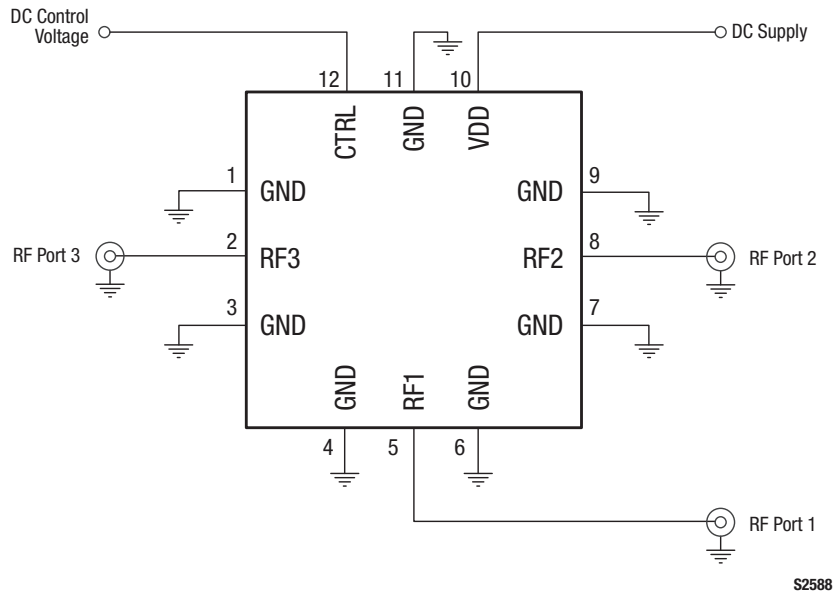
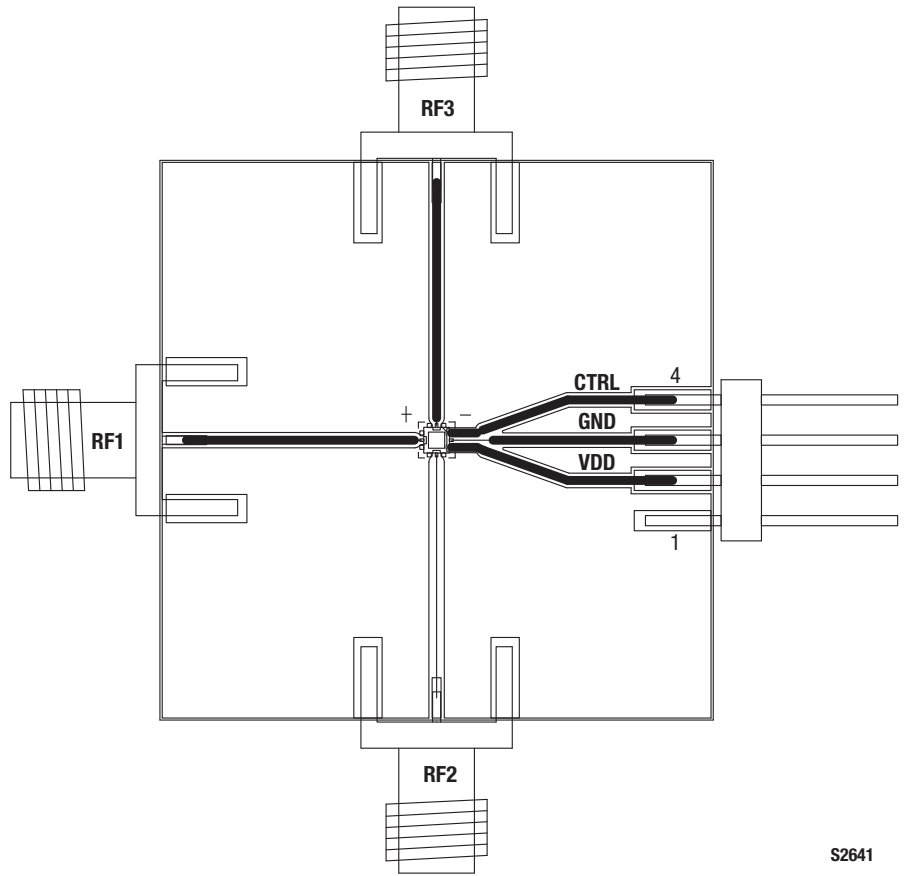


Figure 6. SKY13405-490LF Evaluation Board Schematic



S2641

Figure 7. SKY13405-490LF Evaluation Board Assembly Diagram

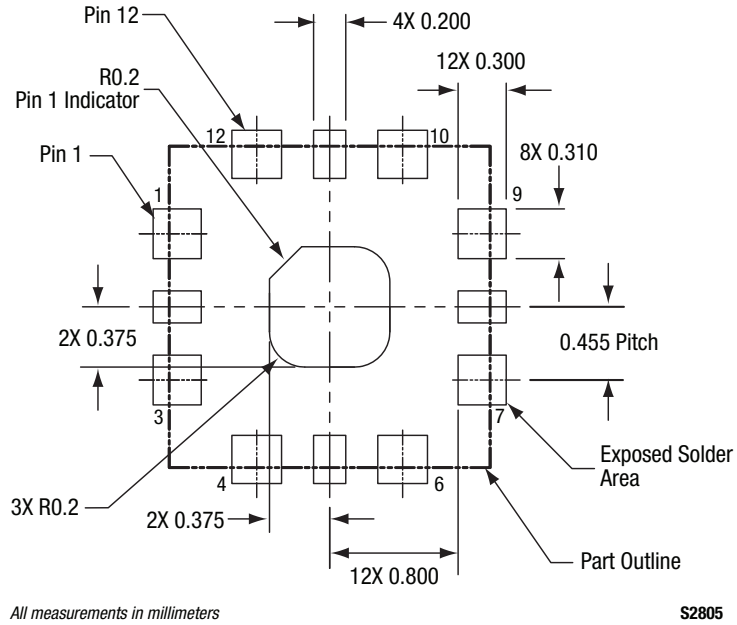


Figure 8. SKY13405-490LF PCB Layout Footprint (Top View)

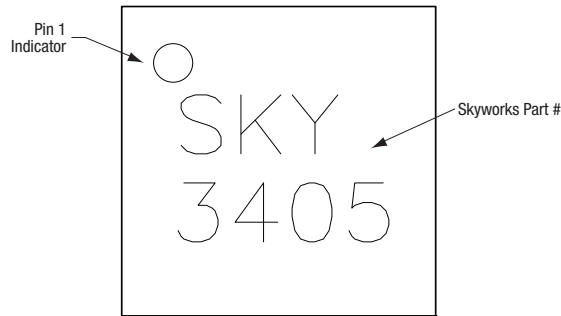
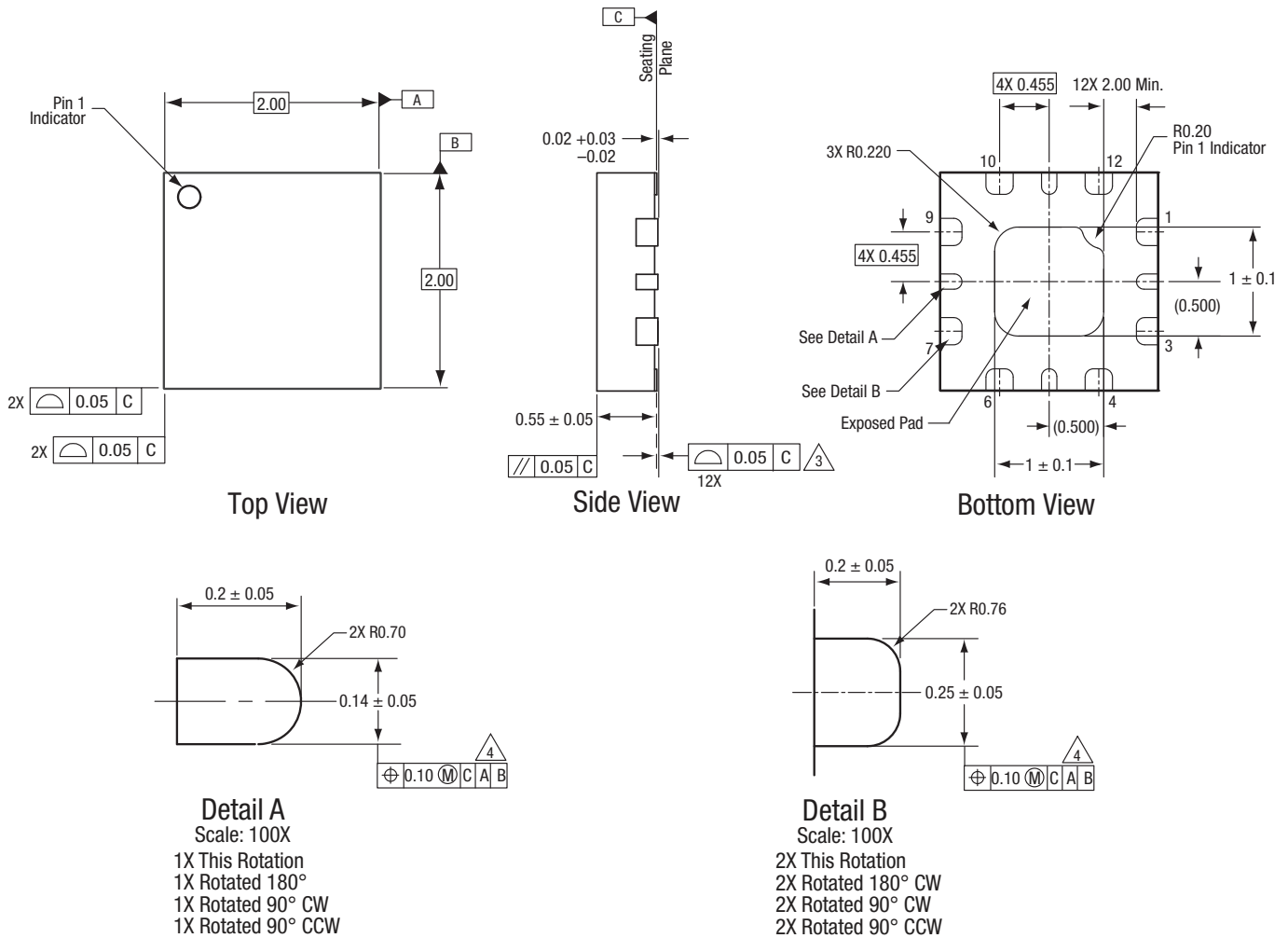


Figure 9. Typical Part Markings (Top View)

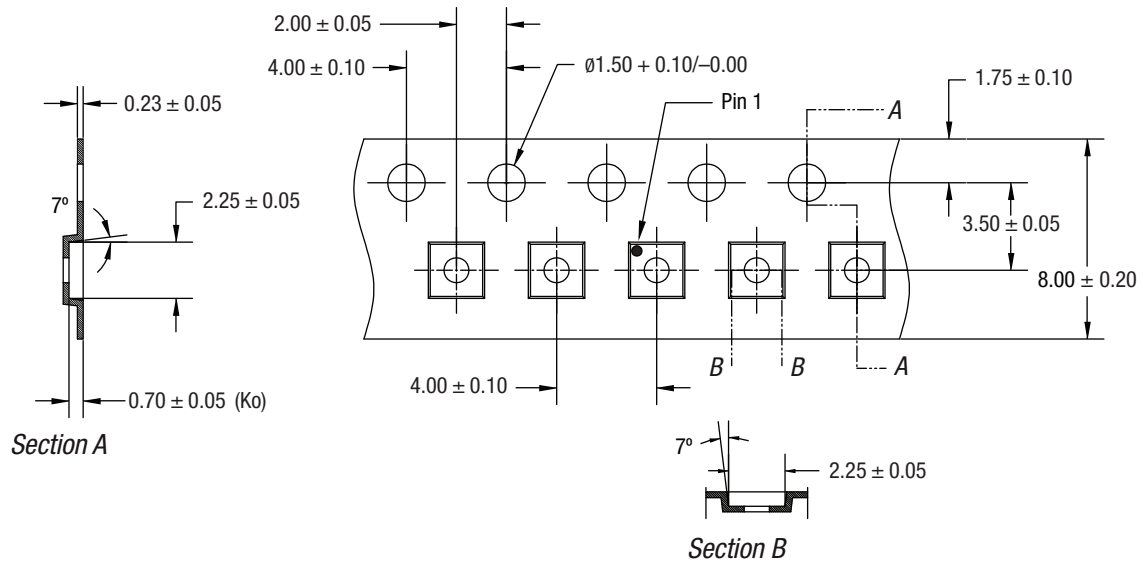


Notes:

1. All measurements are in millimeters.
2. Dimensions and tolerances according to ASME Y14.5M-1994.
3. Coplanarity applies to the terminals and all other bottom surface metalization.
4. Dimension applies to metalized terminal. If the terminal has a radius on its end, the width dimension should not be measured in that radius area.

S2677

Figure 10. SKY13405-490LF 12-Pin QFN Package Dimensions



Notes:

1. Carrier tape must meet all requirements of Skyworks GP01-D232 procurement spec for tape and reel shipping.
2. Carrier tape shall be black conductive polycarbonate bakeable material at 125 °C temperature.
3. Cover tape shall be transparent conductive with 5.40 mm width.
4. ESD-surface resistivity must meet all ESD requirements of Skyworks specified on GP01-D232.
5. All measurements are in millimeters.

ts737

Figure 11. SKY13405-490LF Tape and Reel Dimensions

Ordering Information

Model Name	Manufacturing Part Number	Evaluation Board Part Number
SKY13405-490LF SPDT Switch	SKY13405-490LF	SKY13405-490LF-EVB

Copyright © 2011-2015 Skyworks Solutions, Inc. All Rights Reserved.

Information in this document is provided in connection with Skyworks Solutions, Inc. ("Skyworks") products or services. These materials, including the information contained herein, are provided by Skyworks as a service to its customers and may be used for informational purposes only by the customer. Skyworks assumes no responsibility for errors or omissions in these materials or the information contained herein. Skyworks may change its documentation, products, services, specifications or product descriptions at any time, without notice. Skyworks makes no commitment to update the materials or information and shall have no responsibility whatsoever for conflicts, incompatibilities, or other difficulties arising from any future changes.

No license, whether express, implied, by estoppel or otherwise, is granted to any intellectual property rights by this document. Skyworks assumes no liability for any materials, products or information provided hereunder, including the sale, distribution, reproduction or use of Skyworks products, information or materials, except as may be provided in Skyworks Terms and Conditions of Sale.

THE MATERIALS, PRODUCTS AND INFORMATION ARE PROVIDED "AS IS" WITHOUT WARRANTY OF ANY KIND, WHETHER EXPRESS, IMPLIED, STATUTORY, OR OTHERWISE, INCLUDING FITNESS FOR A PARTICULAR PURPOSE OR USE, MERCHANTABILITY, PERFORMANCE, QUALITY OR NON-INFRINGEMENT OF ANY INTELLECTUAL PROPERTY RIGHT; ALL SUCH WARRANTIES ARE HEREBY EXPRESSLY DISCLAIMED. SKYWORKS DOES NOT WARRANT THE ACCURACY OR COMPLETENESS OF THE INFORMATION, TEXT, GRAPHICS OR OTHER ITEMS CONTAINED WITHIN THESE MATERIALS. SKYWORKS SHALL NOT BE LIABLE FOR ANY DAMAGES, INCLUDING BUT NOT LIMITED TO ANY SPECIAL, INDIRECT, INCIDENTAL, STATUTORY, OR CONSEQUENTIAL DAMAGES, INCLUDING WITHOUT LIMITATION, LOST REVENUES OR LOST PROFITS THAT MAY RESULT FROM THE USE OF THE MATERIALS OR INFORMATION, WHETHER OR NOT THE RECIPIENT OF MATERIALS HAS BEEN ADVISED OF THE POSSIBILITY OF SUCH DAMAGE.

Skyworks products are not intended for use in medical, lifesaving or life-sustaining applications, or other equipment in which the failure of the Skyworks products could lead to personal injury, death, physical or environmental damage. Skyworks customers using or selling Skyworks products for use in such applications do so at their own risk and agree to fully indemnify Skyworks for any damages resulting from such improper use or sale.

Customers are responsible for their products and applications using Skyworks products, which may deviate from published specifications as a result of design defects, errors, or operation of products outside of published parameters or design specifications. Customers should include design and operating safeguards to minimize these and other risks. Skyworks assumes no liability for applications assistance, customer product design, or damage to any equipment resulting from the use of Skyworks products outside of stated published specifications or parameters.

Skyworks and the Skyworks symbol are trademarks or registered trademarks of Skyworks Solutions, Inc., in the United States and other countries. Third-party brands and names are for identification purposes only, and are the property of their respective owners. Additional information, including relevant terms and conditions, posted at www.skyworksinc.com, are incorporated by reference.