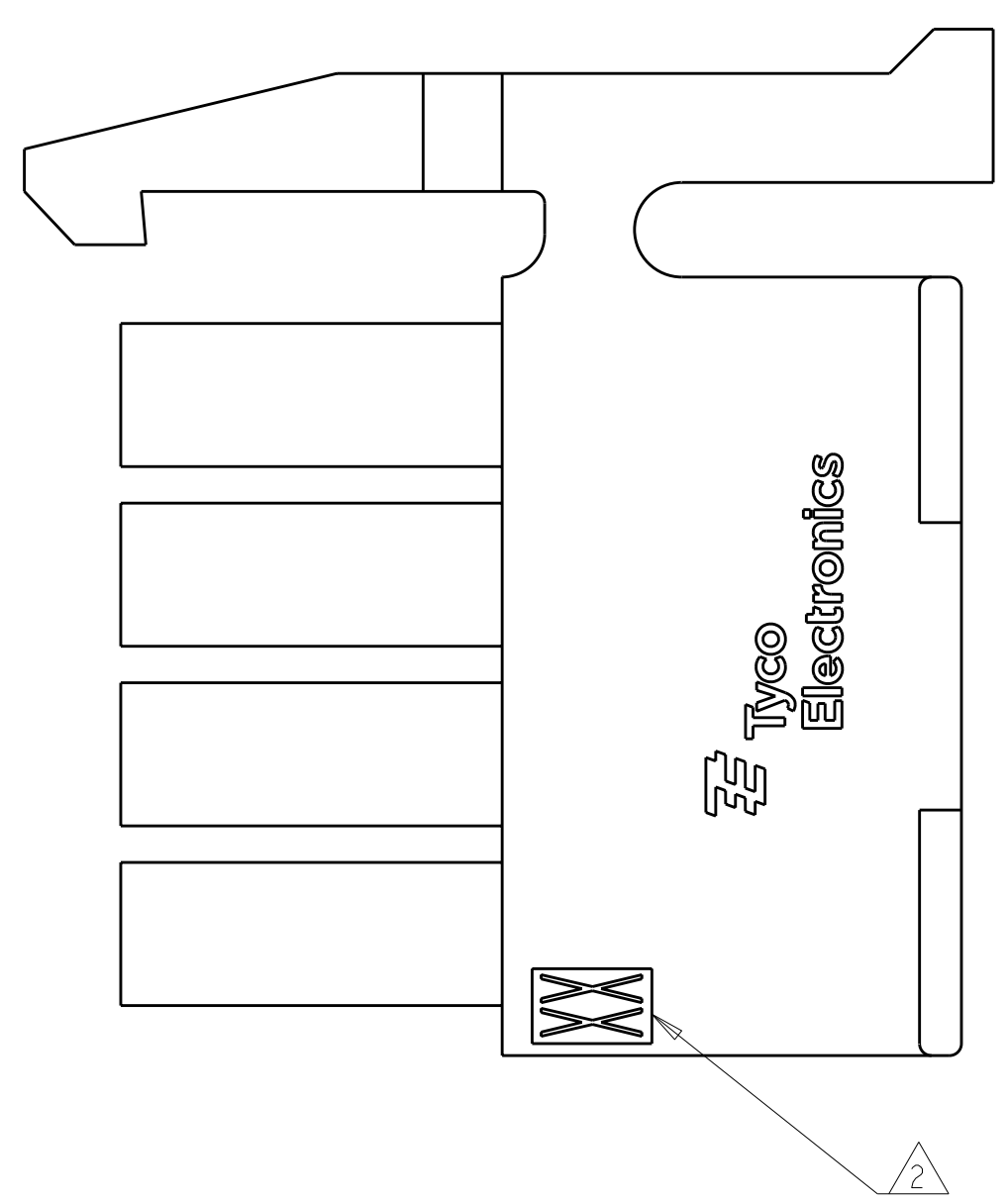
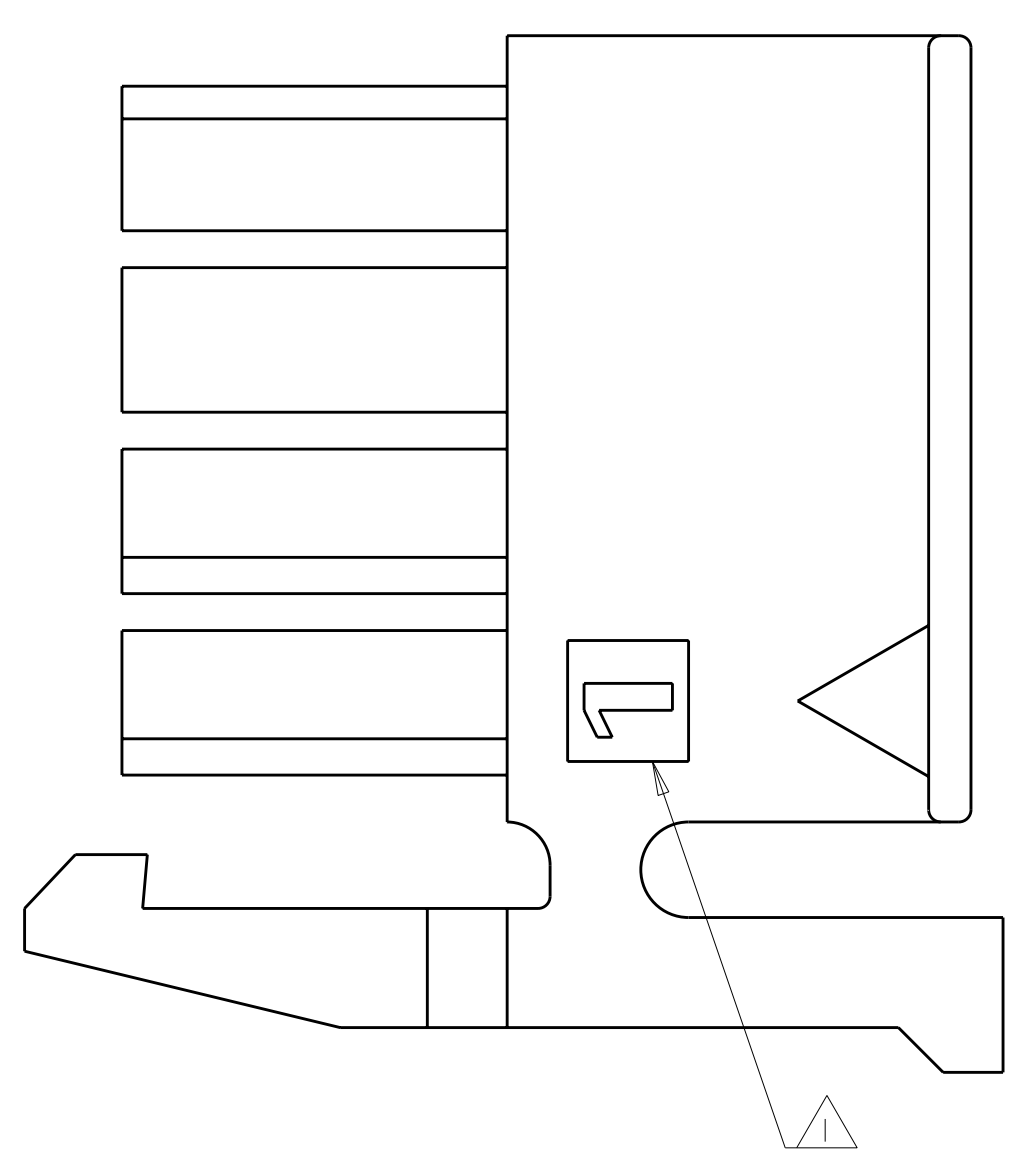
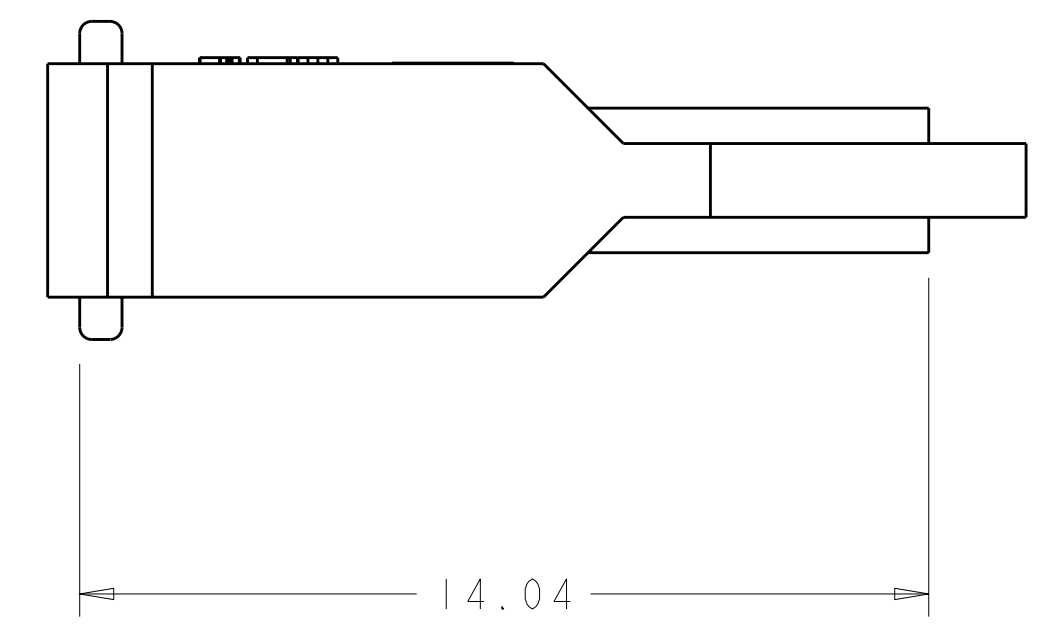
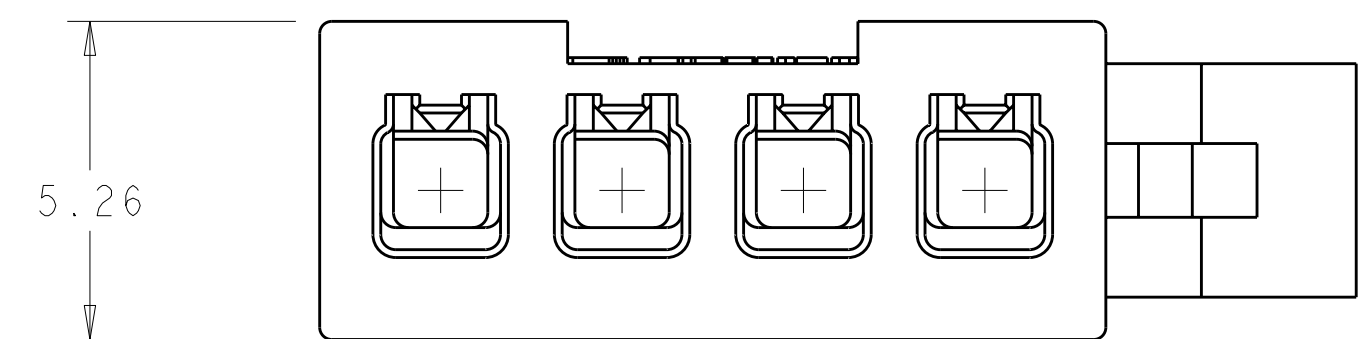
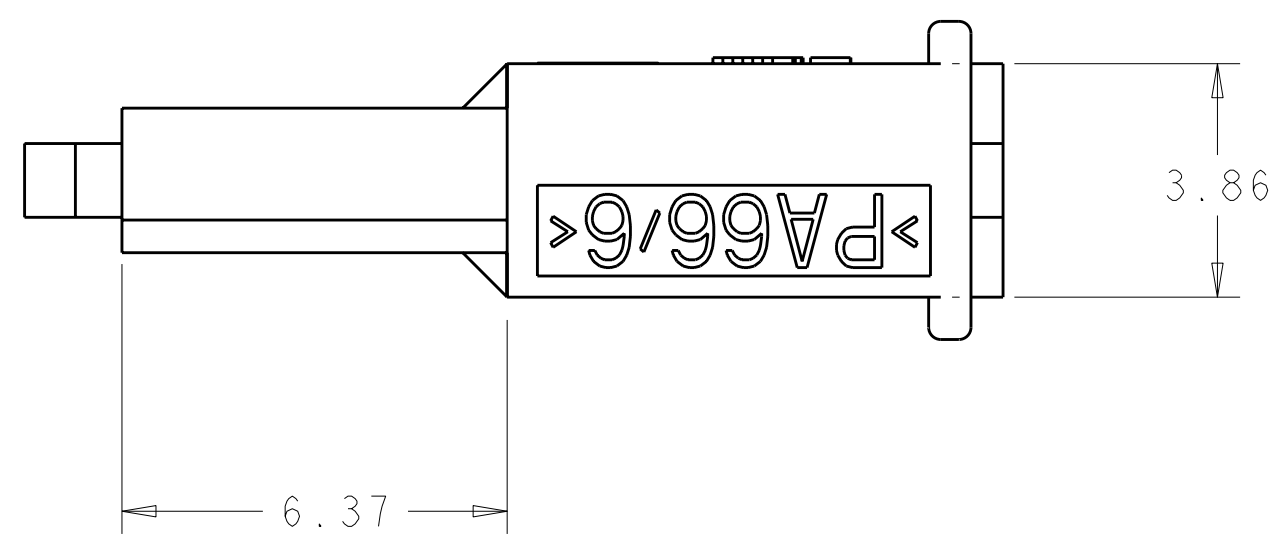
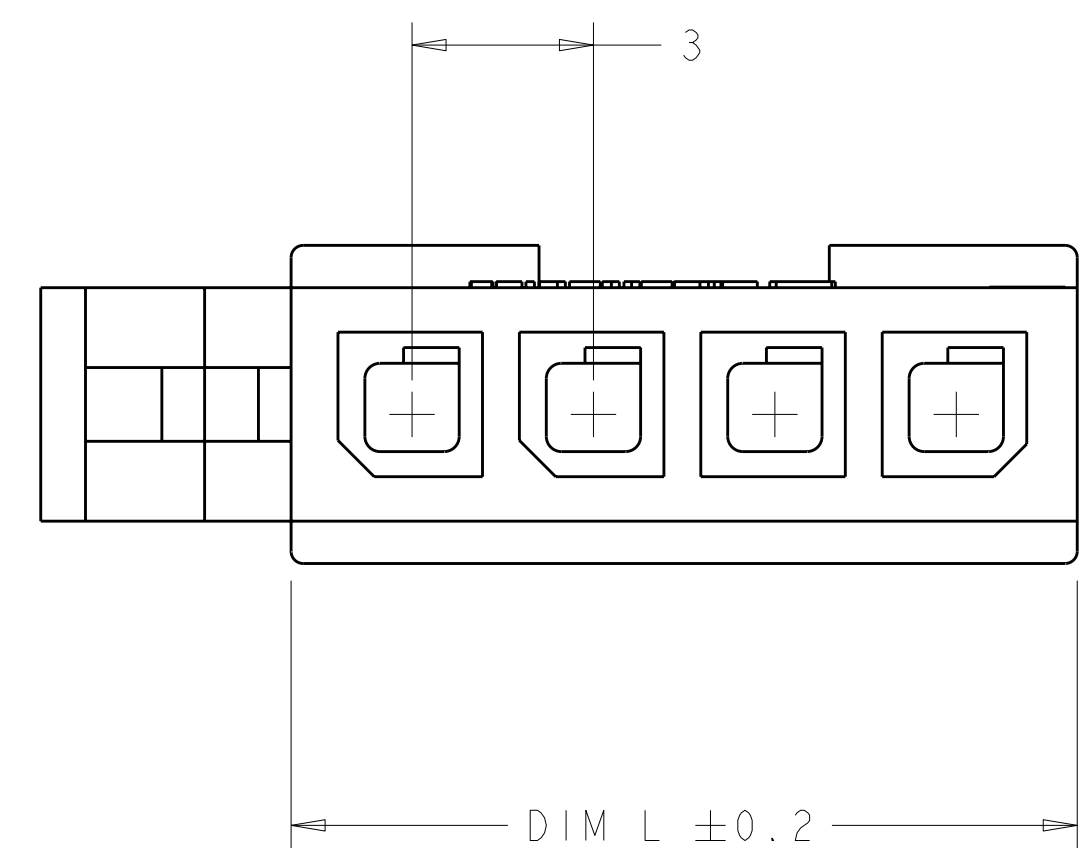


LOC	DIST	REVISIONS			
P	LTB	DESCRIPTION	DATE	DWN	APVD
CM	00	A2	REVISED PER ECO-11-005027	01MAY2011	RK HMR



① CIRCUIT 1 IDENTIFIER, LOCATED APPROXIMATELY AS SHOWN.
 ② LAST CIRCUIT IDENTIFIER, LOCATED APPROXIMATELY AS SHOWN.



VOLUME mm ³	DIM L	NO OF POS.	PART NO.
434.05	13	4	2029047-4
353.32	10	3	2029047-3
272.6	7	2	2029047-2



THIS DRAWING IS A CONTROLLED DOCUMENT.

DIMENSIONS:	TOLERANCES UNLESS OTHERWISE SPECIFIED:	DWN R. WHITAKER 03JAN2008	NAME
mm	0 PLC ±	CHK C. JONES 03JAN2008	RECEPTACLE HOUSING, SPECIAL, SINGLE ROW, MICRO MATE-L-LOK(TM)
	1 PLC ±	APVD C. JONES 03JAN2008	PRODUCT SPEC
	2 PLC ±0.13		APPLICATION SPEC
	3 PLC ±		WEIGHT
	4 PLC ±		CUSTOMER DRAWING
	ANGLES ±1°		SCALE 8:1
MATERIAL NYLON, UL 94V-0 BLACK	FINISH		SHEET 1 OF 1

RESTRICTED TO: A100779C=2029047