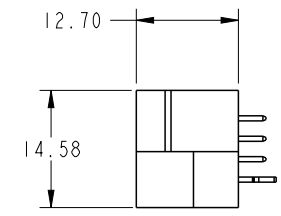
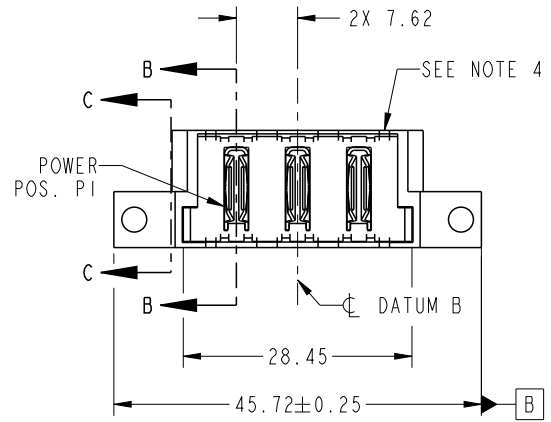
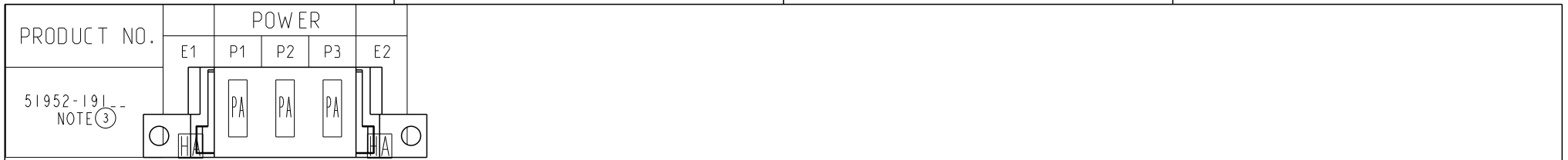




Copyright FCI.



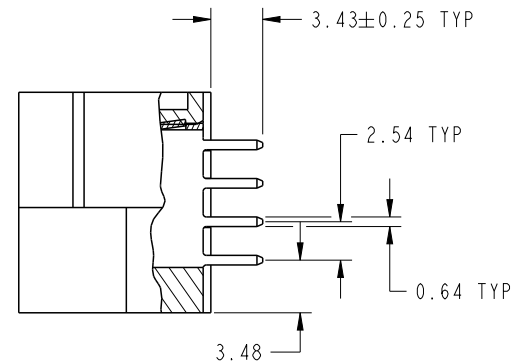
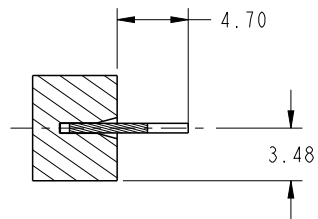
CODE	DIM "M" MATING LENGTH	CONTACT TYPE
PA	[N/A]	POWER
HA	[N/A]	HOLD-DOWN

spec ref	See Notes			dr	X Q Wang	2011/06/02	projection 	MM ←→	size	A4	scale	17:16	
tolerance std	TOLERANCES UNLESS OTHERWISE SPECIFIED			eng	X Q Wang	2011/06/24			ecn no	-			
See Notes				chr	-	-							
surface	linear	0.X	±0.50	appr	Pei-Ming Zheng	2011/06/24	product family	PwrBlade	rel level	Released			
-	angular	0°	±2°			title	3ACP VERTICAL SOLDER HEADER		dwg no	51952-191		rev	A
				www.fci.com	cat. no.	-	Product - Customer Drw			sheet 1 of 4			

PrdE File - REV C - 2009-06-09

PRODUCT NUMBER

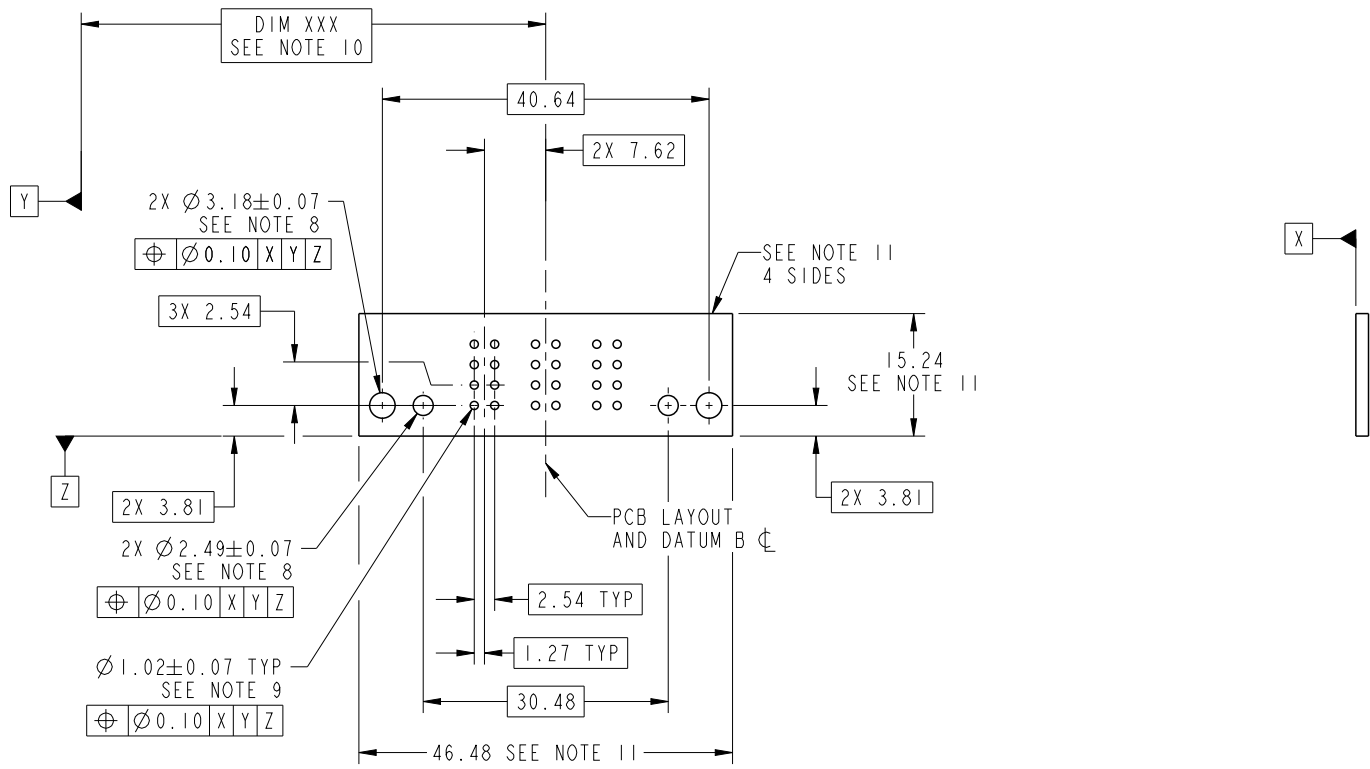
51952-191--
NOTE 3



dr	X Q Wang	2011/06/02	projection 	MM 	size	A4	scale	17:16
eng	X Q Wang	2011/06/24			ecn no	-		
chr	-	-			rel level	Released		
appr	Pei-Ming Zheng	2011/06/24	product family	PwrBlade	rev	A		
	title	3ACP VERTICAL SOLDER HEADER		dwg no	51952-191			
www.fci.com	cat. no.	-	Product - Customer Drw	sheet 2 of 4				

PRODUCT NUMBER

51952-191--
NOTE 3



RECOMMENDED PCB LAYOUT



Copyright FCI.

dr	X Q Wang	2011/06/02	projection 	MM 	size	A4	scale	17:16	
eng	X Q Wang	2011/06/24			ecn no	-			
chr	-	-			rel level	Released			
appr	Pei-Ming Zheng	2011/06/24	product family	PwrBlade	rev	A			
	title	3ACP	dwg no	51952-191	www.fci.com	cat. no.	-	Product - Customer Drw	sheet 3 of 4
		VERTICAL SOLDER HEADER							

ProjE File - REV C - 2009-06-09

1

2

3

4

PRODUCT NUMBER

51952-191--
NOTE 3

NOTES:

1. DIMENSIONS AND TOLERANCES ARE IN ACCORDANCE WITH ASME Y14.5M, 1994 UNLESS OTHERWISE SPECIFIED.

CONNECTOR NOTES:

- ② HOUSING MATERIAL: UL 94 V-0 GLASS FILLED HIGH-TEMP THERMOPLASTIC
POWER CONTACT MATERIAL: COPPER ALLOY
- 3. SEE ITEM 1 & 2 IN PRINT 10064183 FOR PLATING SPEC OF 51952-191 AND 51952-191LF RESPECTIVELY.
- ④ MANUFACTURER'S NAME, DATE CODE AND OPTIONAL P/N TO APPEAR ON THIS SURFACE. THE P/N CAN BE OMITTED IF THERE IS NOT ENOUGH SPACE ON THIS SURFACE.
- 5. PRODUCT SPECIFICATION GS-12-149.
APPLICATION SPECIFICATION BUS-20-067.
- 6. PACKAGED IN TRAYS.
- PCB NOTES:
- 7. ALL HOLE DIAMETERS ARE FINISHED HOLE SIZE.
- 8. MOUNTING HOLES, WHERE APPLICABLE, ARE UNPLATED.
- ⑨ $\varnothing 1.151 \pm 0.025$ DRILLED HOLES PLATED WITH
0.008 MIN SnPb OR Sn OVER .001 [0.03]
TO 0.08 Cu PLATING TO ACHIEVE
 $\varnothing 1.02 \pm 0.07$ HOLE.
- ⑩ "DIM XXX" TO BE DETERMINED BY THE CUSTOMER.
- ⑪ CONNECTOR KEEP-OUT ZONE.

A

B

C

D

A

B

C

D



Copyright FCI.

dr	X Q Wang	2011/06/02	projection 	MM 	size	A4	scale	1:1	
eng	X Q Wang	2011/06/24			ecn no	-			
chr	-	-							
appr	Pei-Ming Zheng	2011/06/24	product family	PwrBlade	rel level	Released			
	title	3ACP VERTICAL SOLDER HEADER			dwg no	51952-191		rev	A
www.fci.com	cat. no.	-	Product - Customer Drw			sheet 4 of 4			

2

3

4