

NOTES:

1. MATERIAL:
 '0' = NYLON V-O LOW HALOGEN; COLOR: BLACK
 '1' = NYLON V-2 GLOW WIRE CAPABLE; COLOR: BLACK
2. FINISH: NONE
3. PRODUCT SPECIFICATION: TBD
 APPLICATION SPECIFICATION: TBD
4. PACKAGING SPECIFICATION: PK-70873-0071
 REFER TO AS-45499-001 FOR MOISTURIZING NYLON CONNECTOR PARTS.
5. THIS HOUSING TO BE USED WITH RECEPTACLE HOUSING SERIES 170001 & 171692.
6. THIS PART CONFORMS TO CLASS 'B' REQUIREMENTS OF COSMETIC SPECIFICATION PS-45499-002.
11. FOR "1" MATERIAL USE CLASS C GATE BLIMISH SPEC.
12. 200122-0006 SHOWN. SEE SHEET 2 FOR OTHER PART NUMBERS.

PART LEGEND

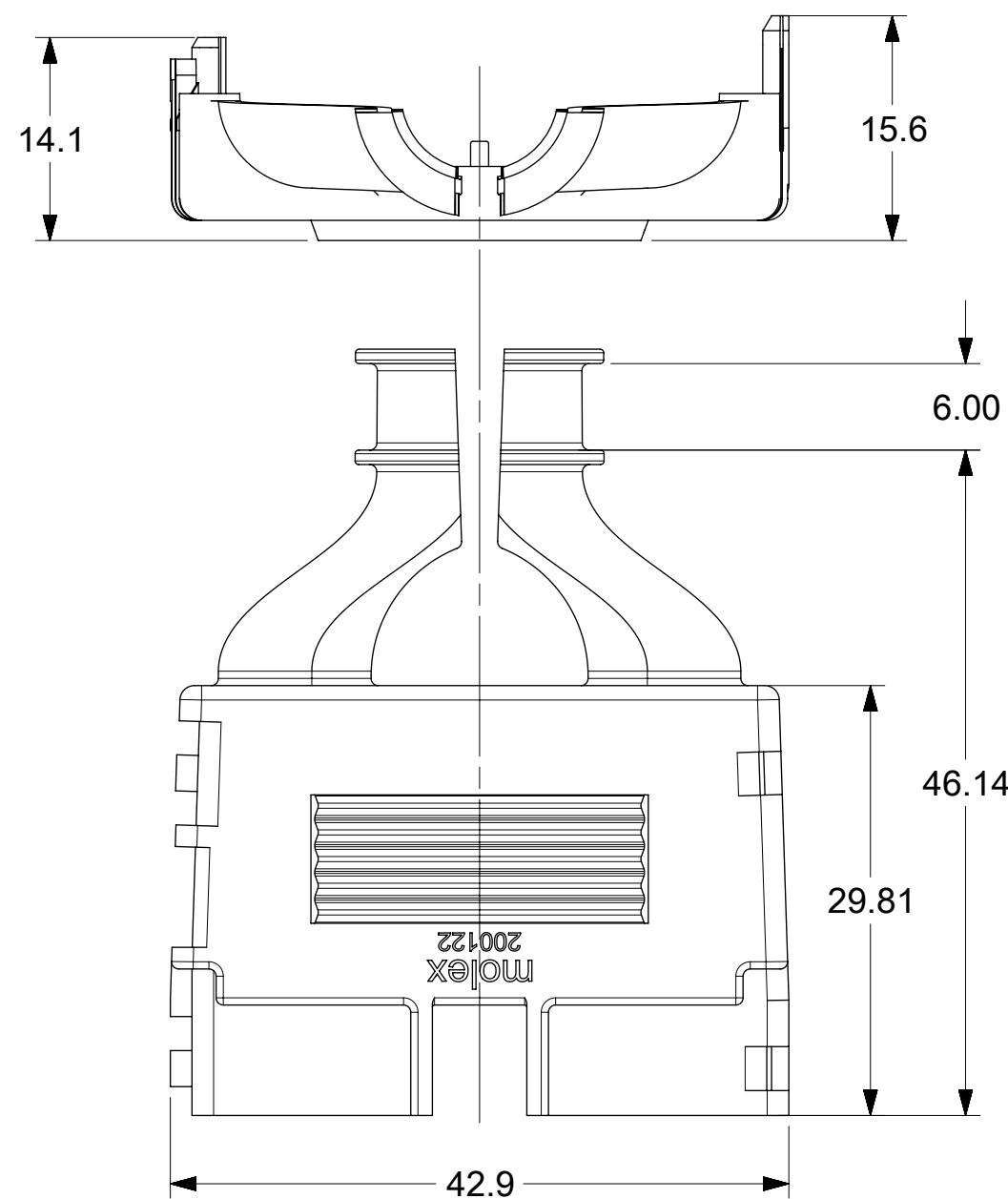
200122 - 0 * * *

PART SERIES

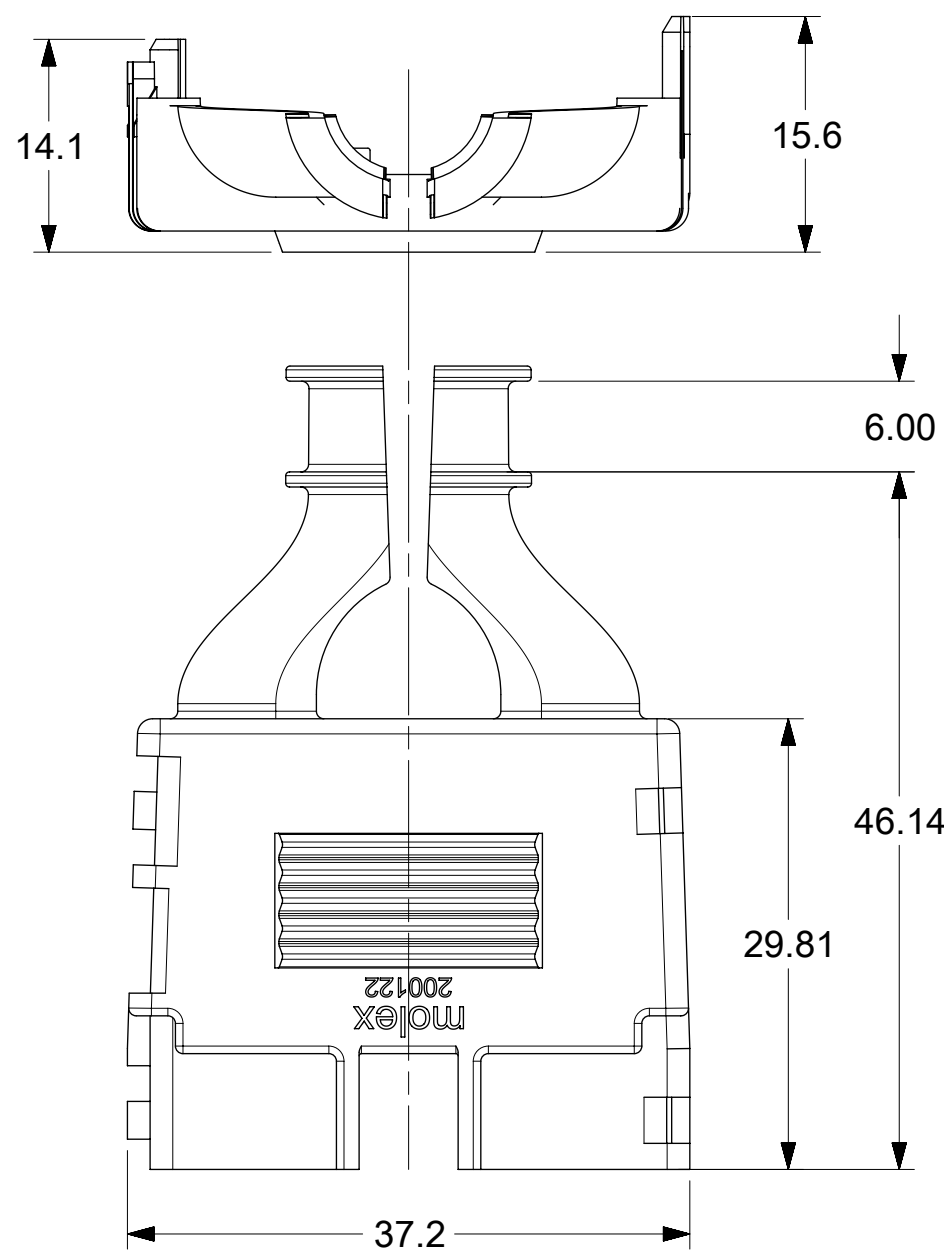
MATERIAL (SEE NOTE 1)

NUMBER OF CKTS (SEE SHEET 2)

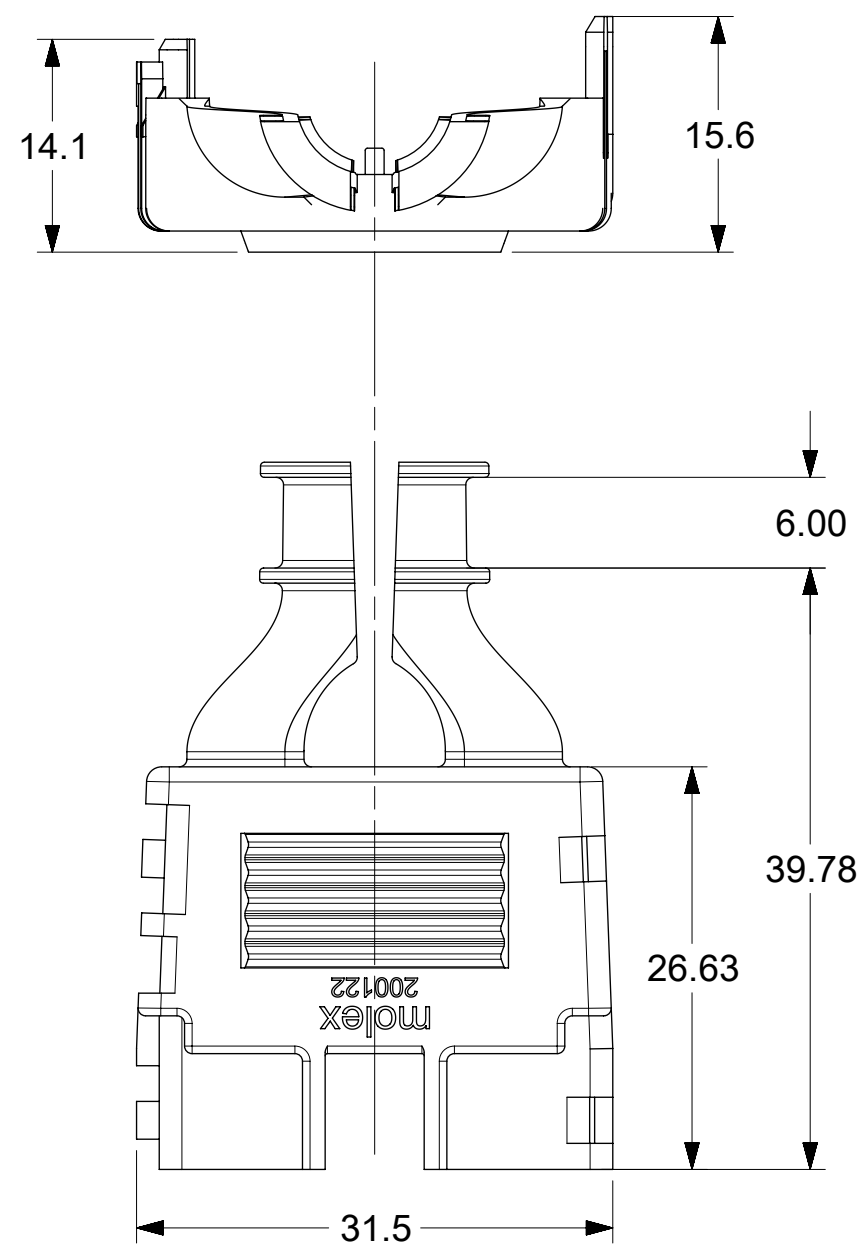
THIS DRAWING CONTAINS INFORMATION THAT IS PROPRIETARY TO MOLEX INCORPORATED AND SHOULD NOT BE USED WITHOUT WRITTEN PERMISSION											
EC DESCRIPTION EC NO: 109352 DRWN: TGREGORI CHK'D: RHOJGE REV: APPR: RHOJGE	QUALITY SYMBOLS	GENERAL TOLERANCES (UNLESS SPECIFIED)	DIMENSION UNITS	SCALE	molex						
	▽ = 0	ANGULAR TOL ± 0.5 °	MM	3:1							
	▽ = 0	4 PLACES ±	DRWN BY	DATE	RECEPTACLE BACKSHELL, DUAL ROW MEGA-FIT						
	▽ = 4	3 PLACES ±	TGREGORI	2015/09/15							
	2 PLACES ± 0.25	CHK'D BY	DATE	PRODUCT CUSTOMER DRAWING							
	1 PLACE ± 0.4	TGREGORI	2015/09/29	SERIES	MATERIAL NUMBER	CUSTOMER					
	0 PLACES ±	APPR BY	DATE	200122	SEE SHEET 2						
A1	DRAFT WHERE APPLICABLE MUST REMAIN WITHIN DIMENSIONS	DRAWING SIZE	THIRD ANGLE PROJECTION	DOCUMENT NUMBER	DOC TYPE	DOC PART	SHEET NUMBER				
		C		2001220000	PSD	000	1 OF 2				



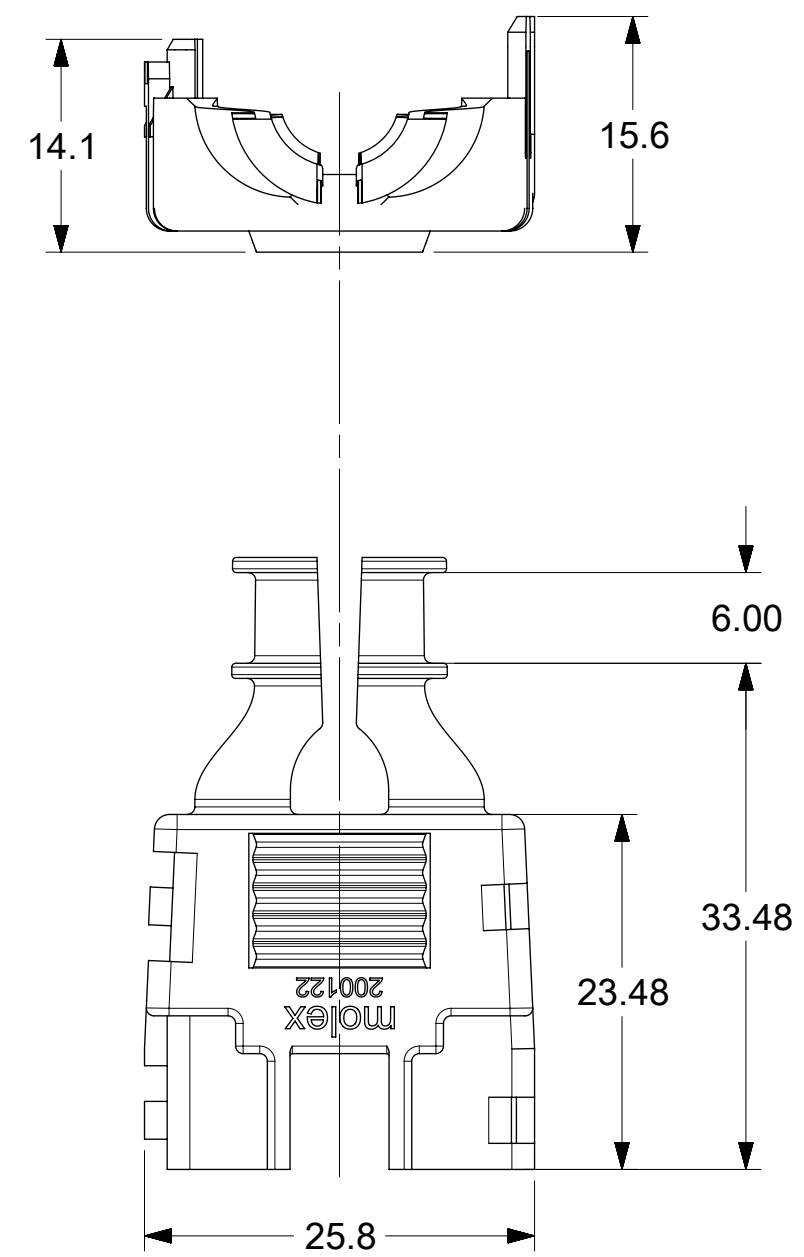
200122-0*12



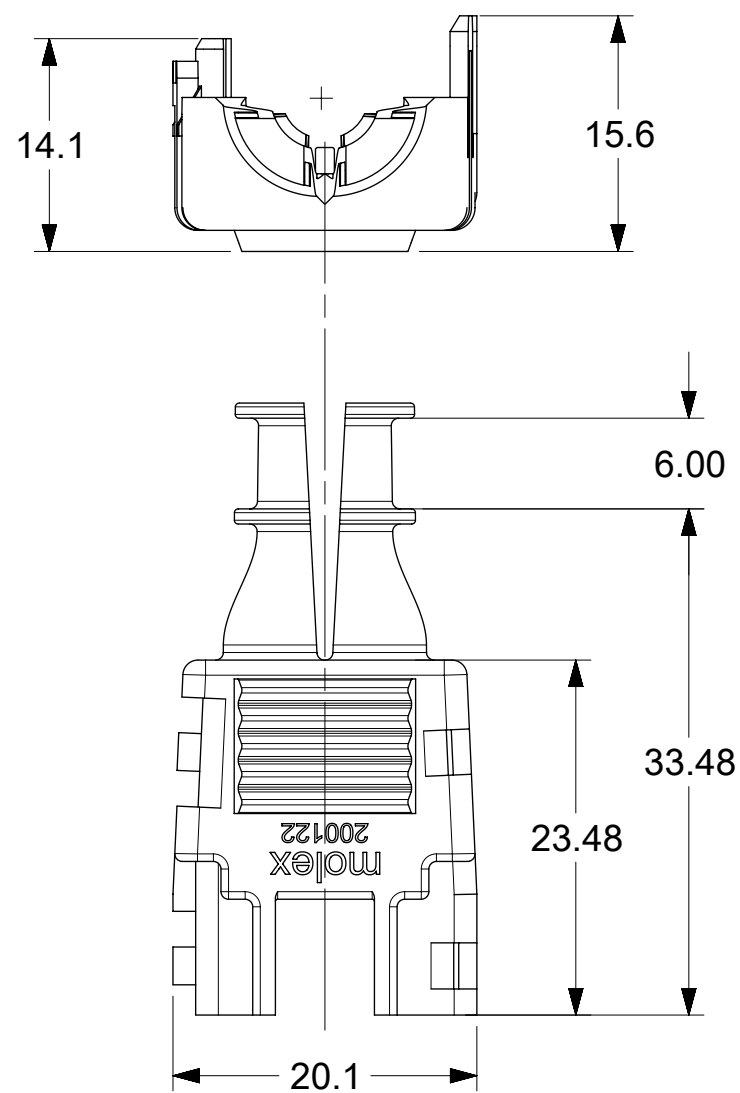
200122-0*10



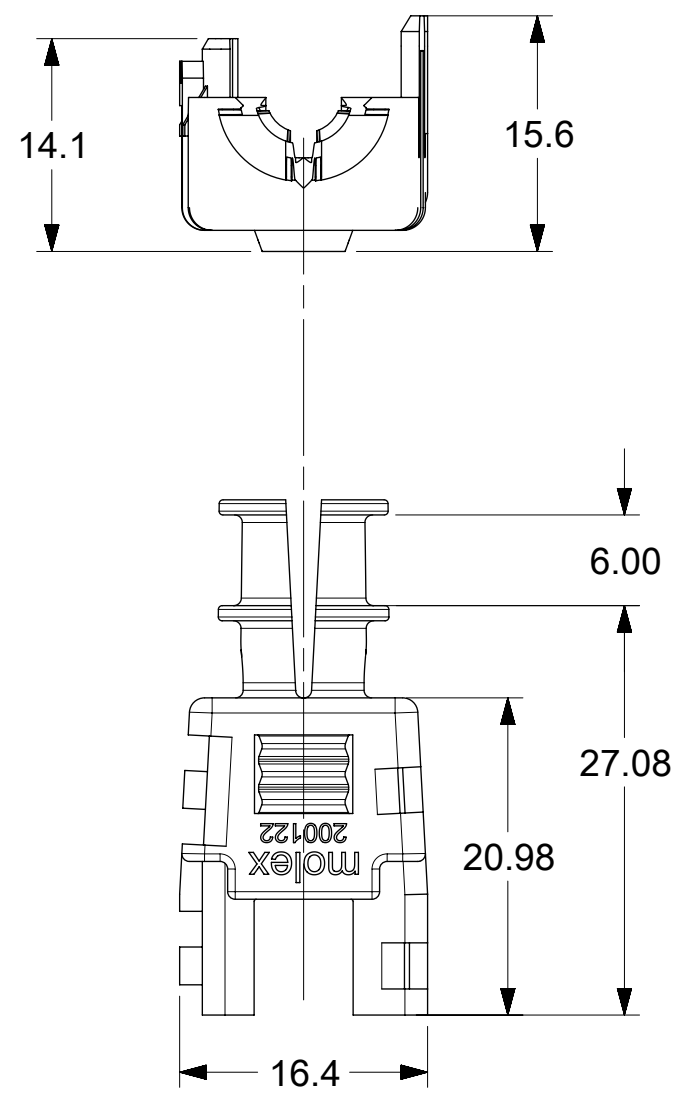
200122-0*08



200122-0*06



200122-0*04



200122-0*02

THIS DRAWING CONTAINS INFORMATION THAT IS PROPRIETARY TO MOLEX INCORPORATED AND SHOULD NOT BE USED WITHOUT WRITTEN PERMISSION											
EC DESCRIPTION EC NO: 109352 DRWN: TGREGORI CHK'D: RHOJGE REV APPR: #	QUALITY SYMBOLS	GENERAL TOLERANCES (UNLESS SPECIFIED)		DIMENSION UNITS	SCALE	molex					
	▽ = 0	ANGULAR TOL ± 0.5 °		MM	1:1						
	▽ = 0	4 PLACES ±	DRWN BY		DATE	RECEPTACLE BACKSHELL, DUAL ROW MEGA-FIT					
	▽ = 4	3 PLACES ±	TGREGORI		2015/09/15						
	2 PLACES ± 0.25	CHK'D BY		DATE	PRODUCT CUSTOMER DRAWING						
	1 PLACE ± 0.4	TGREGORI		2015/09/29							
	0 PLACES ±	APPR BY		DATE	SERIES MATERIAL NUMBER CUSTOMER 200122 SEE SHEET 2						
	DRAFT WHERE APPLICABLE MUST REMAIN WITHIN DIMENSIONS		DRAWING SIZE	THIRD ANGLE PROJECTION							DOCUMENT NUMBER DOC TYPE DOC PART SHEET NUMBER 2001220000 PSD 000 2 OF 2
A1			C								