

Screwdriver - SZS 0,6X3,5 VDE - 1212602

Please be informed that the data shown in this PDF Document is generated from our Online Catalog. Please find the complete data in the user's documentation. Our General Terms of Use for Downloads are valid (<http://phoenixcontact.com/download>)



Screwdriver, slot-headed, VDE insulated, size: 0.6 x 3.5 x 100 mm, 2-component grip, with non-slip grip

Why buy this product

- The tools feature ergonomic two-component safety handles
- Large contact surface of blades inside screw head
- Individually tested safety screwdrivers according to DIN EN 60900 (VDE 0682-201)
- For working on or in the vicinity of live parts up to 1000 V AC or 1500 V DC

Key Commercial Data

Packing unit	10 STK
GTIN	
GTIN	4046356590761

Technical data

Dimensions

Length (b)	181 mm
Width (a)	26 mm
Blade thickness	0.6 mm
Blade width	3.5 mm
Blade height	100 mm
Wrench size	0 mm

General

Type	Bladed
	straight
Material	alloyed tool steel
Test standard	DIN/ISO 2380-1 IEC 60900:2004
Weight	35 g

Standards and Regulations

Test standard	DIN/ISO 2380-1 IEC 60900:2004
---------------	-------------------------------

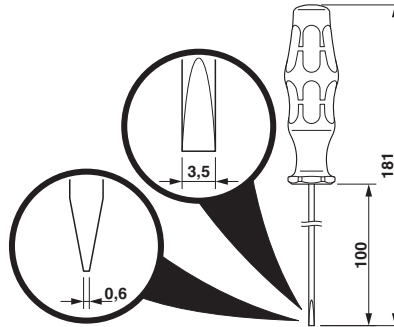
Screwdriver - SZS 0,6X3,5 VDE - 1212602

Drawings

Pictogram



Dimensional drawing



Approvals

Approvals

Approvals

VDE Zeichengenehmigung / EAC

Ex Approvals

Approval details

VDE Zeichengenehmigung		http://www2.vde.com/de/Institut/Online-Service/VDE-gepruefteProdukte/Seiten/Online-Suche.aspx	086858
------------------------	--	---	--------

EAC			RU x- DE.xx08.B.02974
-----	--	--	--------------------------

Phoenix Contact 2018 © - all rights reserved
<http://www.phoenixcontact.com>

PHOENIX CONTACT GmbH & Co. KG
Flachmarktstr. 8
32825 Blomberg
Germany
Tel. +49 5235 300
Fax +49 5235 3 41200
<http://www.phoenixcontact.com>