

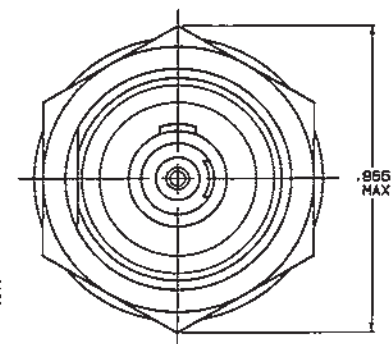
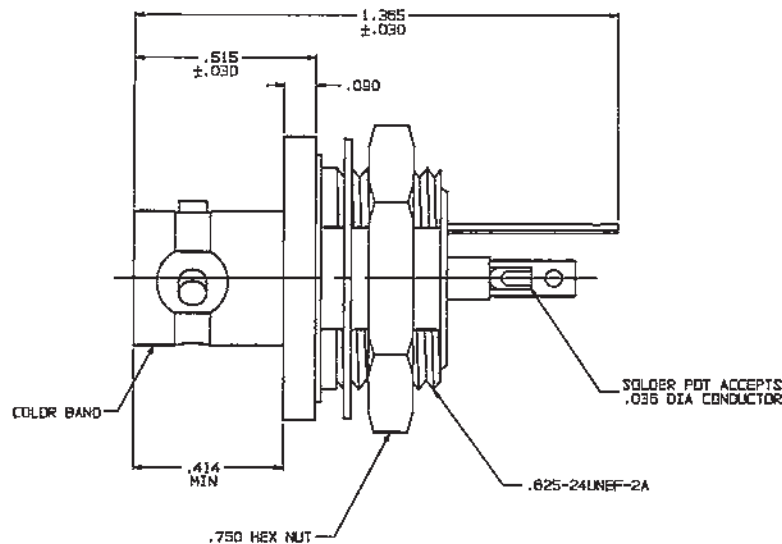
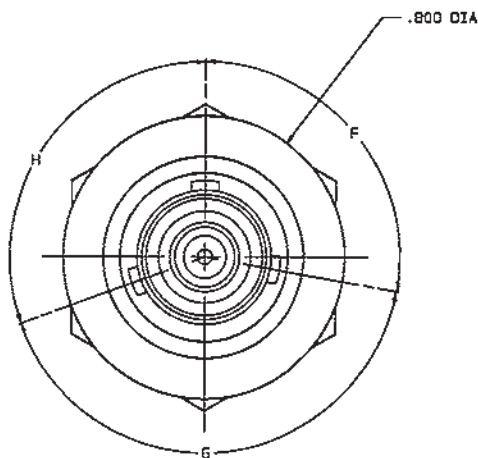
RED INDICATES ORIGINAL

DWG SIZE B DATA CONTAINED IN THIS DOCUMENT IS PROPRIETARY TO TROMPETER ELECTRONICS, INC. AND SHALL NOT BE DISCLOSED, COPIED OR USED FOR PROCUREMENT OR MANUFACTURE WITHOUT EXPRESS WRITTEN PERMISSION.

REVISIONS			1-0160	SH 1
REV	ED	DESCRIPTION	OWN APPROVED	DATE
P	10722	ADDED COLOR BAND LOCATION; SEE EDD	DKC <i>Bm</i> , <i>KV</i>	8/15/94

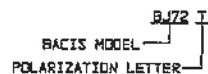
POLARIZATION CHART

KEYING LETTER	F DEGREES	G DEGREES	H DEGREES	COLOR BAND
T	100°	150°	110°	RED
U	120°	130°	110°	ORANGE
V	115°	130°	115°	YELLOW
W	125°	110°	125°	GREEN
X	130°	100°	130°	BLUE
Y	110°	140°	110°	VIOLET
Z	100°	160°	100°	GRAY
S	135°	135°	90°	WHITE
NONE	120°	120°	120°	NONE



-1 SHOWN

5. EXAMPLE OF COMPLETE MODEL NO:

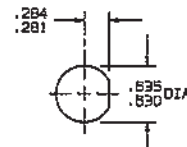


4. MAX PANEL THK .140

3. CONCENTRIC TWINAX/TRIAX TRB INSULATED BULKHEAD MOUNT SOLDER POT RECEPTACLE

2. FINISH: TFS-1A (NICKEL)

1. ALL DIM ARE IN INCHES



RECOMMENDED
PANEL CUTOUT
SCALE: 1/1

INCH	MM
.005	0.13
.030	0.76
.036	0.91
.080	2.29
.140	3.56
.281	7.14
.284	7.21
.414	10.52
.515	13.08
.630	16.00
.635	16.13
.750	19.05
.800	20.32
.885	22.00
1.385	34.87

QTY	DESCRIPTION	PART NUMBER	ITEM
TOL UNLESS SPECIFIED .004 .002 ± .005 .00004 ANGLES	TROMPETER RF connectivity	BJ72	
DWN DKC 7-20-94	MATERIAL	SIDE IDENT	DRAWING NO.
CHK <i>Bm</i> 7-26-94		14849	1-0160
ENGR			REV P
NEXT ASSY	APPR <i>KV</i> 8-2-94	SCALE 4/1	DATE 11/18/88 SHEET 1 OF 2