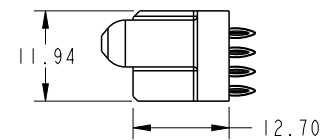
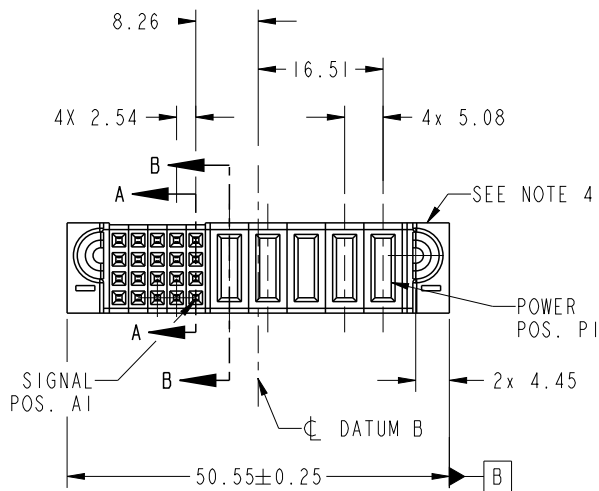


PRODUCT NO.	ROWS	SIGNAL					POWER					E1		
		E2	5	4	3	2	1	P5	P4	P3	P2		P1	
51940-535-- NOTE: 3	D C B A		F	F	F	F	F	F	PC	X	PF	X	PF	

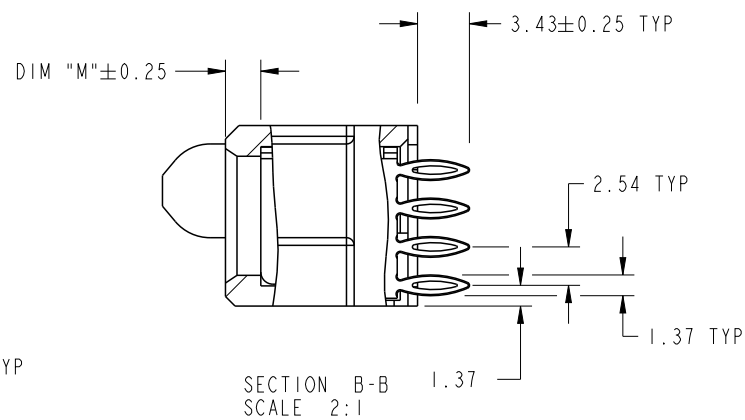
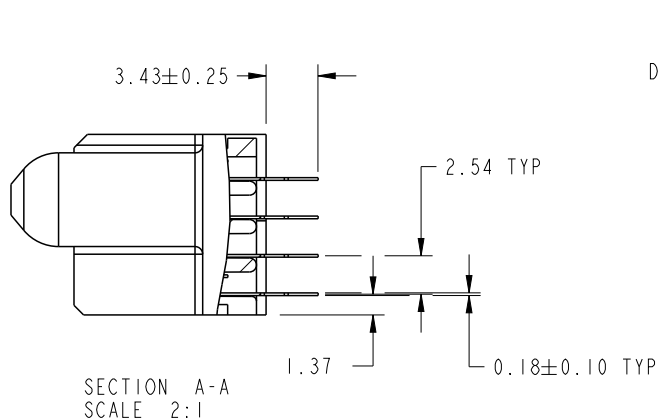


CODE	DIM "M" MATING LENGTH	CONTACT TYPE
PF	[2.34]	POWER
PC	[1.07]	POWER
F	[N/A]	SIGNAL
X	[N/A]	OMITTED

spec ref	*	dr	Ruan MT	2014/05/14	projection	MM	size	A4	scale	1:1				
tolerance std	TOLERANCES UNLESS OTHERWISE SPECIFIED	eng	De-Ming Lu	2014/07/24			ecn no	-						
SEE NOTE		chr	-	-	product family			PwrBlade	rel level	Released				
surface	linear	0.X	±0.5		title	5DCP+20S	dwg no	51940-535	rev	A				
		0.XX	±0.25							www.fci.com	cat. no.	*	Product - Customer Drw	sheet 1 of 4
	angular	0°	±2°											

PRODUCT NUMBER

51940-535\_\_  
NOTE: 3



Copyright FCI.

dr	Ruan MT	2014/05/14	projection 	MM ←————→	size	A4	scale	1:1			
eng	De-Ming Lu	2014/07/24			ecn no	-					
chr	-	-			product family	PwrBlade	rel level	Released			
appr	Pei-Ming Zheng	2014/07/24			title	5DCP+20S		dwg no	51940-535	rev	A
www.fci.com		cat. no.	*	Product - Customer Drw			sheet 2 of 4				



PRODUCT NUMBER

51940-535\_\_  
NOTE: 3

NOTES:

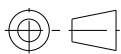
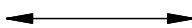

1. DIMENSIONS AND TOLERANCES ARE IN ACCORDANCE WITH ASME Y14.5M, 1994 UNLESS OTHERWISE SPECIFIED.

CONNECTOR NOTES:

- ② HOUSING MATERIAL: UL 94 V-0 GLASS FILLED HIGH-TEMP THERMOPLASTIC  
POWER CONTACT MATERIAL: COPPER ALLOY  
SIGNAL PIN MATERIAL: COPPER ALLOY
- 3. SEE ITEM 7 & 8 IN PRINT 10064183 FOR PLATING SPEC OF 51940-535 AND 51940-535LF RESPECTIVELY.
- ④ MANUFACTURER'S NAME, DATE CODE AND OPTIONAL P/N TO APPEAR ON THIS SURFACE. THE MARK CAN BE OMITTED IF THERE IS NOT ENOUGH SPACE ON THIS SURFACE.
- 5. PRODUCT SPECIFICATION GS-12-149.  
APPLICATION SPECIFICATION BUS-20-067.
- 6. PACKAGED IN TRAYS.
- PCB NOTES:
- 7. ALL HOLE DIAMETERS ARE FINISHED HOLE SIZE.
- ⑧ MOUNTING HOLES, WHERE APPLICABLE, ARE UNPLATED.
- ⑨  $\varnothing 1.151 \pm 0.025$  DRILLED HOLES PLATED WITH  
0.008 MIN SnPb OR Sn OVER 0.03  
TO 0.08 Cu PLATING TO ACHIEVE  
 $\varnothing 1.02 \pm 0.07$  HOLE.
- 10. CONNECTOR KEEP-OUT ZONE.



Copyright FCI.

dr	Ruan MT	2014/05/14	projection 	MM 	size	A4	scale	1:1
eng	De-Ming Lu	2014/07/24			ecn no	-		
chr	-	-			rel level	Released		
appr	Pei-Ming Zheng	2014/07/24	product family	PwrBlade	rev	51940-535	A	
		title	5DCP+20S VERTICAL PF RECEPT		cat. no.	Product - Customer Drw	sheet 4 of 4	