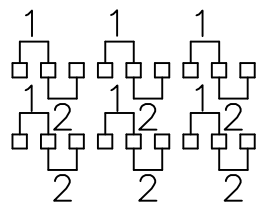
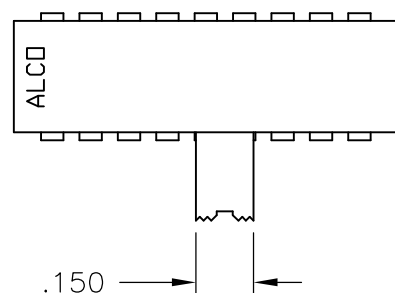


THIS DRAWING IS UNPUBLISHED. RELEASED FOR PUBLICATION  
 © COPYRIGHT - BY TYCO ELECTRONICS CORPORATION. ALL RIGHTS RESERVED.

LOC	DIST	REVISIONS					
AD	00	P	LTR	DESCRIPTION	DATE	DWN	APVD
			C1	REVISED PER ECO-05-013282	12/18/07	SS	MS



6PDT  
CIRCUIT DIAGRAM

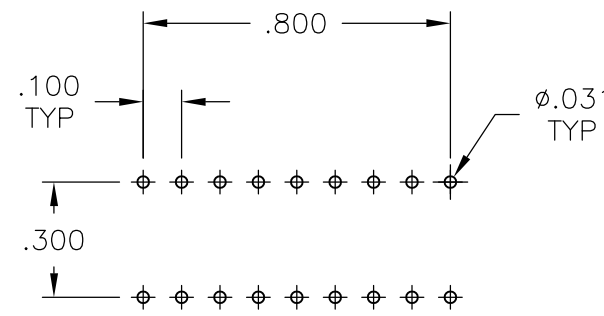
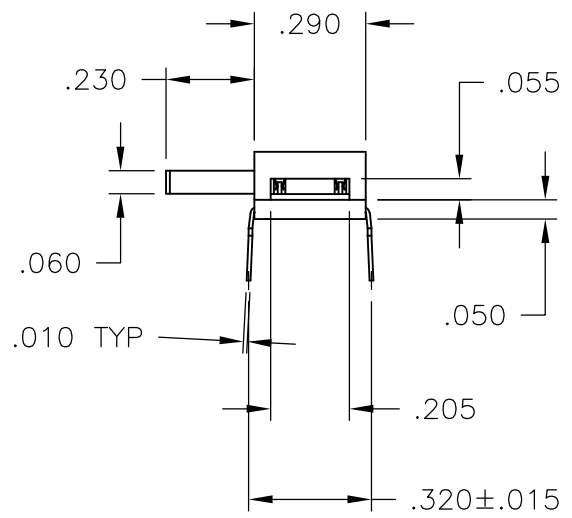
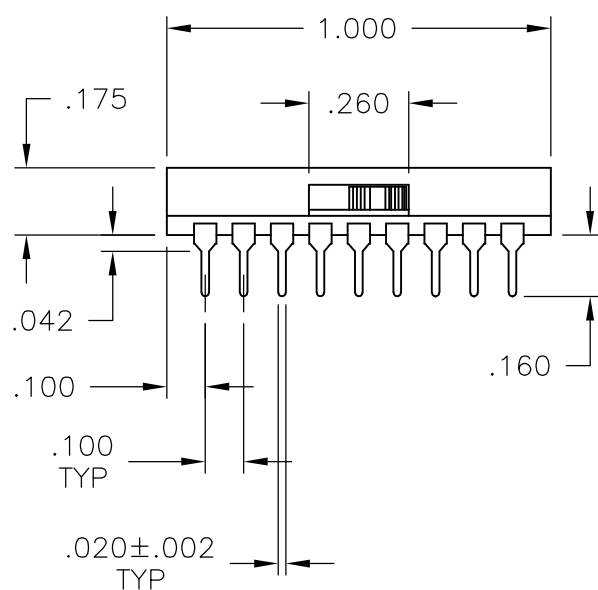
Materials:  
 BASE/COVER-PCT UL94V-0, BLACK  
 ACTUATOR-NYLON PA46 UL94V-0, NATURAL  
 MOVING CONTACT-COPPER ALLOY, SILVER OVER NICKEL  
 FIXED CONTACT-COPPER ALLOY, SILVER OVER NICKEL  
 TERMINAL-COPPER ALLOY, TIN/LEAD OVER NICKEL OR TIN OVER NICKEL

Electrical:  
 Contact Rating, 300 milliamp @ 115V AC Per EIA-448, Method 6  
 Contact resistance, 40 milliohms max @ 100mA 2-4V DC, Per EIA-364-23B, each position  
 Insulation Resistance, 1000 Megohm Min @ 500V DC, Per EIA-364-21C each position  
 Dielectric strength, 600 V RMS@ Sea level, Per EIA-364-20B, Condition 1, each position  
 Life Expectancy, Electrical, 15,000 cycles @ full load

Mechanical:  
 Actuation force, 800 grams max  
 Actuation Travel, .100 +/- .010  
 Life Expectancy, 15,000 cycles

Environmental:  
 Operating Temperature, -40 to +80 degrees C, Per EIA 448, Method 10  
 Storage Temperature, -40 to +80 degrees C  
 Humidity and Temperature Cycling Per EIA-364-31B, Method III  
 Solderability, Per EIA-364-52, Class 2, Category 1, 95% Minimum coverage  
 Resistance to Solder Heat, Per 109-202, Condition B  
 Process cleaning-will withstand aqueous or solvent cleaning processes

- NOTES:  
 1. PARTS TO BE PACKAGED IN 22 INCH TUBES.  
 2. ALL MATERIALS AND FINISHES SHALL COMPLY WITH EU DIRECTIVE 2002/95/EC OF 27JAN2003 (ROHS)



P.C.B. LAYOUT

2	ASE7125604	1825468-1
-	ASE71256	5-1437581-4
NOTES	T&B NUMBER	PART NUMBER

THIS DRAWING IS A CONTROLLED DOCUMENT.		DWN	M.BINNER	02AUG04	Tyco Electronics Corporation Harrisburg, Pa 17105-3608				
DIMENSIONS: INCHES		CHK	M.SARVER	02AUG04	NAME SPECIAL ASE PC MOUNTING				
TOLERANCES UNLESS OTHERWISE SPECIFIED:		APVD	M.SARVER	02AUG04	PRODUCT SPEC				
0 PLC ± -		APPLICATION SPEC		SIZE			CAGE CODE	DRAWING NO	RESTRICTED TO
1 PLC ± -		-		A3			00779	C-5-1437581-4	-
2 PLC ± -		-		CUSTOMER DRAWING			SCALE	SHEET	OF
3 PLC ± .010		-		-			2:1	1	1
4 PLC ± -		-		-			REV		
ANGLES ± 1°		-		-			C1		
MATERIAL		FINISH		-		-			