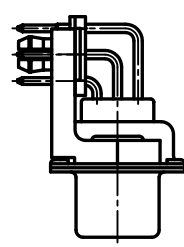
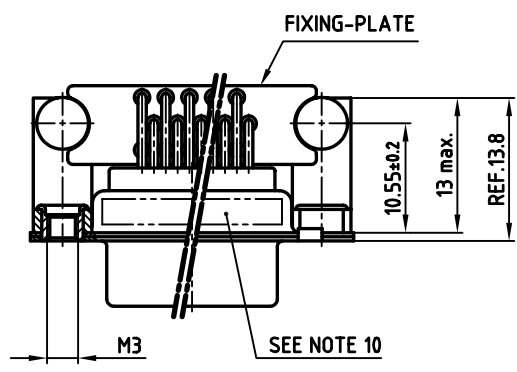
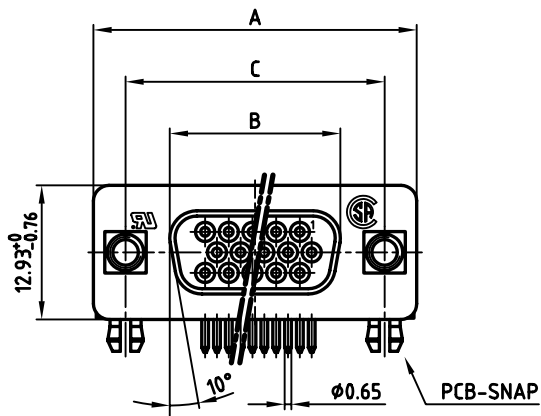
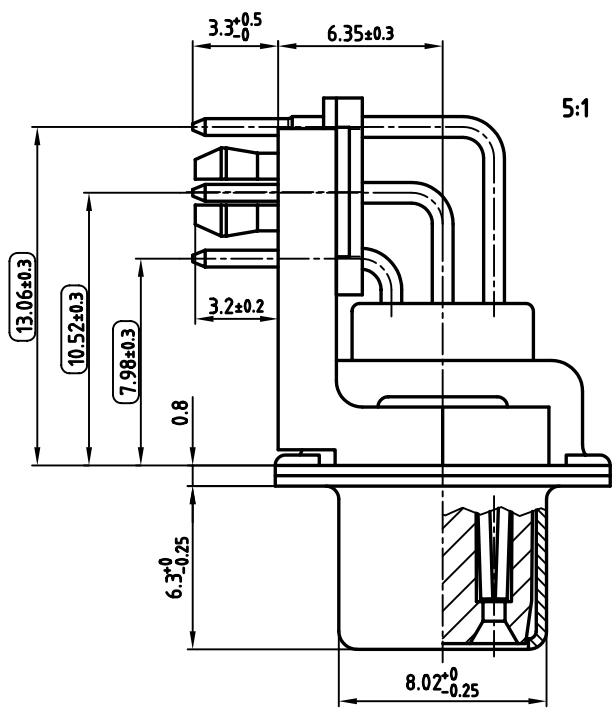


used for: D-SUB HD

POS.	A ^{-0.76}	B ^{-0.25}	C	Part NO.
15	31.19	16.46	25.00 ^{+0.12} / _{-0.13}	164A18219X
26	39.52	24.79	33.30 ^{+0.15} / _{-0.1}	164A18229X
44	53.42	38.50	47.04 ^{+0.13}	164A18239X
62	69.70	54.96	63.50 ^{+0.13}	164A18249X



NOTES:

- METALSHELLS: STEEL; min. 320µ" TIN
- INSULATORS: PBT GF UL 94 V-0, BLACK
- CONTACTS: COPPER ALLOY
PLATING: 8µ" HARD GOLD OVER min. 50µ" NICKEL
- METAL BRACKET: DIE-CASTING; min. 320µ" TIN over 80µ" NICKEL
- THREADED INSERT: COPPER ALLOY; min. 200µ" TIN over 80µ" NICKEL
- PCB-SNAP: COPPER ALLOY; min. 200µ" TIN over 80µ" NICKEL
PCB-HOLE: $\phi 3.1 \pm 0.1$; PCB THICKNESS 1.6mm
- FIXING-PLATE: PBT GF UL 94 V-0, BLACK
- P.C.B. HOLE DRILLINGS ON SHEET 2
- MAXIMUM TORQUE VALUE FOR THREAD: 6" LBS
- CONNECTOR IS PART MARKED: PART-NÖ. CONEC ABC
- = CHECK DIMENSION

Directive 2002/95/EC
RoHS
Compliant

APPROVAL * FREIGABE * DEBLOCAGE * AUTORIZACION * APPROVAL	
CUSTOMER APPROVAL DATE:	
NAME:	TITLE:
COMPANY NAME:	
APPROVAL * FREIGABE * DEBLOCAGE * AUTORIZACION * APPROVAL	

THIS DRAWING MAY NOT BE COPIED OR REPRODUCED IN ANY WAY, AND MAY NOT BE PASSED ON TO A THIRD PARTY, WITHOUT WRITTEN PERMISSION.
OWNERSHIP AND COPYRIGHT OF CONEC GmbH
DO NOT ALTER CAD DRAWING BY HAND

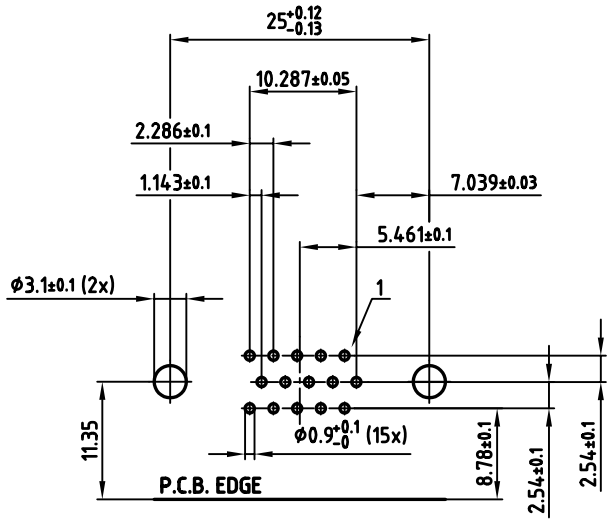
rev.	description	date	name
a	Origin		

tolerance			scale:	2:1 (5:1)
dim. in mm			material:	SEE NOTES
2006	date	name	title:	
drawn	24.01.	Lehmenkühler	D-SUB HD FEMALE 90° 15-62pos. 0.350inch threaded insert, metal bracket, fixing-plate, clip	
appd.	24.01.	Mickenbecker		
norm	DIN 41652			
d-old			dwg no:	AutoCAD 2004
				DIN-A
				3
				sh:1/2

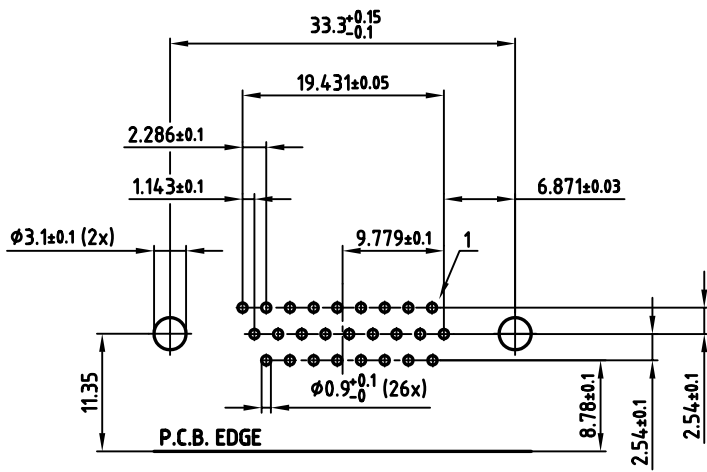


part no: SEE TABLE

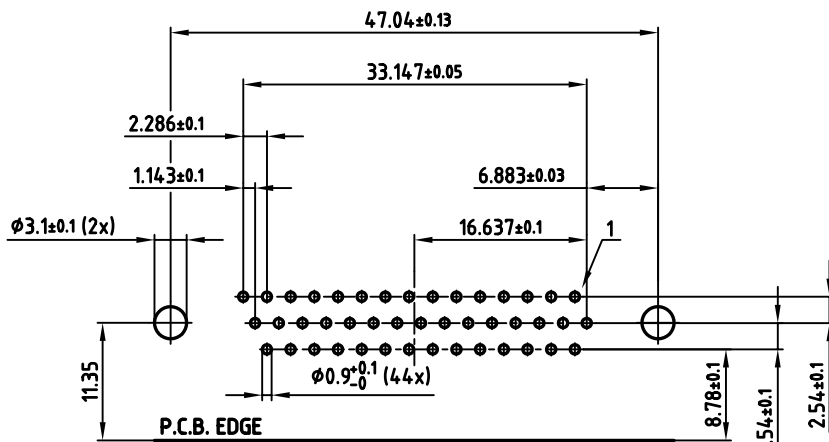
used for: D-SUB HD



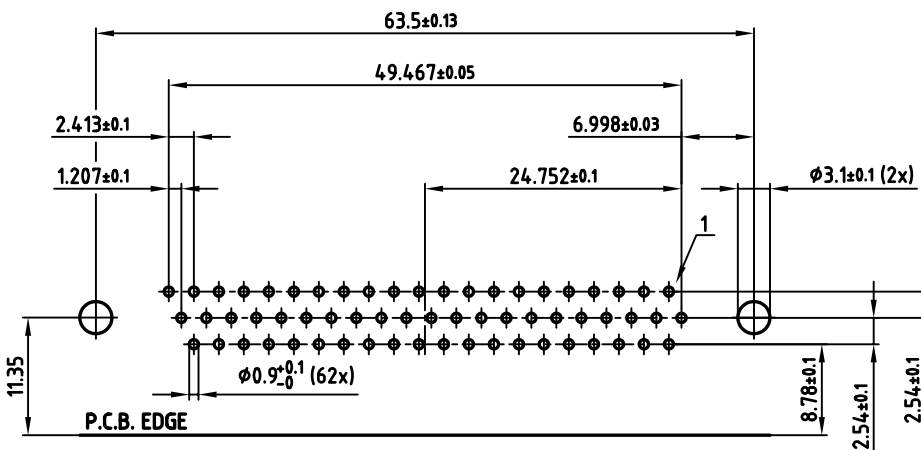
15pos.



26pos.



44pos.



62pos.

APPROVAL # FREIGABE # DEBLOCAGE # AUTORIZACION # APPROVAL

CUSTOMER APPROVAL DATE:

NAME: TITLE:

COMPANY NAME:

APPROVAL # FREIGABE # DEBLOCAGE # AUTORIZACION # APPROVAL

THIS DRAWING MAY NOT BE COPIED OR REPRODUCED IN ANY WAY, AND MAY NOT BE PASSED ON TO A THIRD PARTY, WITHOUT WRITTEN PERMISSION. OWNERSHIP AND COPYRIGHT OF CONEC GmbH DO NOT ALTER CAD DRAWING BY HAND

rev.	description	date	name
a	Origin		

tolerance	dim. in mm
2006	date
drawn	24.01. Lehmenkühler
appd.	24.01. Mickenbecker
norm	
d-old	

scale: 2:1

material: SEE SHEET 1

title: P.C.B. HOLE DRILLINGS

D-SUB HD FEMALE 90° 15-62pos. 0.350inch threaded insert, metal bracket, fixing-plate, clip

dwg no: AutoCAD 2004 DIN-A

16K1A1709 3 sh:2/2

part no: SEE SHEET 1