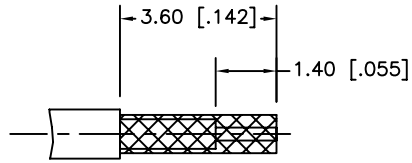
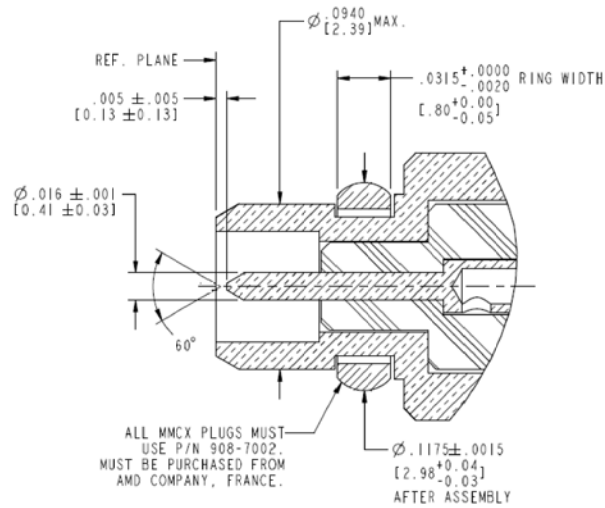
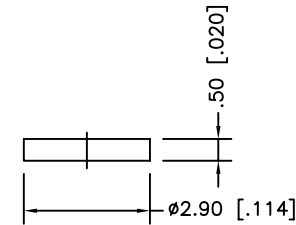
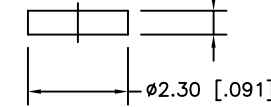
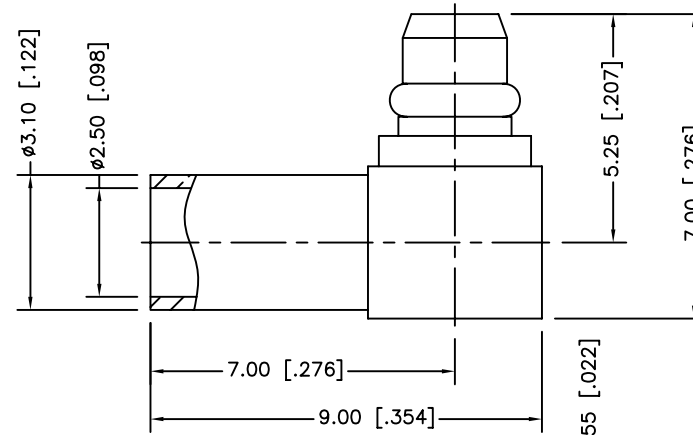
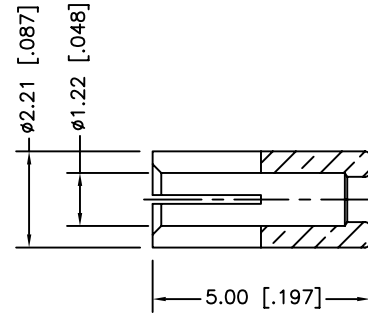


REV.	DATE	ECR NO.	DESCRIPTION
NC	01/15/10	XXXXXX	INITIAL RELEASE
A	08/27/12	2366	ADD INTERFACE DIMENSIONS, UPDATE DRAWING FORMAT



RECOMMENDED
CABLE STRIPPING DIM'S



ALL MMCX PLUGS MUST
USE P/N 908-7002.
MUST BE PURCHASED FROM
AMD COMPANY, FRANCE.

PLUG ASSEMBLY

NOTE:

1. IMPEDANCE: 50 OHM
2. FREQUENCY RANGE: 0-6 GHz
3. DIELECTRIC WITHSTANDING VOLTAGE: 250 VRMS. MIN
4. DURABILITY: 500 CYCLES MIN.
5. TEMPERATURE RANGE: -65°C TO +165°C
6. CRIMPED FERRULE
HEX. CRIMP SIZE .105"
7. SOLDER CENTER CONTACT

DESCRIPTION	MATERIAL	FINISH	QTY	
7	INSULATOR	PTFE	NATURAL	1
6	COVER	BRASS	GOLD	1
5	INNER FERRULE	BRASS	GOLD	1
4	RETAINER RING	BER. COPPER	GOLD	1
3	CONTACT PIN	BRASS	GOLD	1
2	INSULATOR	PTFE	NATURAL	1
1	BODY WITH HOUSING	BRASS	GOLD	1

UNLESS OTHERWISE SPECIFIED DIMENSIONS ARE IN MILLIMETERS. DIMENSIONS IN [] ARE IN INCHES AND FOR CUSTOMER REFERENCE ONLY.
UNLESS OTHERWISE SPECIFIED TOLERANCES FOR MILLIMETERS ARE: 0.5 - 8mm ± 0.20mm 8 - 30mm ± 0.40mm 30 - 120mm ± 0.50mm
UNLESS OTHERWISE SPECIFIED TOLERANCES FOR INCHES ARE: .020 - .315 = ± 0.007" .315 - 1.180 = ± 0.015" 1.180 - 4.724 = ± 0.020"
DO NOT SCALE DRAWING

APPROVALS	DATE
DRAWN M.ZHANG	01/15/10
CHECKED	
ISSUED	
SHEET 1 OF 1	
CAD FILE	C:/CONNEX/262138.DWG

<h1>Amphenol Connex</h1>			
PART DESCRIPTION MMCX R/A CRIMP PLUG (FOR 1.13mm CABLE)			
PART NO. 262138			
DWG. NO.	262138.DWG	REV. A	SCALE NA