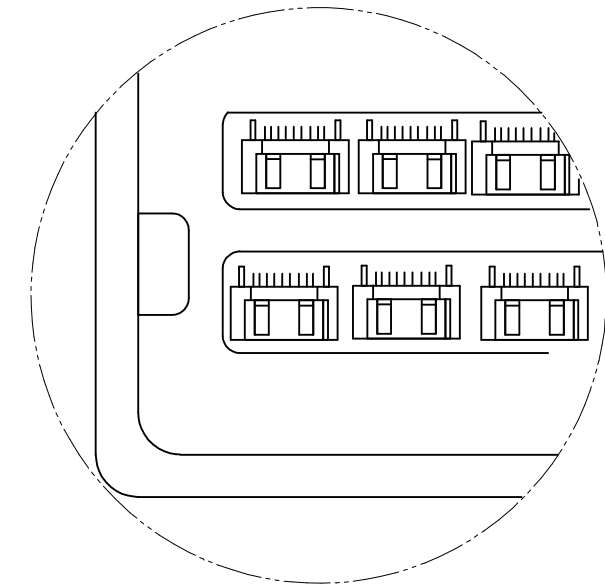
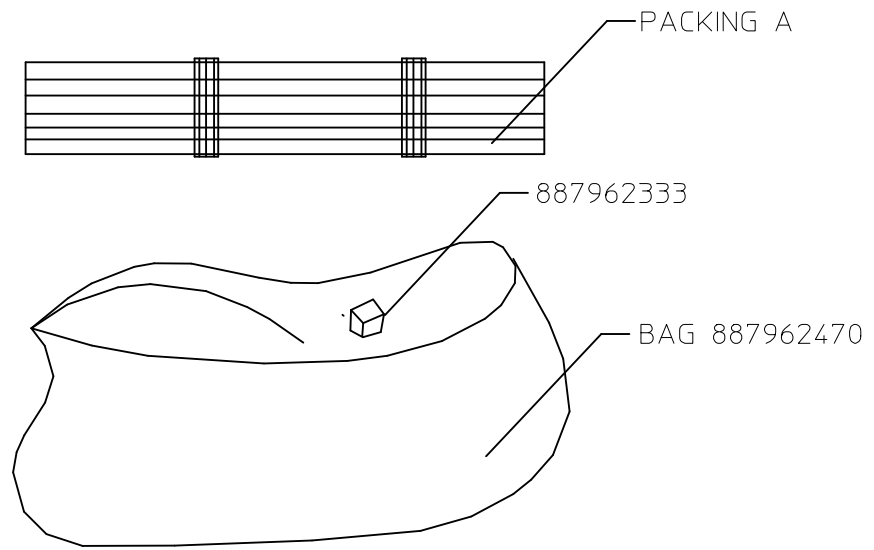
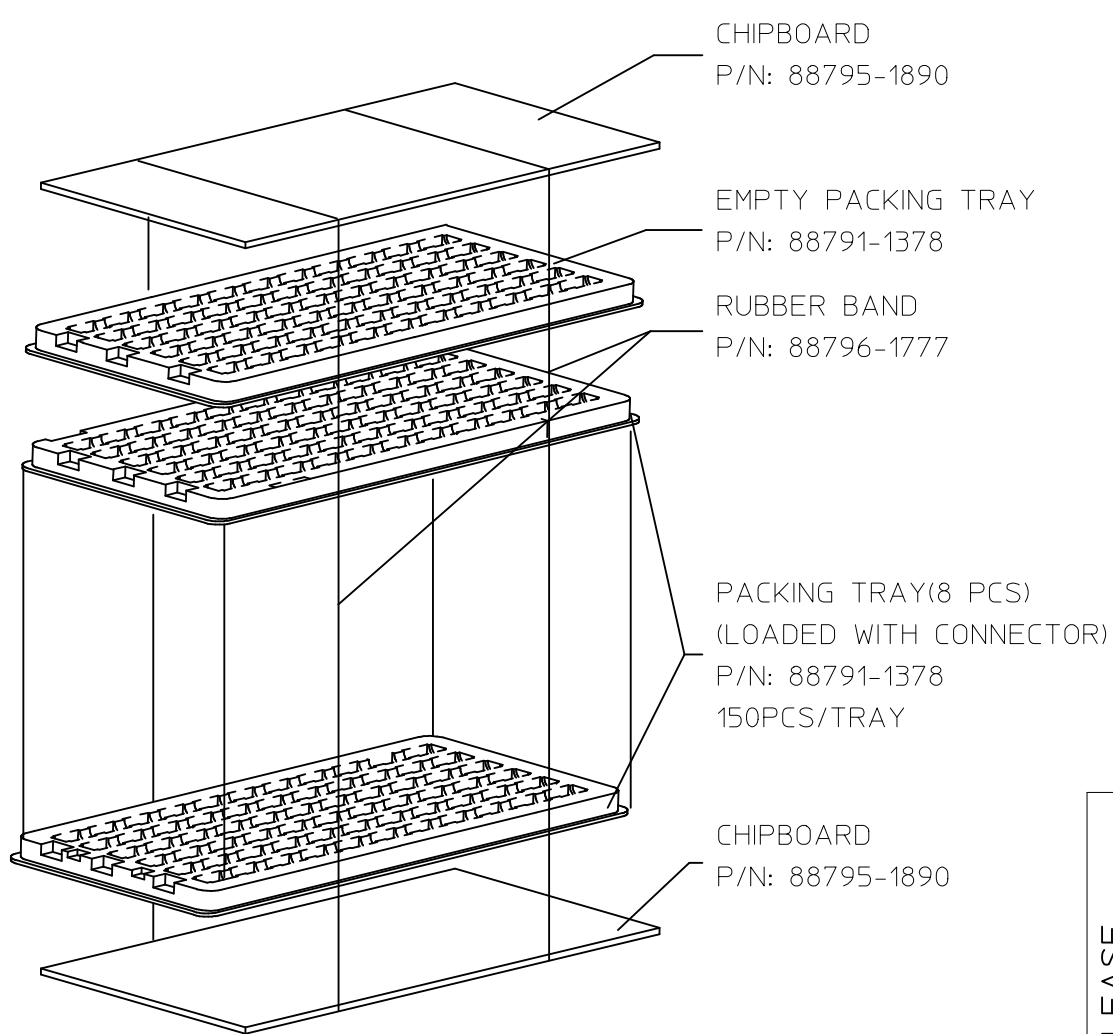


Detail1

PER TRAY QUANTITY: 19x7+17=150PCS



Detail1



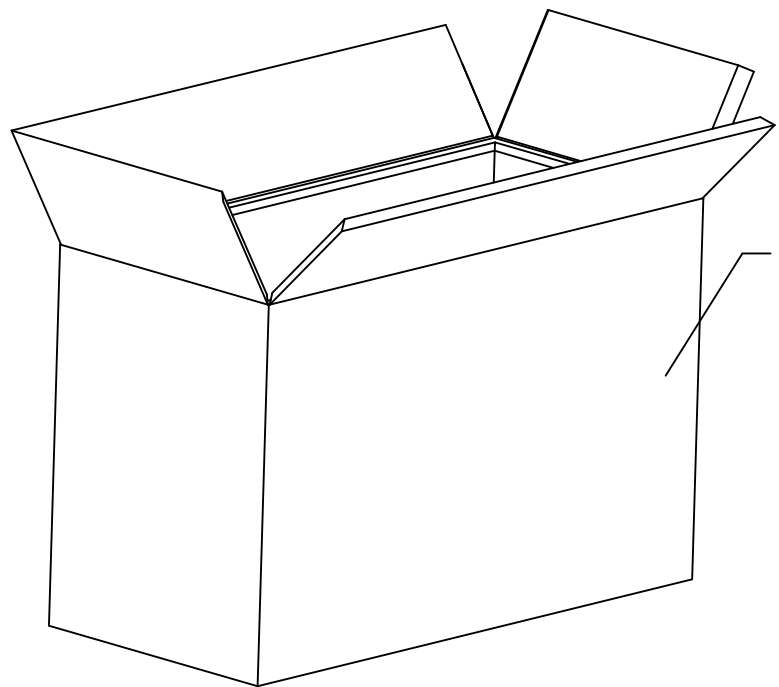
CHIPBOARD
P/N: 88795-1890

EMPTY PACKING TRAY
P/N: 88791-1378

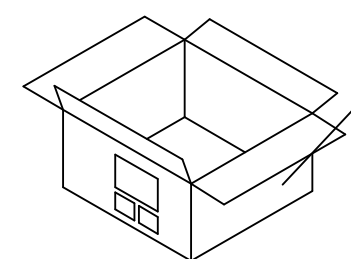
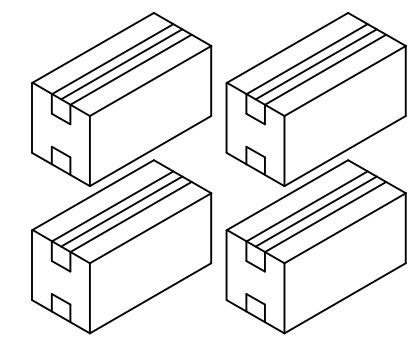
RUBBER BAND
P/N: 88796-1777

PACKING TRAY(8 PCS)
(LOADED WITH CONNECTOR)
P/N: 88791-1378
150PCS/TRAY

CHIPBOARD
P/N: 88795-1890



INNER BOX
P/N: 96707-0003
1200 PCS PER BOX



OUTER CARTON
P/N: 96708-0005
4 BOXES PER CARTON

PRODUCT P/N		QUANTITY PER TRAY	QUANTITY PER INNER BOX	QUANTITY PER OUTER CARTON
67800-10**	67800-30**	150 PCS	8X150=1200PCS	4X1200=4800PCS
67800-31**	67800-40**			
67800-41**	67800-50**			
67800-70**	67800-71**			
67800-80**	67800-81**			

NEW RELEASE
EC NO: S2017-0409
DRWN:DBFAN 2017/03/10
CHKD:JKACHL IC 2017/03/10
APPR:JKACHL IC 2017/03/10

QUALITY SYMBOLS
▽=0
▽=0

GENERAL TOLERANCES (UNLESS SPECIFIED)

	mm	INCH
4 PLACES	± ---	± ---
3 PLACES	± ---	± ---
2 PLACES	± 0.5	± ---
1 PLACE	± 0.5	± ---

ANGULAR ± 3 °

DRAFT WHERE APPLICABLE
MUST REMAIN
WITHIN DIMENSIONS

DIMENSION STYLE
MM ONLY

DRAWN BY	DATE
BCHEN26	2005/12/07
CHECKED BY	DATE
GRATE	2005/12/07
APPROVED BY	DATE
GCHEN	2005/12/07

MATERIAL NO.
SEE TABLE

SCALE
5:1

DESIGN UNITS
METRIC

THIRD ANGLE PROJECTION

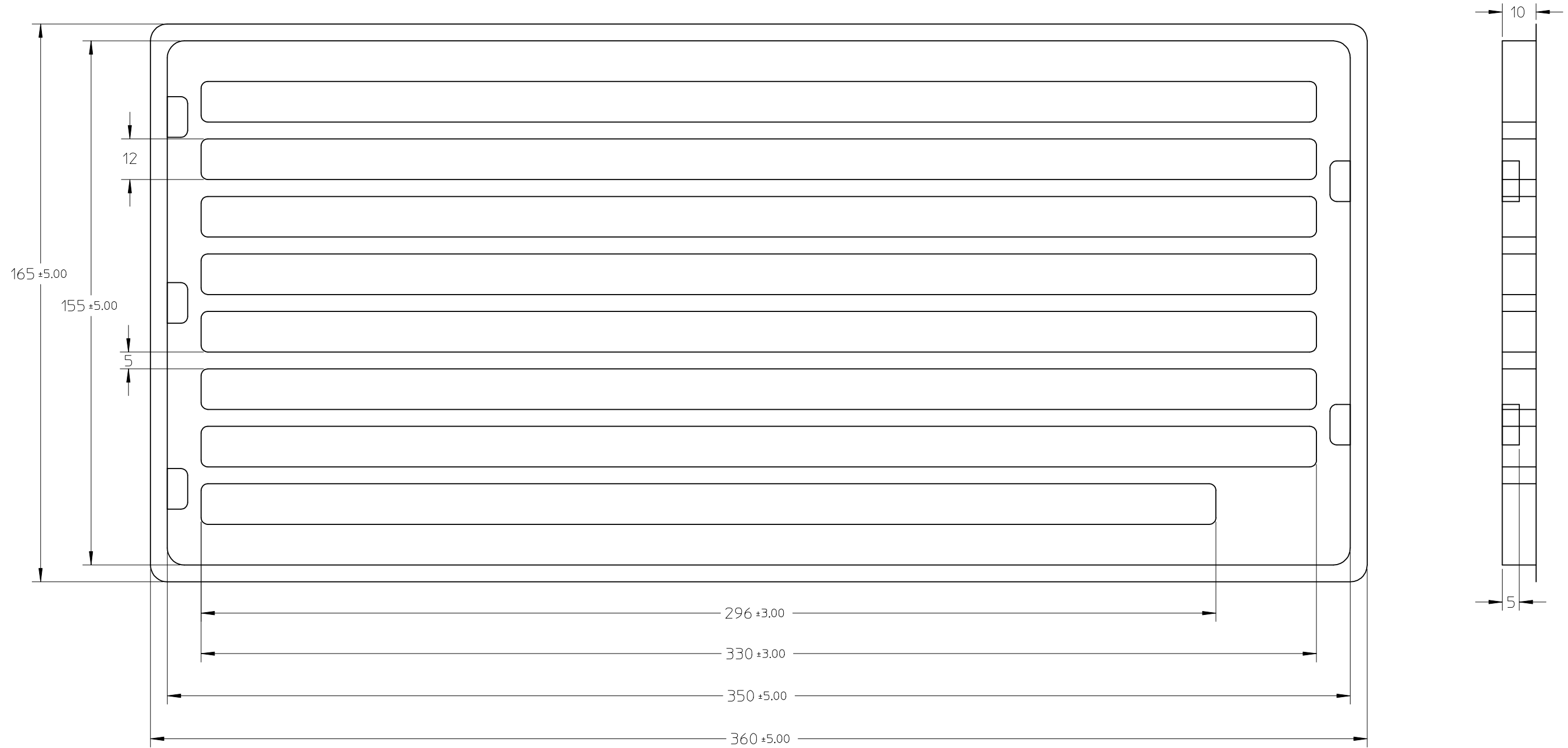
TITLE
SERIAL ATA VERTICAL
DIP SOLDERING TAIL
PACKING SPECIFICATION

MOLEX INCORPORATED

DOCUMENT NO.
PK-67800-001

SHEET NO.
1 OF 2

THIS DRAWING CONTAINS INFORMATION THAT IS PROPRIETARY TO MOLEX INCORPORATED AND SHOULD NOT BE USED WITHOUT WRITTEN PERMISSION



NOTES;
 1. MATERIAL OF TRAY; PS, COLOR IS WHITE, THICKNESS: 0.8MM
 2. TOLERANCE: ±1MM

NEW RELEASE EC NO: S2017-0409 DRWN: DBFAN 2017/03/10 CHKD: JKACHLIC 2017/03/10 APPR: JKACHLIC 2017/03/10	REV DESCRIPTION	QUALITY SYMBOLS	GENERAL TOLERANCES (UNLESS SPECIFIED)		DIMENSION STYLE MM ONLY		SCALE 5:1	DESIGN UNITS METRIC	THIRD ANGLE PROJECTION		
		▼=0	mm	INCH	DRAWN BY BCHEN26	DATE 2005/12/07	TITLE SERIAL ATA VERTICAL DIP SOLDERING TAIL PACKING SPECIFICATION				
		∇=0	4 PLACES ± ---	± ---	CHECKED BY GRATE	DATE 2005/12/07					
			3 PLACES ± ---	± ---	APPROVED BY GCHEN	DATE 2005/12/07	MOLEX INCORPORATED				
			2 PLACES ± 0.5	± ---	MATERIAL NO. SEE SHEET1	DOCUMENT NO. PK-67800-001					
	1 PLACE ± 0.5	± ---	DRAFT WHERE APPLICABLE MUST REMAIN WITHIN DIMENSIONS		THIS DRAWING CONTAINS INFORMATION THAT IS PROPRIETARY TO MOLEX INCORPORATED AND SHOULD NOT BE USED WITHOUT WRITTEN PERMISSION						