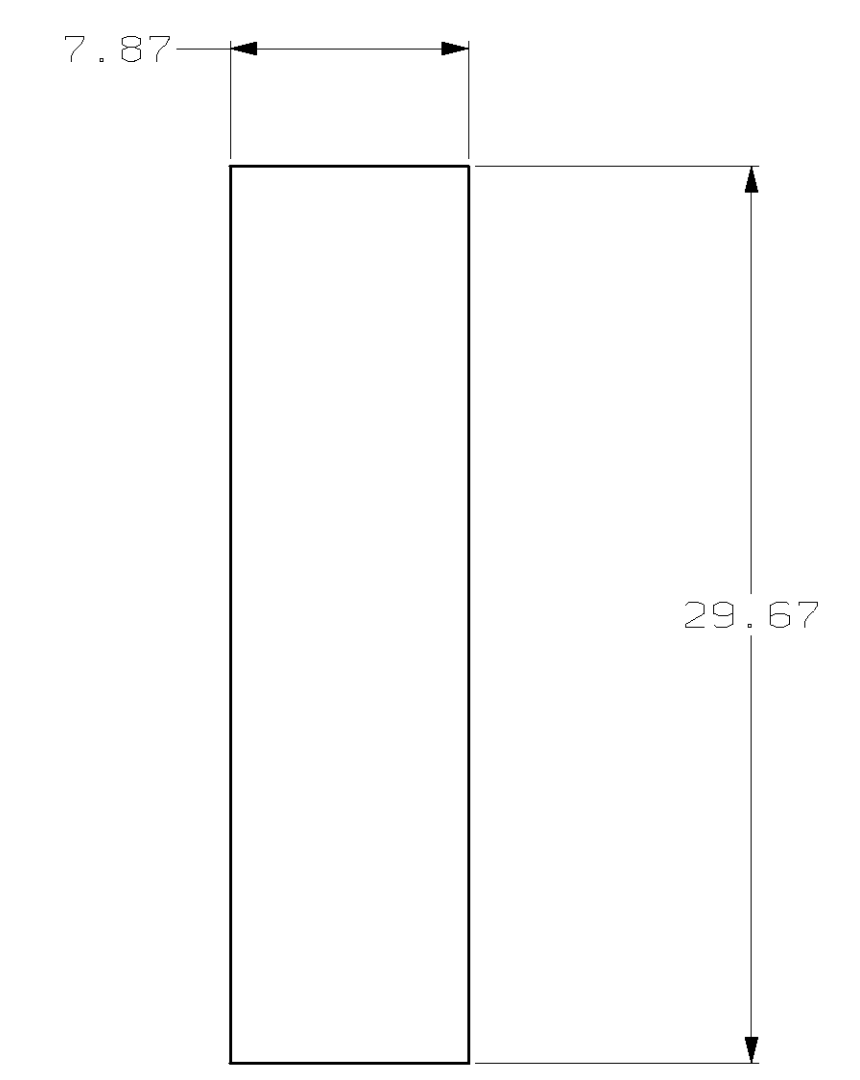
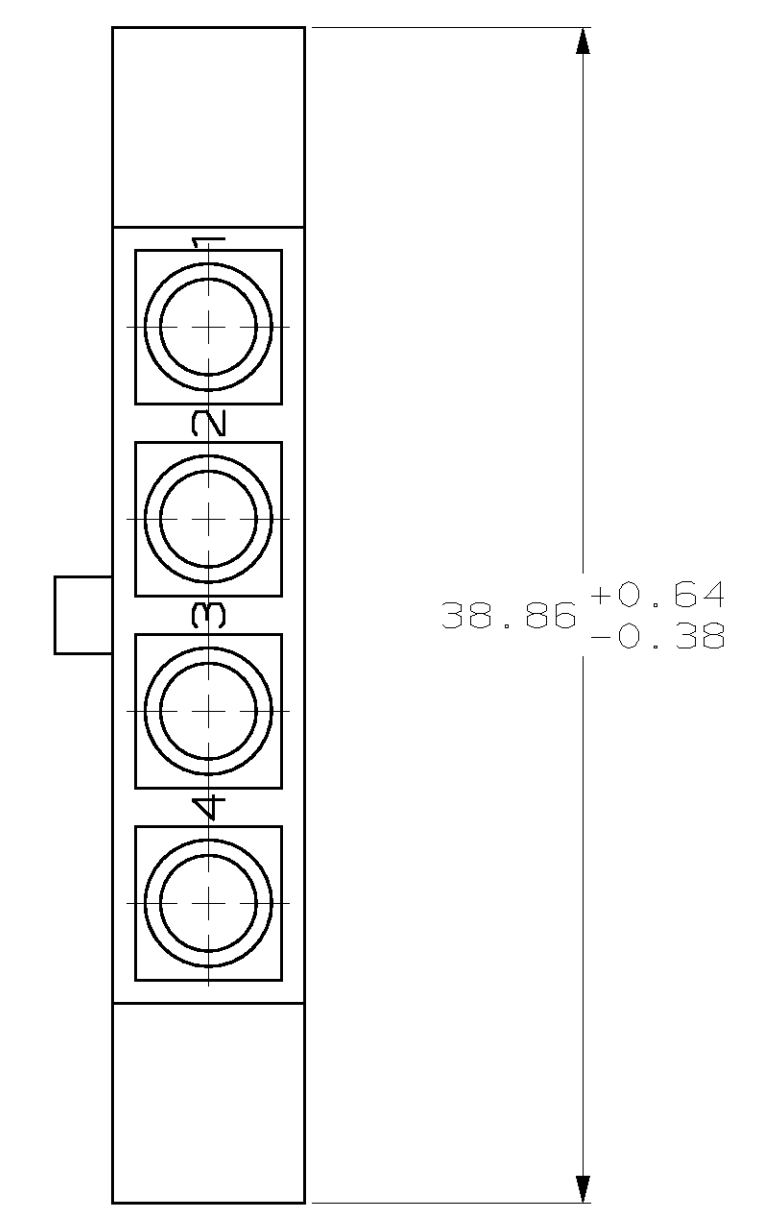
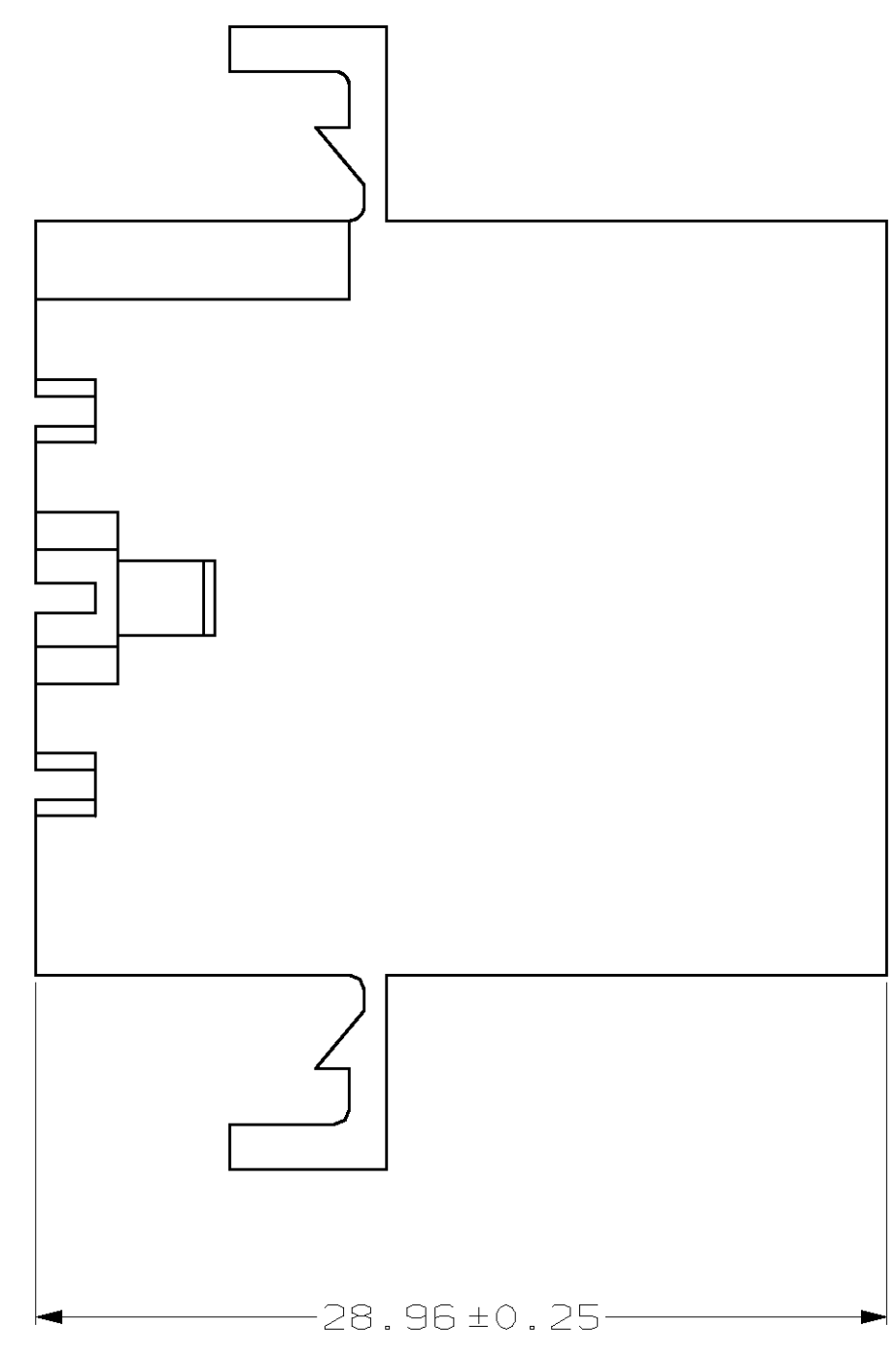
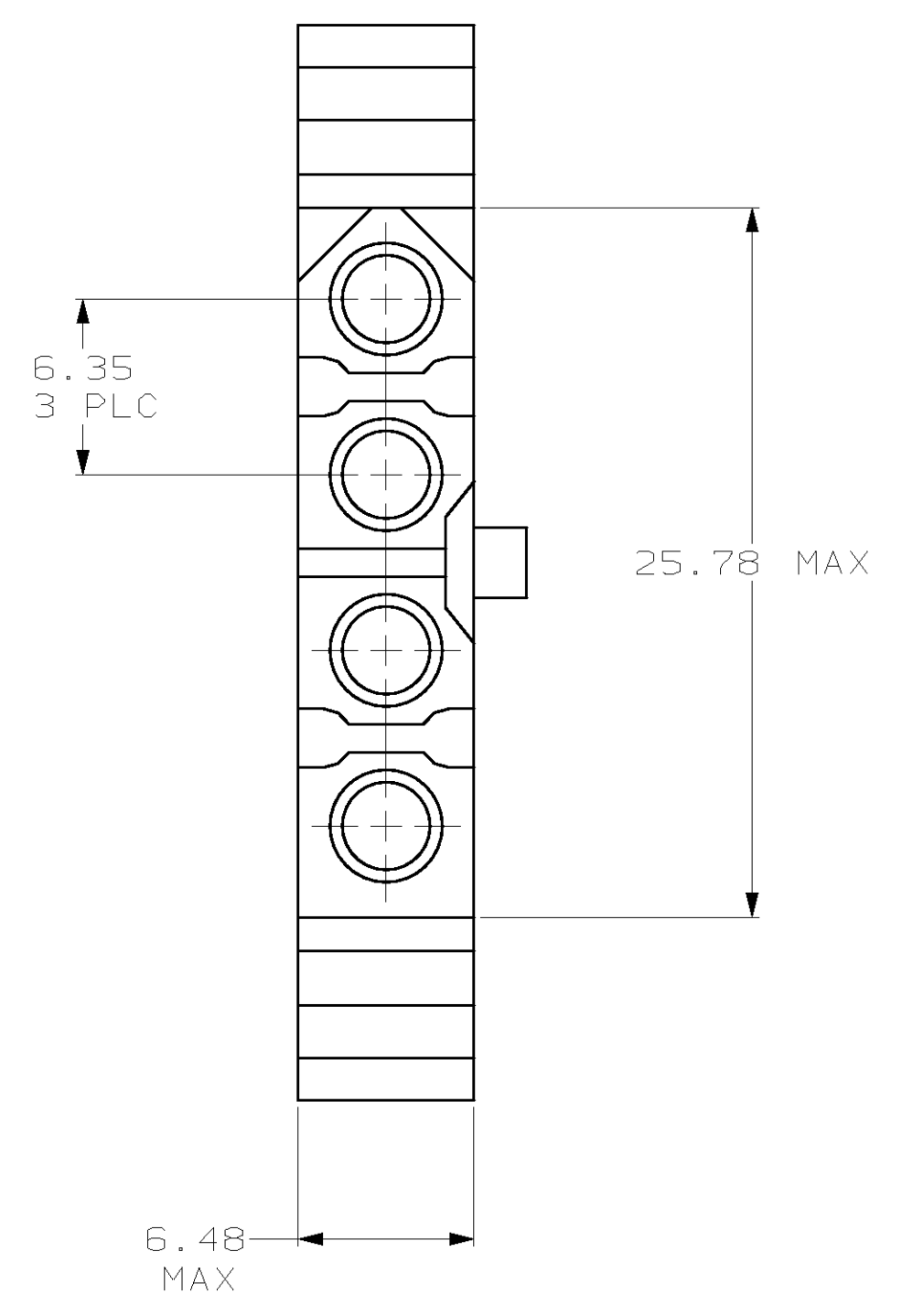
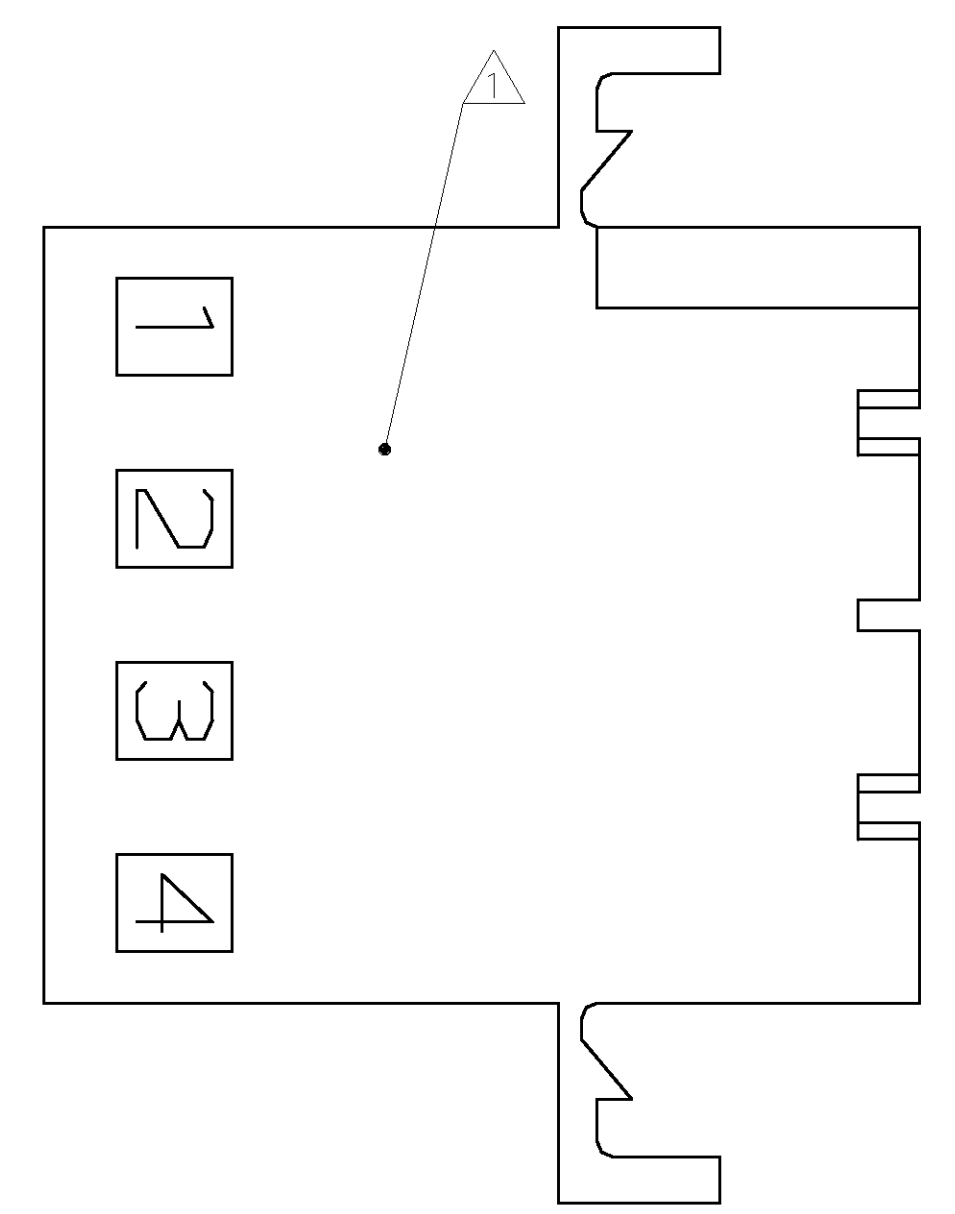
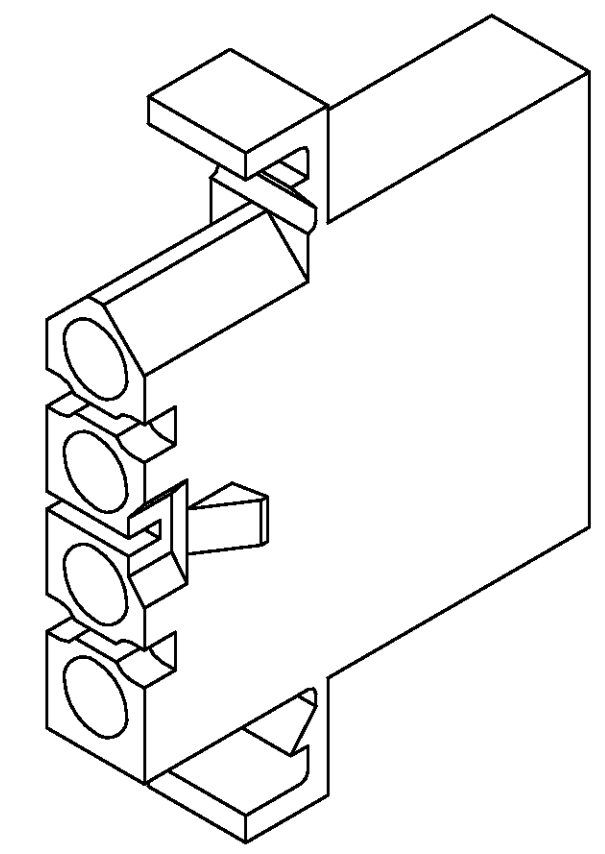


LOC	QTY	REV	DATE	BY	CHK	APPV
CM	53	J	9-02-98	REV & REDWN PER EC 061B-0177-98	KW	RS

AMP LOGO LOCATED THIS SURFACE.



RECOMMENDED CUT OUT FOR 1.58 MAX THICK PANEL



3-DIMENSIONAL MODEL NTS

MM	IN	MM	IN
6.35	.250	38.86	1.530
1.58	.062	29.67	1.168
0.64	.025	28.96	1.140
0.38	.015	25.78	1.015
0.25	.010	7.87	.310
0.13	.005	6.48	.255

CONVERSION TABLE

770329-1
PART NUMBER

THIS DRAWING IS A CONTROLLED DOCUMENT.		DWN K. WHITAKER 9-02-98	AMP Incorporated Harrisburg, PA 17105-3608
DIMENSIONS: mm		CHK R. SWING 9-02-98	
TOLERANCES UNLESS OTHERWISE SPECIFIED:		APPV K. CORLE 9-02-98	NAME RECEPTACLE PANEL MOUNT, 4 CIRCUIT, .250 PIN AND SOCKET
MATERIAL: NYLON, JL 94V-2, NATURAL		FINISH: -	SIZE: A1 SCALE CODE: C DRAWING NO: 00779 C-770329
CUSTOMER DRAWING		HEIGHT: -	RESTRICTED TO: -
		SCALE: 4:1	SHEET 1 OF 1 REV J

METRIC