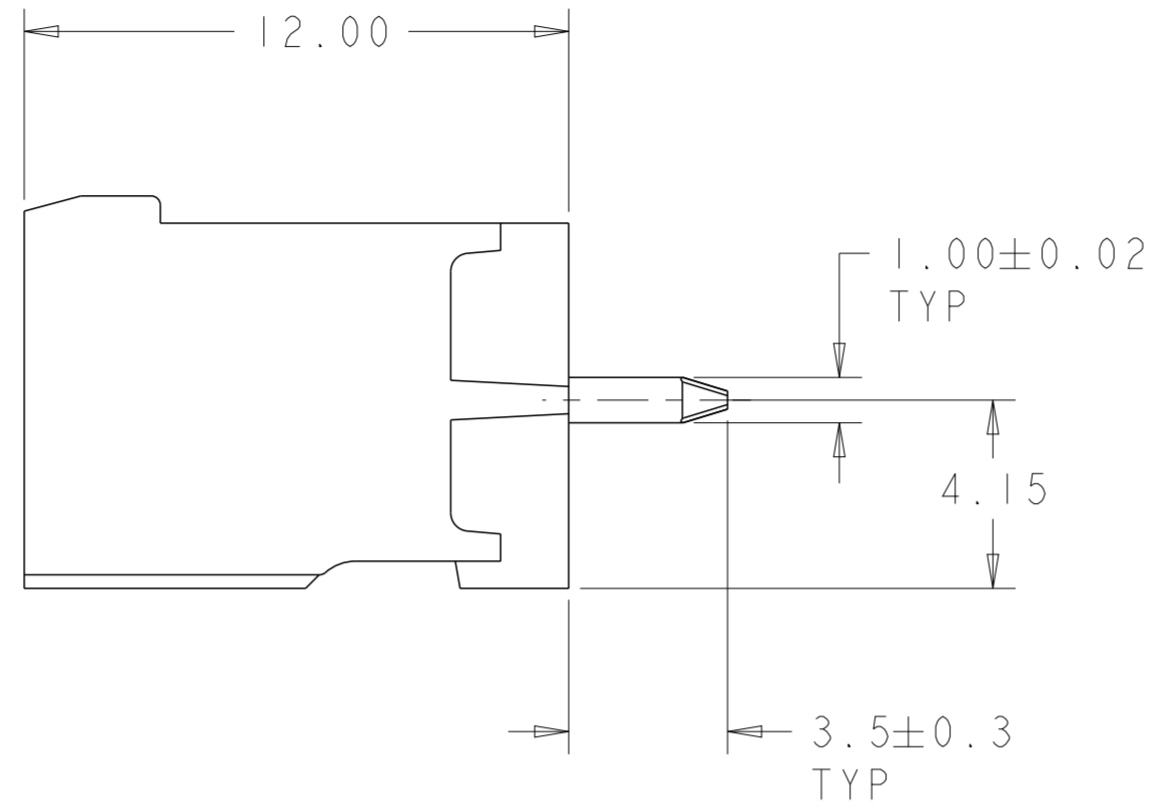
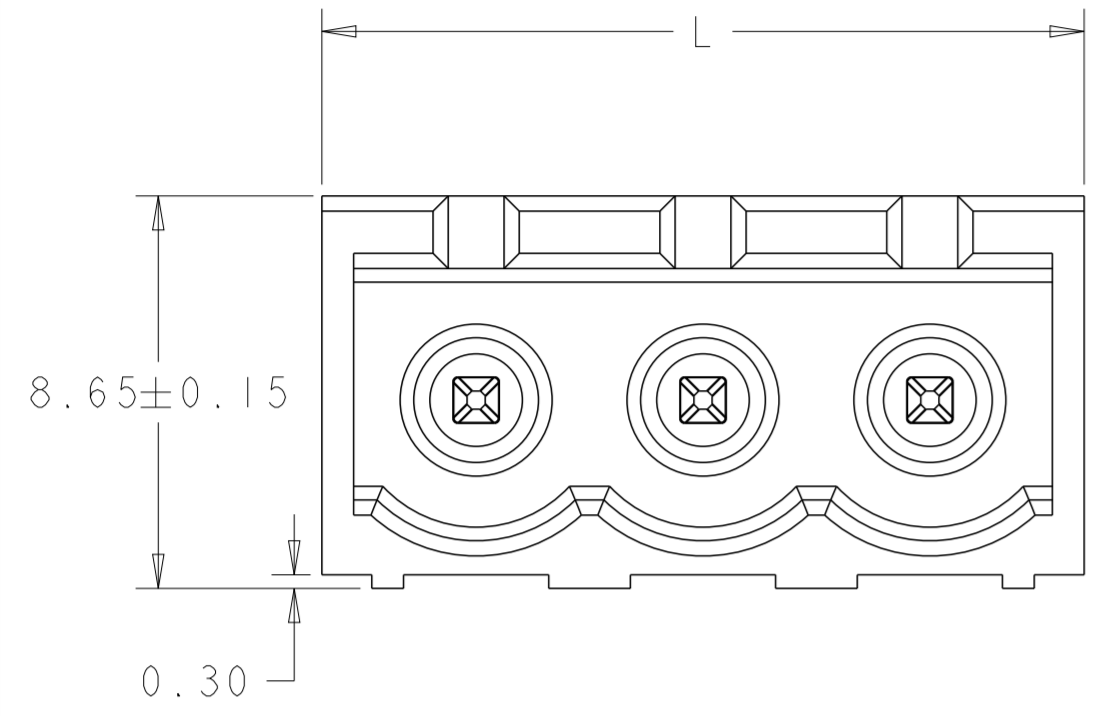
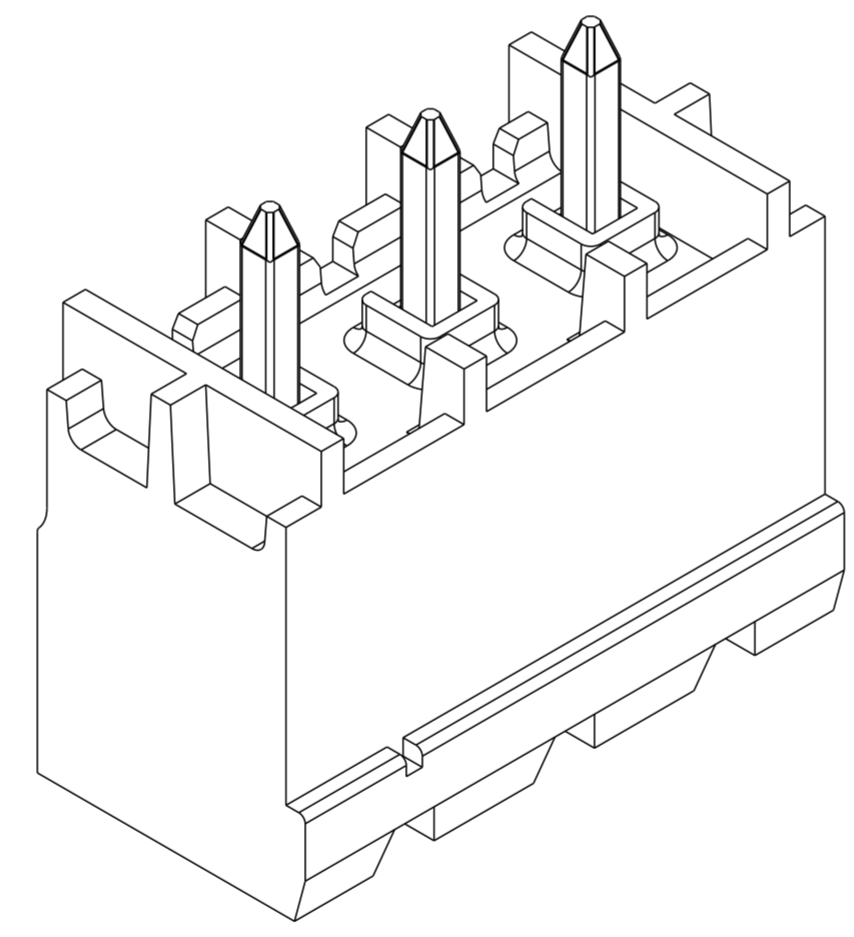
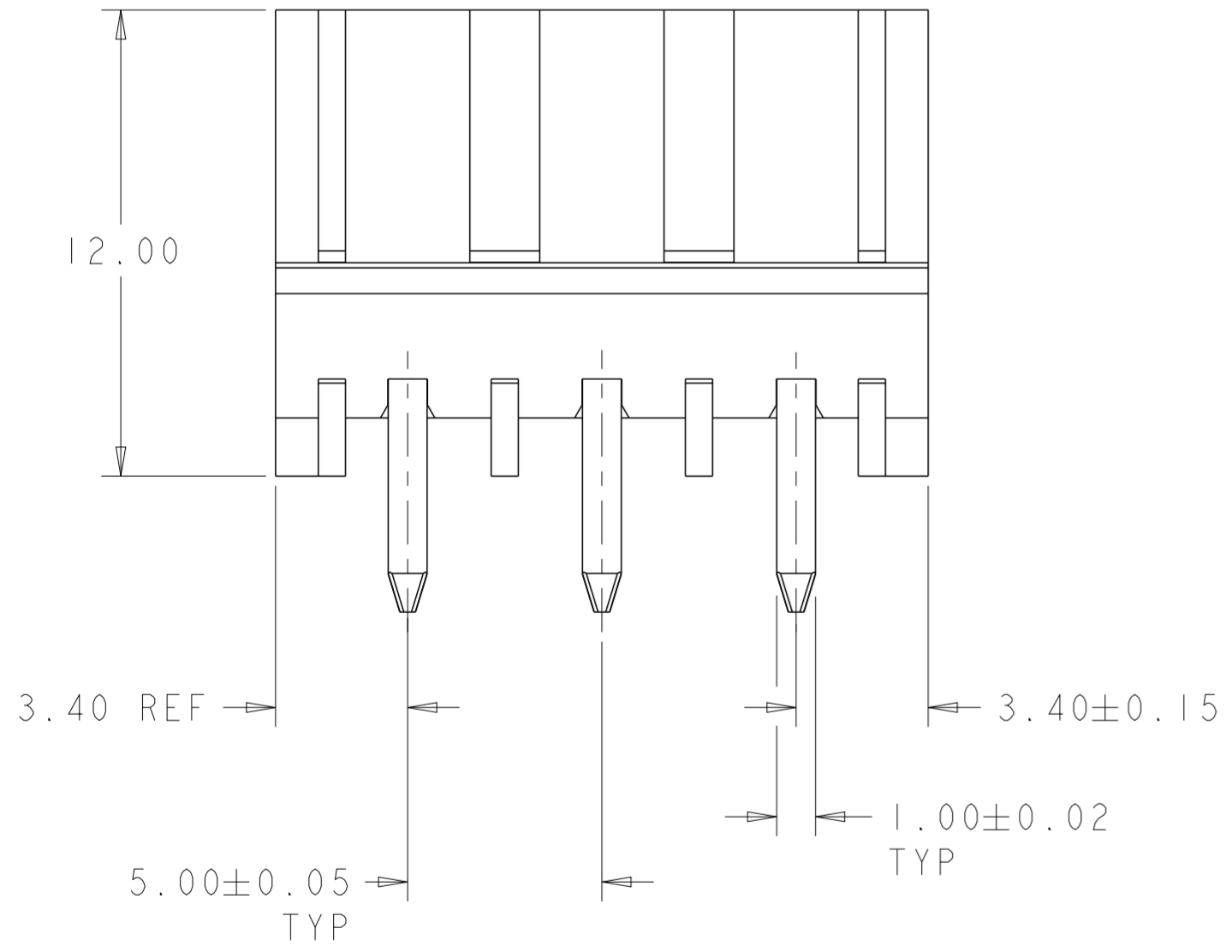


THIS DRAWING IS UNPUBLISHED. RELEASED FOR PUBLICATION 20
 © COPYRIGHT 20 Tyco Electronics AMP GmbH ALL RIGHTS RESERVED.

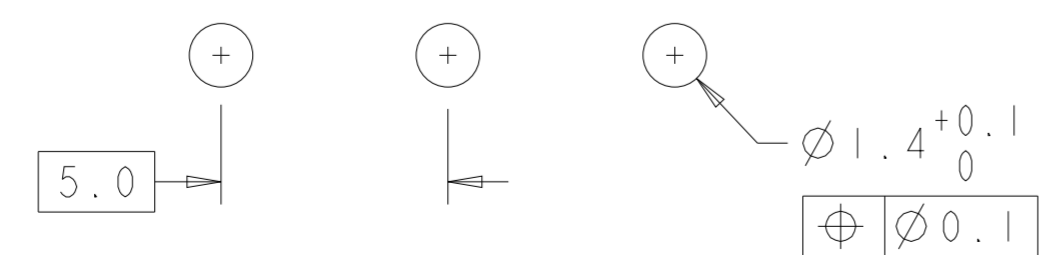
LOC		DIST		REVISIONS			
P	LTR	DESCRIPTION	DATE	DWN	APVD		
FT	0	A2	REVISED PER ECO-13-002900	06MAR2013	KH	MB	



- 1. MATERIALS AND FINISH:
 HOUSING: HIGH TEMPERATURE POLYAMIDE, UL 94V-0 RATED,
 COLOR: BLACK.
 TERMINAL: COPPER ALLOY, TIN PLATED.
- 2. SUITABLE FOR 1,6-2, 4mm PC BOARD THICKNESS.
- 3. RECOGNIZED UNDER THE COMPONENT PROGRAM OF
 UNDERWRITERS LABORATORIES INC. FILE N° E60677.
- 4. IMQ CERTIFICATE WITH SURVEILLANCE IN CONFORMITY
 WITH IEC 998-1/998-2-1.)
- 5. UL RATING 300V, 15A.
- 6. TAPE AND REEL PACKAGING.
- 7. PRELIMINARY PART NUMBER.



6/7	SEE FIGURE C	31.8	6	2-1776146-8
6/7	SEE FIGURE B	21.8	4	2-1776146-7
6/7	SEE FIGURE A	16.8	3	2-1776146-6
		61.8	12	1-1776146-2
		56.8	11	1-1776146-1
		51.8	10	1-1776146-0
		46.8	9	1776146-9
		41.8	8	1776146-8
		36.8	7	1776146-7
		31.8	6	1776146-6
		26.8	5	1776146-5
		21.8	4	1776146-4
		16.8	3	1776146-3
		11.8	2	1776146-2
NOTES/COMMENTS		L	NO OF POSN	PART NUMBER



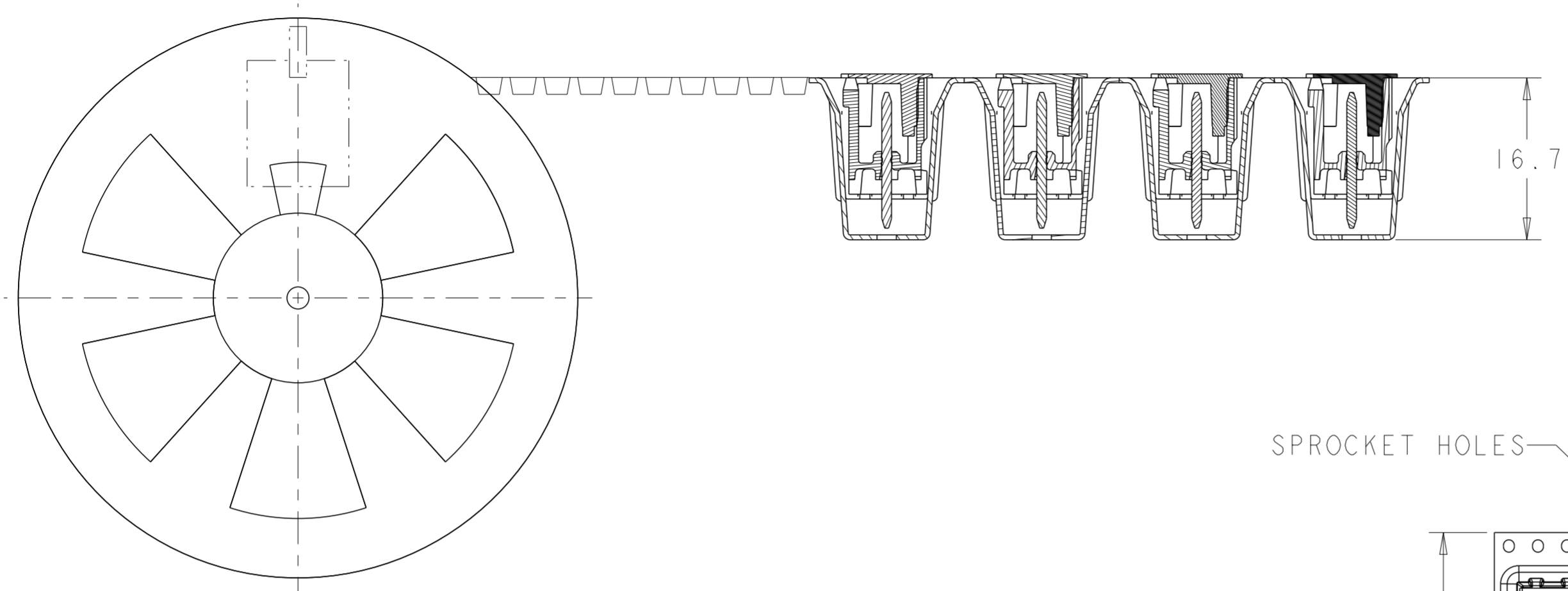
RECOMMENDED PC BOARD LAYOUT

THIS DRAWING IS A CONTROLLED DOCUMENT.

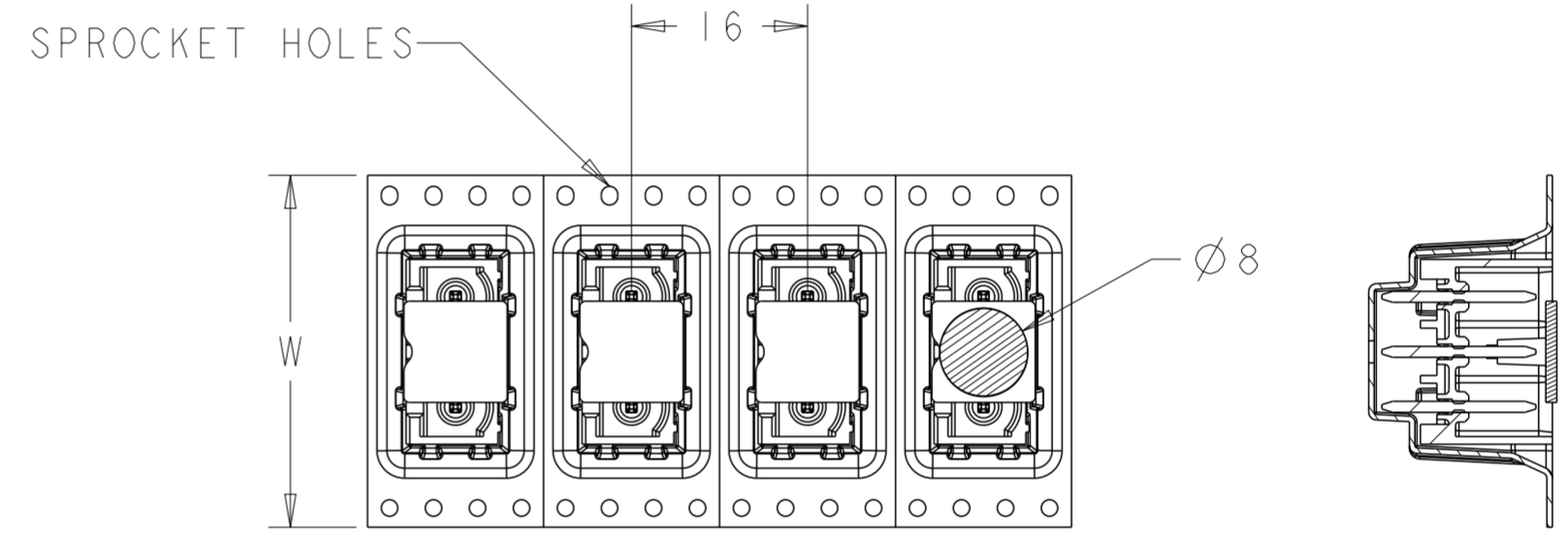
DIMENSIONS: mm	TOLERANCES UNLESS OTHERWISE SPECIFIED:	DWN S. WELDON 06 JUN 2005	TE Connectivity
		CHK C. RICHARD 06 JUN 2005	
		APVD C. RICHARD 06 JUN 2005	
MATERIAL	FINISH	NAME	TERMINAL BLOCK HEADER ASSEMBLY 180 DEGREE, CLOSED ENDS, 5.00mm PITCH 5.00mm PITC
		SIZE	RESTRICTED TO
		WEIGHT	A200779 C-1776146
		CUSTOMER DRAWING	SCALE 2:1 SHEET 1 OF 2 REV A2

THIS DRAWING IS UNPUBLISHED. RELEASED FOR PUBLICATION 20
 © COPYRIGHT 20 Tyco Electronics AMP GmbH ALL RIGHTS RESERVED.

LOC	DIST	REVISIONS			
P	LTR	DESCRIPTION	DATE	DWN	APVD
FT	0	SEE SHEET 1	-	-	-



FOR TAPE AND REEL PARTS.



6	56
4	44
3	32
NUMBER POS	DIM W

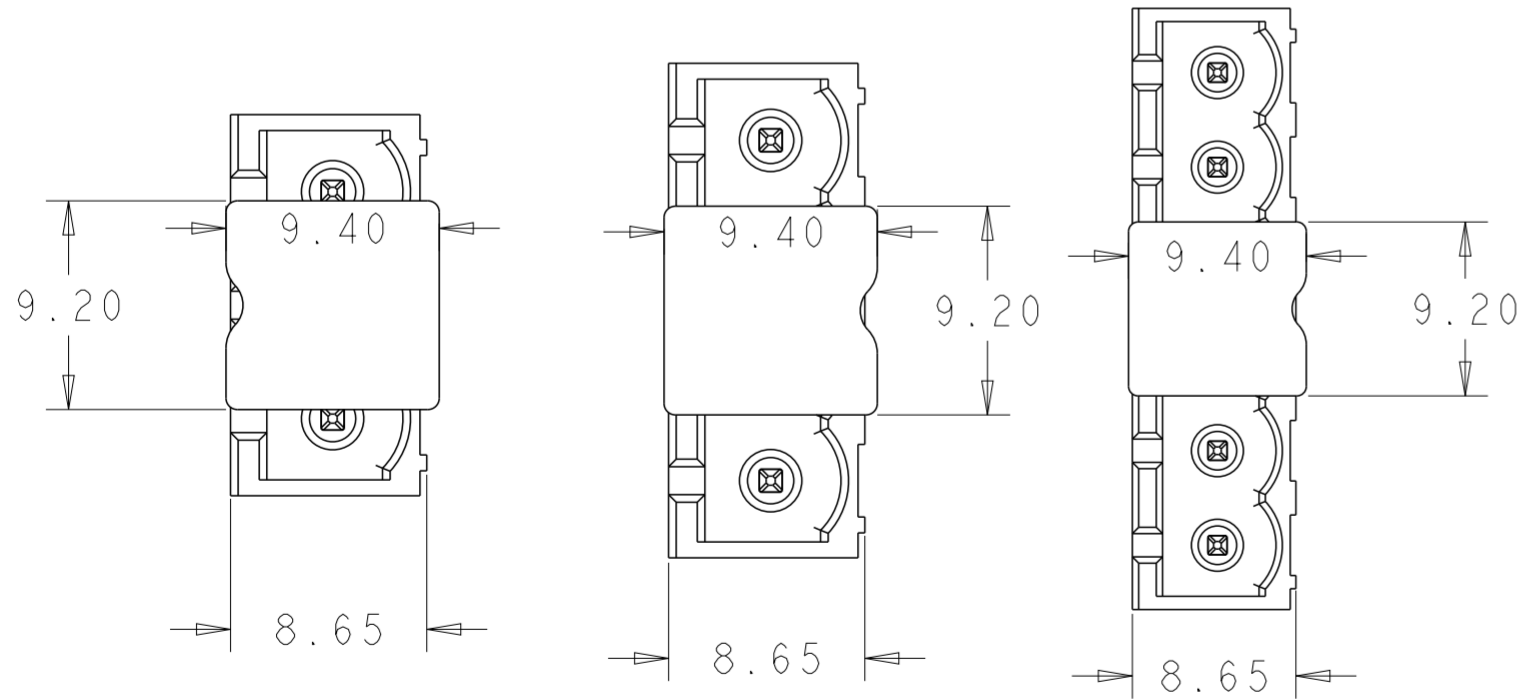


FIGURE A

FIGURE B

FIGURE C

THIS DRAWING IS A CONTROLLED DOCUMENT.		DWN S. WELDON 06 JUN 2005	TE Connectivity
DIMENSIONS: mm		CHK C. RICHARD 06 JUN 2005	
		APVD C. RICHARD 06 JUN 2005	
TOLERANCES UNLESS OTHERWISE SPECIFIED:		PRODUCT SPEC	NAME TERMINAL BLOCK HEADER ASSEMBLY 180 DEGREE, CLOSED ENDS, 5.00mm PITCH 5.00mm PITC
0 PLC ±		APPLICATION SPEC	SIZE A2
1 PLC ±0.5		WEIGHT	CAGE CODE 200779
2 PLC ±0.25		CUSTOMER DRAWING	DRAWING NO C-1776146
3 PLC ±		SCALE 2:1	RESTRICTED TO
4 PLC ±		SHEET 2 OF 2	REV A2
ANGLES ±			
FINISH ±			