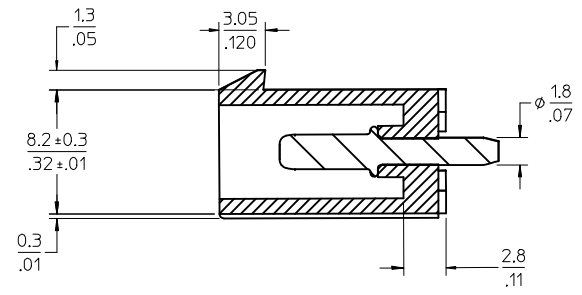
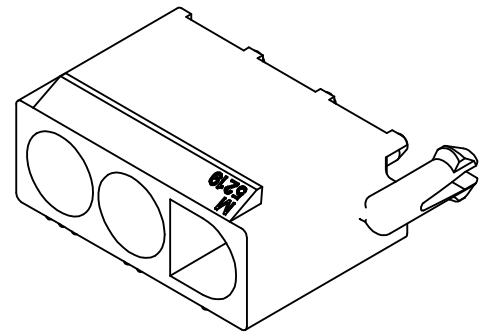
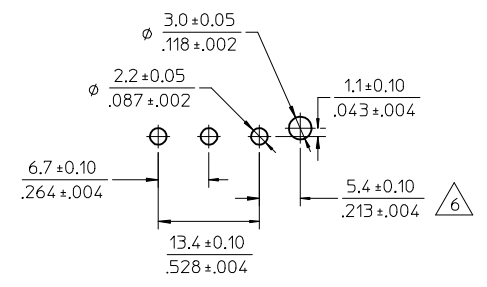
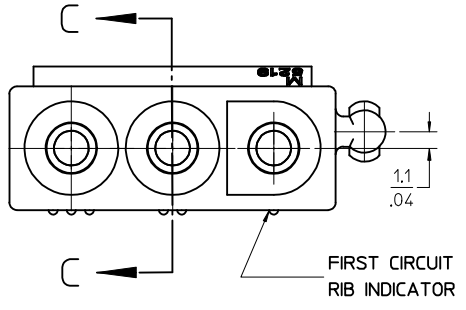


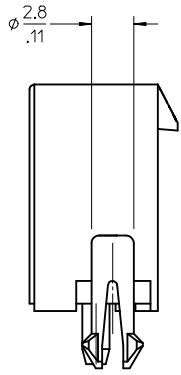
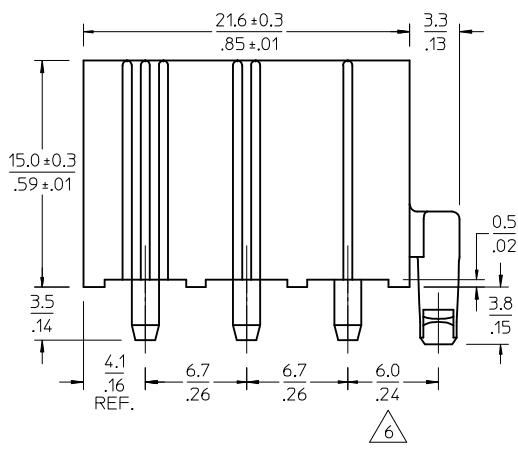
CIRCUITS	EDP NO.	ENG. NO.
3	39287038	5219-03A-201
	15311036	5219-03A



SECTION C-C

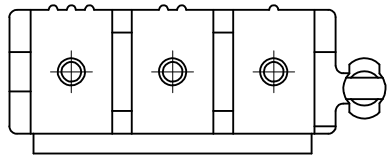


RECOMMENDED P.C. BOARD HOLE DIM.
SCALE 2:1



NOTES:

- 1) MATERIAL:
HOUSING: "BLANK" = NYLON 6/6, UL94V-2, COLOR: NATURAL
"201" = NYLON 6/6, UL94V-0, COLOR: NATURAL
TERMINAL: C2700W BRASS
- 2) FINISH: 0.000003/(.0000001) MIN. TIN OVERALL OVER
0.000001/(.00000004) MIN. NICKEL OVERALL
- 3) PRODUCT SPECIFICATION: PS-3191-003
- 4) PACKAGING: NONE
- 5) MATES WITH: 3191-03R SERIES
- 6) DIFFERENCE OF DIMENSION IS INTENTIONAL TO PREVENT PART RISING FROM P.C.B.
- 7) PARTS CONFORM TO CLASS 'B' REQUIREMENTS OF COSMETIC SPECIFICATION PS-45499-002.
- 8) ASSEMBLIES MAY CONTAIN SOLID OR SWAGED (HOLLOW) PINS.



REVISE NOTE #6 EC NO: UCP2012-1165 DRWN:ALHAG 2012/06/13 CHKD:JBELL 2012/06/13 APPR:FSMITH 2012/08/16	QUALITY SYMBOLS	GENERAL TOLERANCES (UNLESS SPECIFIED)	DIMENSION STYLE	SCALE	DESIGN UNITS	THIRD ANGLE PROJECTION
	▽=0 ▽=0	mm INCH 4 PLACES ± --- ± --- 3 PLACES ± --- ± .005 2 PLACES ± 0.13 ± .010 1 PLACE ± 0.25 ± --- ANGULAR ± 1/2°	MM/IN DRAWN BY DATE TASKAWA 1995/11/18 CHECKED BY DATE HHIRAMOT 1995/11/18 APPROVED BY DATE FUKUSHIM 1995/11/18	4:1	METRIC	
		DRAFT WHERE APPLICABLE MUST REMAIN WITHIN DIMENSIONS	SEE CHART	NEW INTERNATIONAL CONN. HEADER AND ASSY. MOLEX INCORPORATED SD-5219-03A-*		
	N3			SHEET NO. 1 OF 1 THIS DRAWING CONTAINS INFORMATION THAT IS PROPRIETARY TO MOLEX INCORPORATED AND SHOULD NOT BE USED WITHOUT WRITTEN PERMISSION		