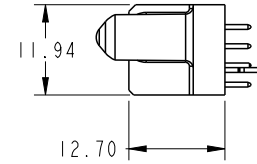
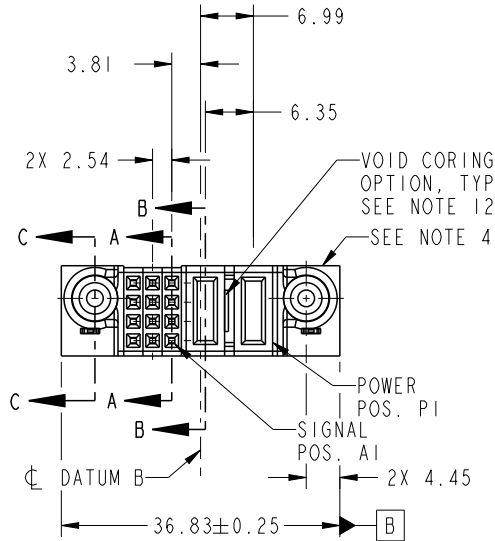


PRODUCT NO.	ROWS	SIGNAL					POWER	
		E2	3	2	1	P2	P1	E1
51940-446-- NOTE: 3	D C B A							



CODE	DIM "M" MATING LENGTH	CONTACT TYPE
E	[N/A]	SIGNAL
PD	[2.34]	POWER
HA	[N/A]	HOLD-DOWN
PA	[1.07]	POWER

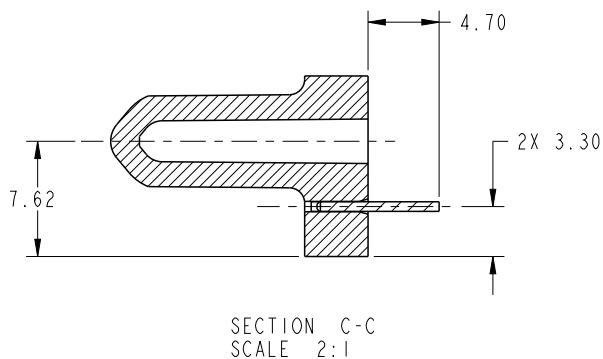
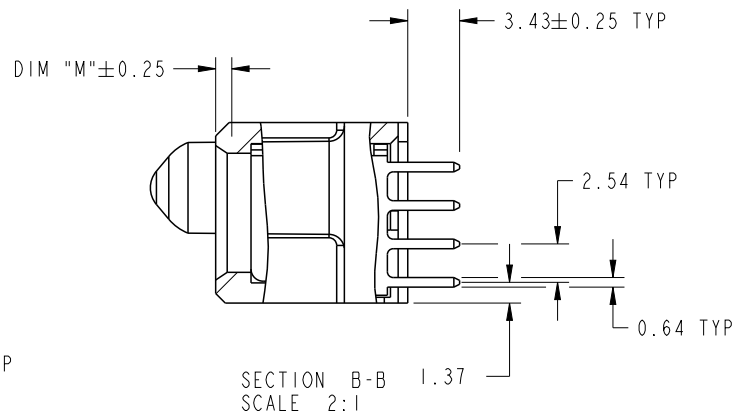
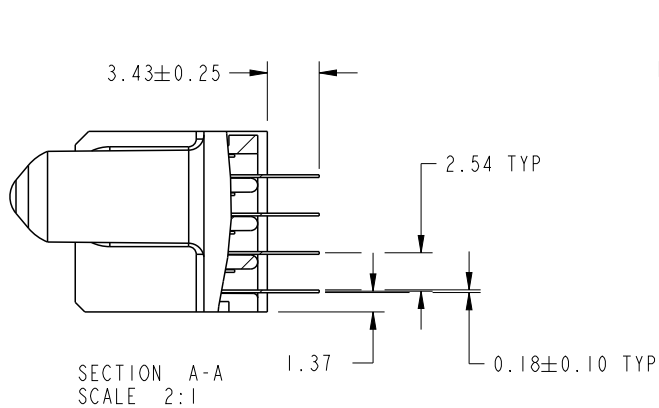
spec ref	*	dr	Luo Weller	2012/07/09	projection	MM	size	A4	scale	1:1										
tolerance std	TOLERANCES UNLESS OTHERWISE SPECIFIED	eng	Luo Weller	2012/09/12			ecn no	-	rel level	Released										
SEE NOTE		chr	-	-																
surface	<table border="1"> <tr><td>linear</td><td>0.X</td><td>±0.5</td></tr> <tr><td></td><td>0.XX</td><td>±0.25</td></tr> <tr><td></td><td>0.XXX</td><td>±0.1</td></tr> <tr><td>angular</td><td>0°</td><td>±2°</td></tr> </table>	linear	0.X	±0.5		0.XX	±0.25		0.XXX	±0.1	angular	0°	±2°	appr	Pei-Ming Zheng	2012/09/12	product family	PwrBlade	rev	
linear		0.X	±0.5																	
		0.XX	±0.25																	
	0.XXX	±0.1																		
angular	0°	±2°																		
	www.fci.com	title	2P + 12S VERTICAL SOLDER RECEPT		dwg no	51940-446	rev	A												
		cat. no.	*	Product - Customer Drw	sheet 1 of 4															



Copyright FCI.

PRODUCT NUMBER

51940-446__
NOTE: 3



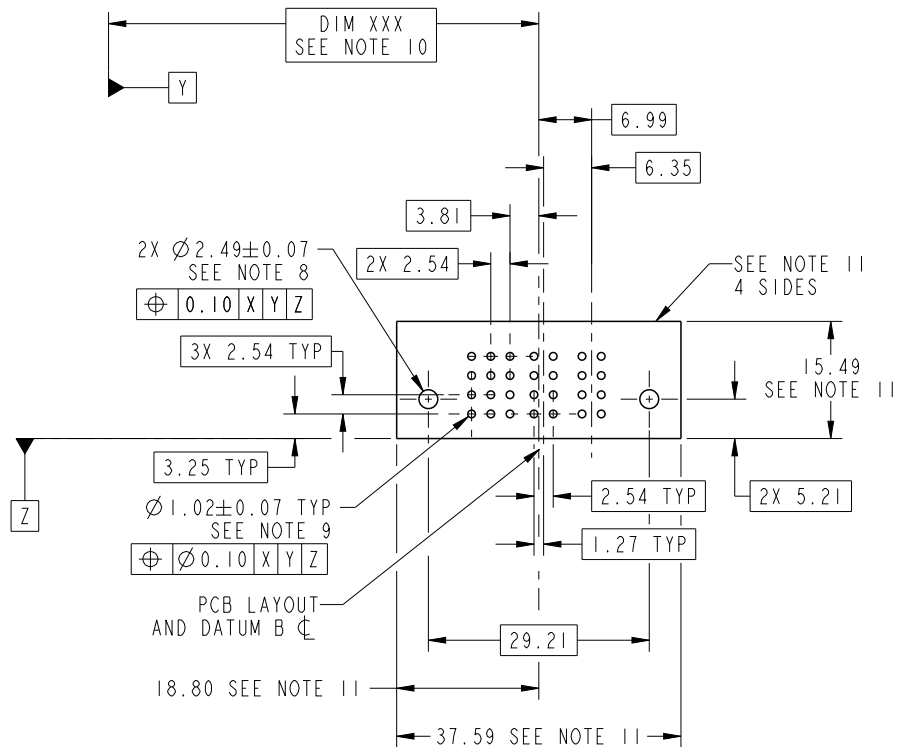
dr	Luo Weller	2012/07/09	projection 	MM 	size	A4	scale	1:1
eng	Luo Weller	2012/09/12			ecn no	-		
chr	-	-			rel level	Released		
appr	Pei-Ming Zheng	2012/09/12	product family	PwrBlade	rev	A		
	title	2P + 12S VERTICAL SOLDER RECEIPT		dwg no	51940-446			
www.fci.com	cat. no.	*	Product - Customer Drw		sheet 2 of 4			



Copyright FCI.

PRODUCT NUMBER

51940-446__
NOTE: 3



RECOMMENDED PCB LAYOUT

dr	Luo Weller	2012/07/09	projection 	MM 	size	A4	scale	1:1
eng	Luo Weller	2012/09/12			ecn no	-		
chr	-	-			rel level	Released		
appr	Pei-Ming Zheng	2012/09/12	product family	PwrBlade				
		part no			2P + 12S		rev	
www.fci.com		cat. no.			* Product - Customer Drw		sheet 3 of 4	
		part no			51940-446		rev	
							A	

PRODUCT NUMBER

51940-446__
NOTE: 3

NOTES:

1. DIMENSIONS AND TOLERANCES ARE IN ACCORDANCE WITH ASME Y14.5M, 1994 UNLESS OTHERWISE SPECIFIED.

CONNECTOR NOTES:

- ② HOUSING MATERIAL: UL 94 V-0 GLASS FILLED HIGH-TEMP THERMOPLASTIC
POWER CONTACT MATERIAL: COPPER ALLOY
SIGNAL PIN MATERIAL: COPPER ALLOY
- 3. SEE ITEM 5 & 6 IN PRINT 10064183 FOR PLATING SPEC OF 51940-446 AND 51940-446LF RESPECTIVELY.
- ④ MANUFACTURER'S NAME, DATE CODE AND OPTIONAL P/N TO APPEAR ON THIS SURFACE. THE P/N CAN BE OMITTED IF THERE IS NOT ENOUGH SPACE ON THIS SURFACE.
- 5. PRODUCT SPECIFICATION GS-12-149.
APPLICATION SPECIFICATION BUS-20-067.
- 6. PACKAGED IN TRAYS.
- PCB NOTES:
- 7. ALL HOLE DIAMETERS ARE FINISHED HOLE SIZE.
- ⑧ MOUNTING HOLES, WHERE APPLICABLE, ARE UNPLATED.
- ⑨ $\varnothing 1.151 \pm 0.025$ DRILLED HOLES PLATED WITH
0.008 MIN SnPb OR Sn OVER 0.03
TO 0.08 Cu PLATING TO ACHIEVE
 $\varnothing 1.02 \pm 0.07$ HOLE.
- ⑩ "DIM XXX" TO BE DETERMINED BY THE CUSTOMER.
- ⑪ CONNECTOR KEEP-OUT ZONE.
- 12. THE VOID CORING IN BETWEEN POWER MODULES, SIGNAL MODULES AND END MODULES ARE OPTIONAL AND THE SHAPE MAY BE DIFFERENT FOR OPTIMIZE THE MOLDING PROCESS. THE VOID CORING WILL NOT EFFECT TO PRODUCT FUNCTION.

dr	Luo Weller	2012/07/09	projection 	MM 	size	A4	scale	1:1
eng	Luo Weller	2012/09/12			ecn no	-		
chr	-	-			product family	PwrBlade	rel level	Released
appr	Pei-Ming Zheng	2012/09/12			title 2P + 12S VERTICAL SOLDER RECEPT	dwg no 51940-446	rev A	
www.fci.com		cat. no.	*	Product - Customer Drw		sheet 4 of 4		



Copyright FCI.