



## MS4515

### SPECIFICATIONS

- **PCB Mounted Pressure Transducers**
- **Pressure Ranges from 2 to 30 inches H<sub>2</sub>O**
- **Amplified Ratiometric Analog Output**
- **Differential & Gage**
- **Temperature Compensated**
- **3.3V or 5.0 Vdc Supply Voltage**

The MS4515 is a small, ceramic based, PCB mounted pressure transducer from Measurement Specialties. The transducer is built using the latest CMOS sensor conditioning circuitry to create a low cost, high performance transducer designed to meet the strictest requirements from OEM customers.

The MS4515 is fully calibrated and temperature compensated with a total error band (TEB) of less than 1.0% over the compensated range. The sensor operates from single supply of either 3.3 or 5.0Vdc and requires a single external component for proper operation.

The rugged ceramic transducer is available in side port, top port, and manifold mount versions and can measure gage or differential pressure from 2 to 30 inches H<sub>2</sub>O. The 1/8" barbed pressure ports mate securely with 3/32" ID tubing.

## FEATURES

- Inches H<sub>2</sub>O Pressure Ranges
- PCB Mountable
- High Level Analog Output
- Barbed Pressure Ports

## APPLICATIONS

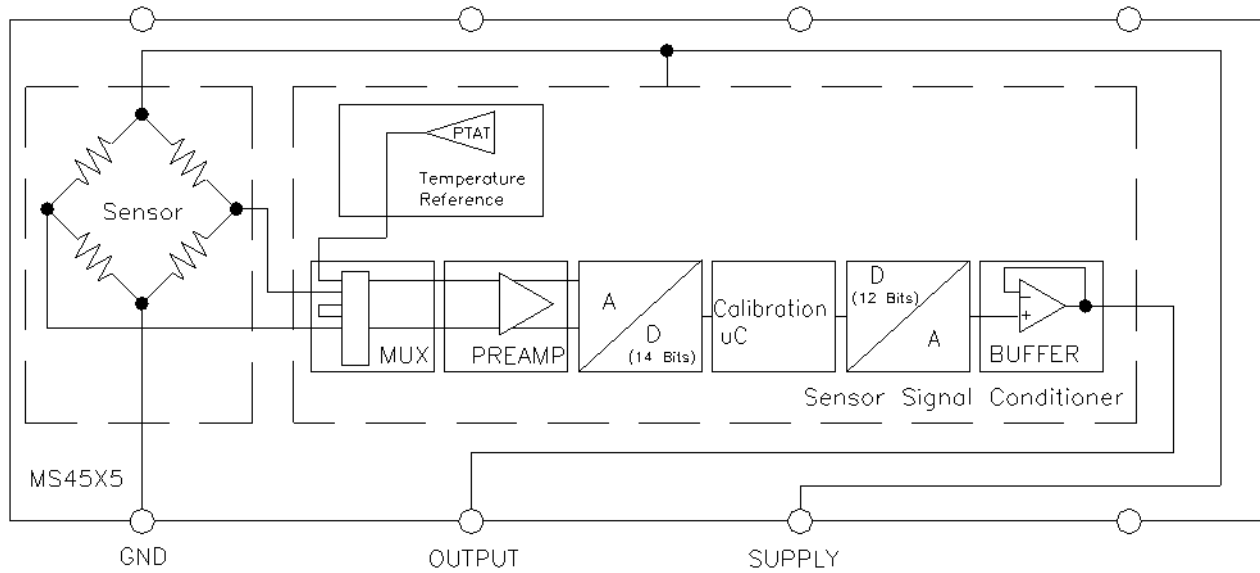
- Blocked Filter Detection
- Altitude and Airspeed Measurements
- Medical Instruments
- Fire Suppression System
- Panel Meter
- Air Movement/Environmental Controls
- Pneumatic Controls

## STANDARD RANGES (INCHES H<sub>2</sub>O)

Range	Gage	Differential	Option Availability
2		DS, SS, TP, MM	
4	DS, SS, TP, MM	DS, SS, TP, MM	
5	DS, SS, TP, MM	DS, SS, TP, MM	
10	DS, SS, TP, MM	DS, SS, TP, MM	-F
20	DS, SS, TP, MM	DS, SS, TP, MM	-F
30	DS, SS, TP, MM	DS, SS, TP, MM	-F

See Package Configurations: DS= Dual Side Port, SS= Single Side Port, TP= Top Port, MM= Manifold Mount  
Pin Style "L" is only available SS and MM port types.  
Pin Style "C" is only available SS, TP and MM port types.

BLOCK DIAGRAM



ABSOLUTE MAXIMUM RATINGS

Parameter	Conditions	Min	Max	Unit	Notes
Supply Voltage	T <sub>A</sub> = 25 °C	2.7	5.5	V	
Output Current	T <sub>A</sub> = 25°C		3	mA	
Load Resistance (R <sub>L</sub> )	T <sub>A</sub> = 25°C	10		kΩ	
Storage Temperature		-40	+125	°C	
Humidity	T <sub>A</sub> = 25°C		95	%RH	Non Condensing
Overpressure	T <sub>A</sub> = 25 °C, both Ports	Not to Exceed 300		psi	
Burst Pressure	T <sub>A</sub> = 25 °C, Port 1			psi	See Table 1
ESD	HBM	-4	+4	kV	EN 61000-4-2
Solder Temperature		250°C, 5 sec max.			

TABLE 1- BURST PRESSURE BY RANGE AND PACKAGE STYLE

Range	DS	TP, SS, MM	Unit
002	10	10	psi
004	10	10	psi
005	10	10	psi
010	10	10	psi
020	20	20	psi
030	20	20	psi

## ENVIRONMENTAL SPECIFICATIONS

Parameter	Conditions
Mechanical Shock	Mil Spec 202F, Method 213B, Condition C, 3 Drops
Mechanical Vibration	Mil Spec 202F, Method 214A, Condition 1E, 1Hr Each Axis
Thermal Shock	100 Cycles over Storage Temperature, 30 minute dwell
Life	1 Million FS Cycles
MTTF	>10Yrs, 70 °C, 1.188 Million Pressure Cycles, 120%FS Pressure

## PERFORMANCE SPECIFICATIONS

Supply Voltage<sup>1</sup>: 5.0V or 3.3 Vdc

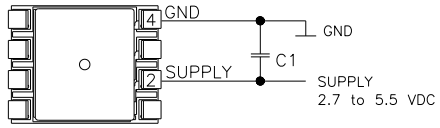
Ambient Temperature: 25°C (unless otherwise specified)

PARAMETERS	MIN	TYP	MAX	UNITS	NOTES
Accuracy	-0.25		0.25	%Span	2
Total Error Band (TEB)	-1.0		1.0	%Span	3,5
Total Error Band (TEB) 4inH <sub>2</sub> O and Below	-2.0		2.0	%Span	3,5
Supply Current		3		mA	5
Compensated Temperature	0		+60	°C	4
Operating Temperature	-10		+85	°C	
Response Time		1		mS	5
Weight		3		grams	
Media	Non-Corrosive Dry Gases Compatible with Ceramic, Silicon, Borosilicate Glass, RTV, Gold, Aluminum and Epoxy. See "Wetted Material by Port Designation" chart below.				

## Notes

1. Proper operation requires an external capacitor placed as shown in Connection Diagram. Output is ratiometric to supply voltage variations of less than 10%.
2. Accuracy: The maximum deviation from a best fit straight line (BFSL) fitted to the output measured over the pressure range at 25°C. Includes all errors due to pressure non linearity, hysteresis, and non repeatability.
3. Total error band includes all accuracy errors, thermal errors over the compensated temperature range, and span and offset calibration tolerances. For ideal sensor output with respect to input pressure, reference Pressure Transfer Function charts below. TEB values are valid only at the calibrated supply voltage.
4. For errors beyond the compensated temperature range, see Extended Temperature Multiplier chart below.
5. This product can be configured for custom OEM requirements, contact factory for lower power consumption or higher accuracy.

## CONNECTION DIAGRAM

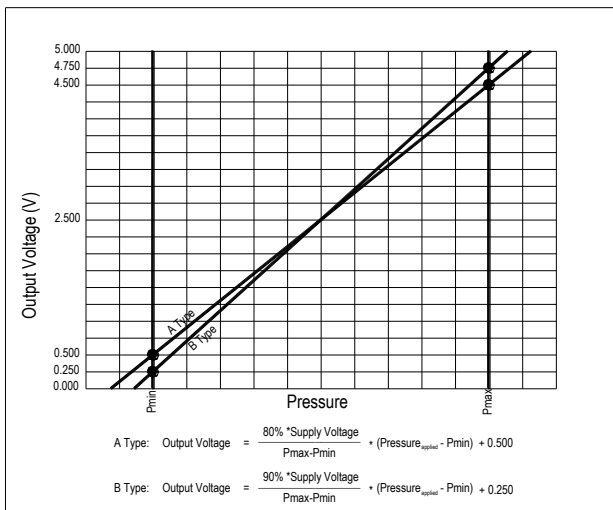


### Notes

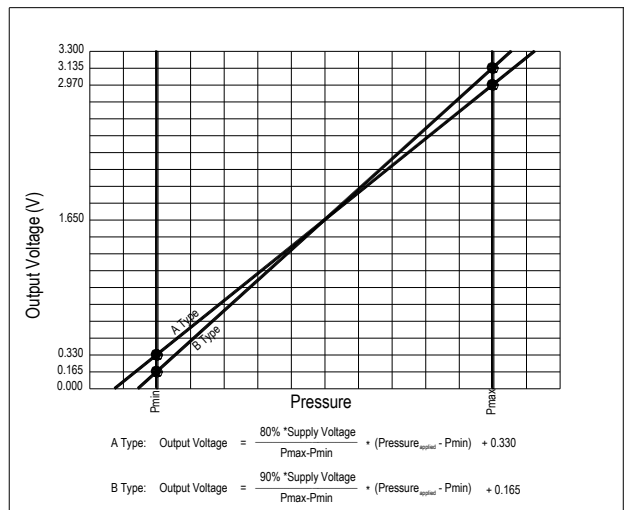
1. Place 100nF capacitor between Supply and GND to within 2 cm of sensor.

## PRESSURE AND TEMPERATURE TRANSFER FUNCTION

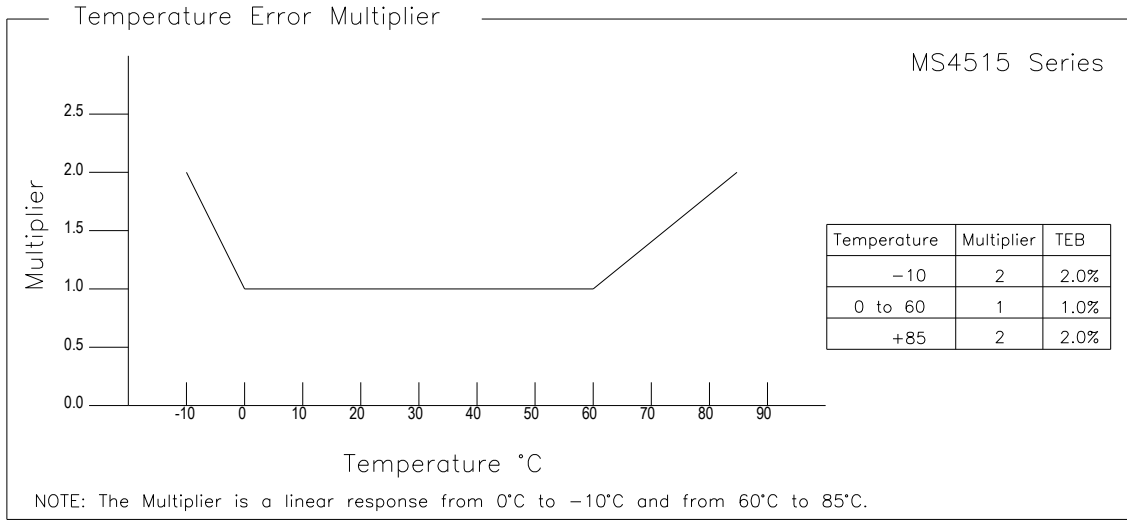
Pressure Transfer Functions, Supply=5V



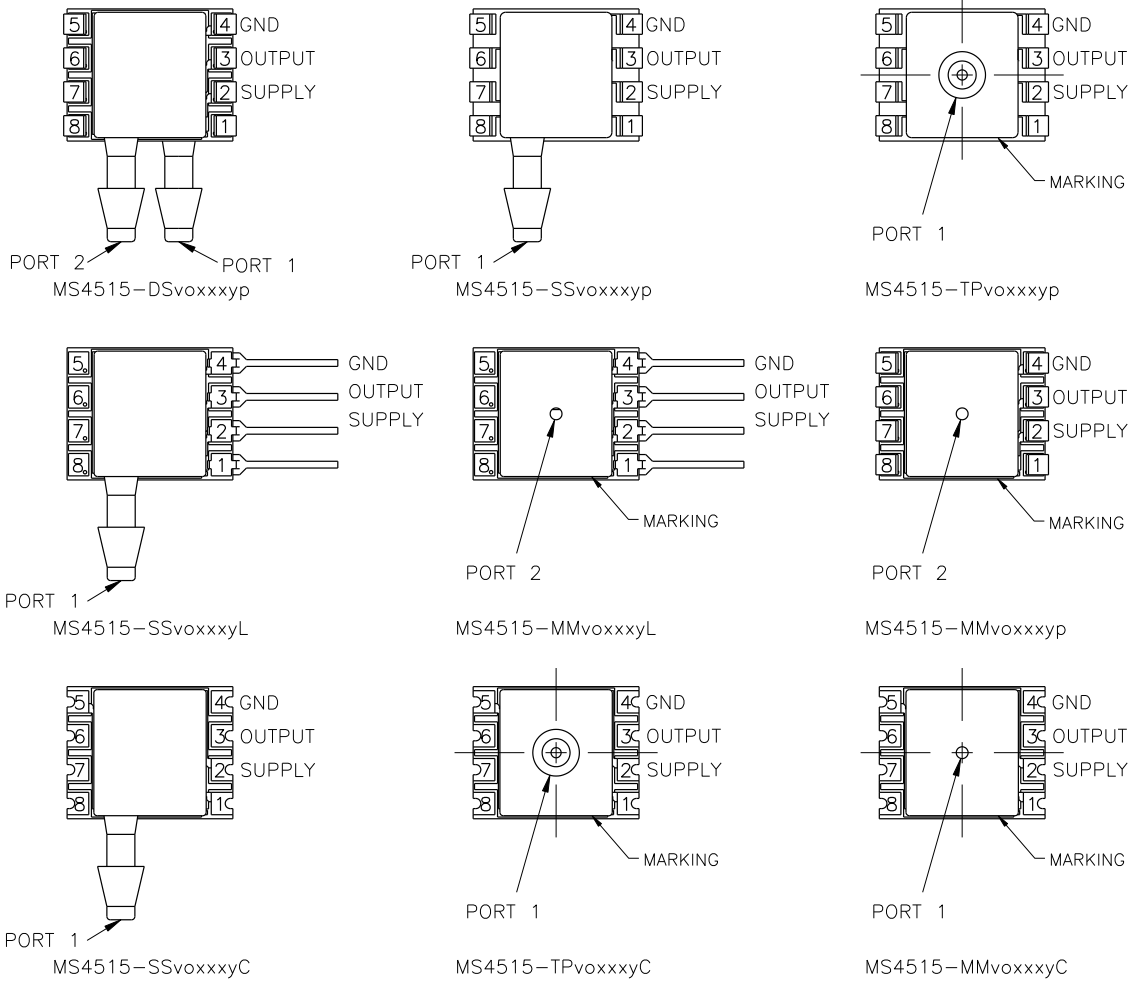
Pressure Transfer Functions, Supply=3.3V



## EXTENDED TEMPERATURE MULTIPLIER CHART



## PACKAGE, PINOUT & PRESSURE TYPE CONFIGURATION



Pin Name	Pin	Function
SUPPLY	2	Positive Supply Voltage
OUTPUT	3	Analog Output
GND	4	Ground
	1, 5-8	No Connection

Pressure Type	Pmin	Pmax	Description
Differential/ Bidirectional	-Prange	+Prange	Output is proportional to the difference between Port 1 and Port 2. Output swings positive when Port 1 > Port 2. Output is 50% of supply voltage when Port 1=Port 2
Gage	0psiG	+Prange	Output is proportional to the difference between 0psiG (Pmin) and Port 1. Output swings positive when Port 1 > Port 2.

Prange is equal to the maximum full scale pressure specified in the ordering information.

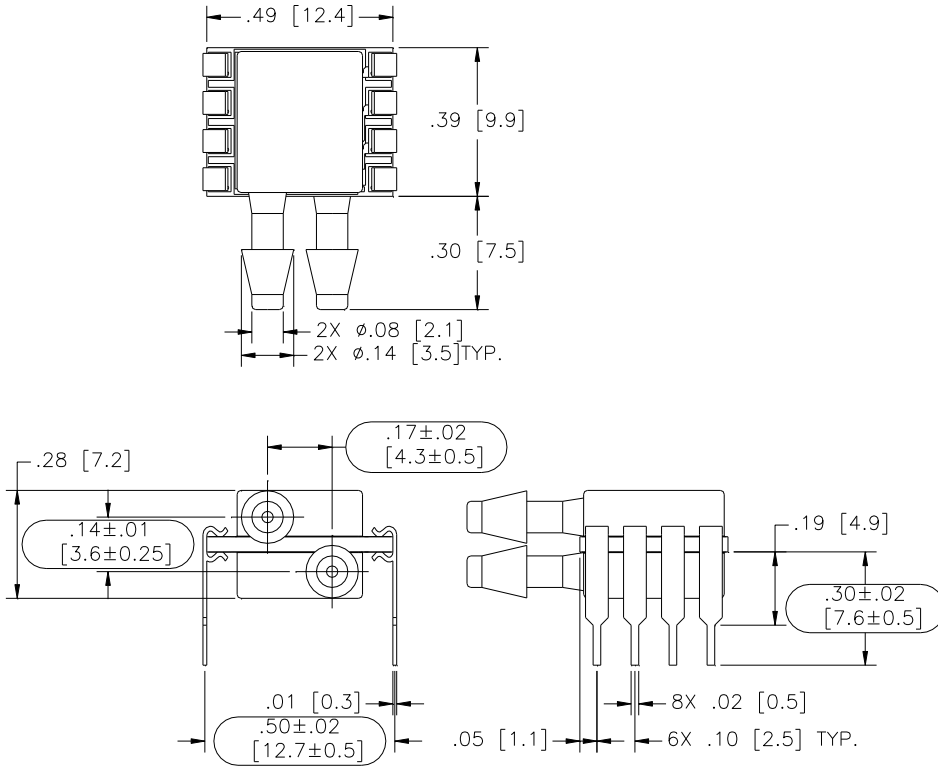
**WETTED MATERIAL BY PORT DESIGNATION**

Style	Port	Material						
		Ceramic	Silicon	Borosilicate Glass	RTV	Gold	Aluminum	Epoxy
DS, MM	Port 1	X	X	X	X			X
	Port 2	X	X	X	X	X	X	X
SS, TP, SM	Port 1	X	X	X	X	X	X	X

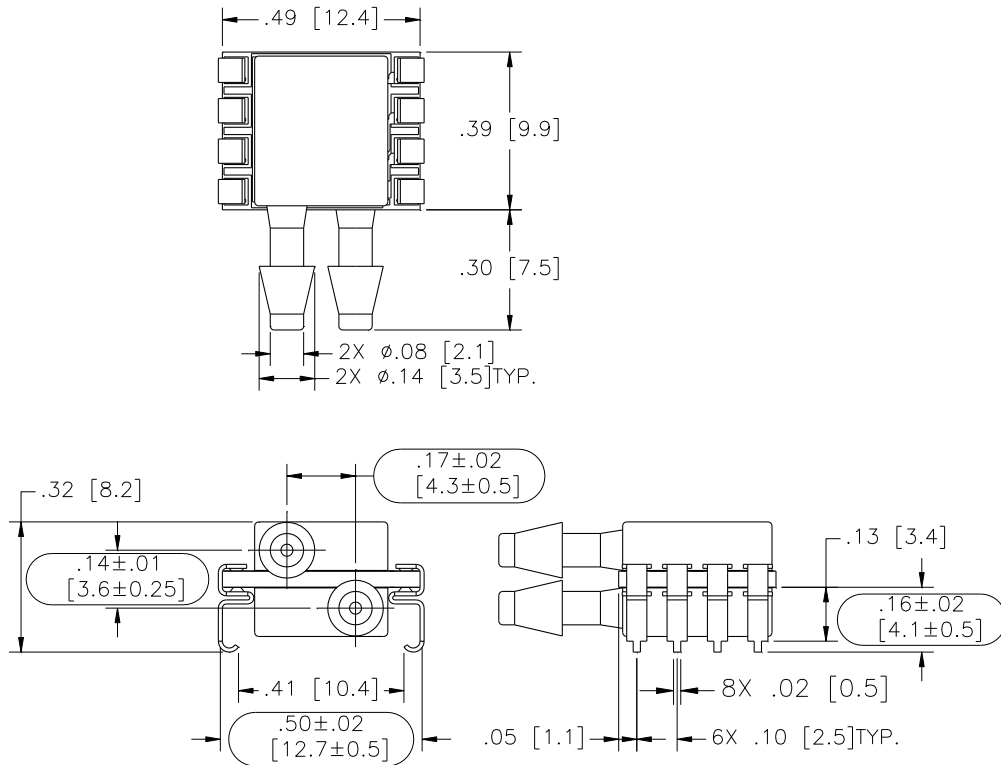
"X" Indicates Wetted Material

DIMENSIONS (are in INCHES [mm])

Model: MS4515-DSvoxxxxyP



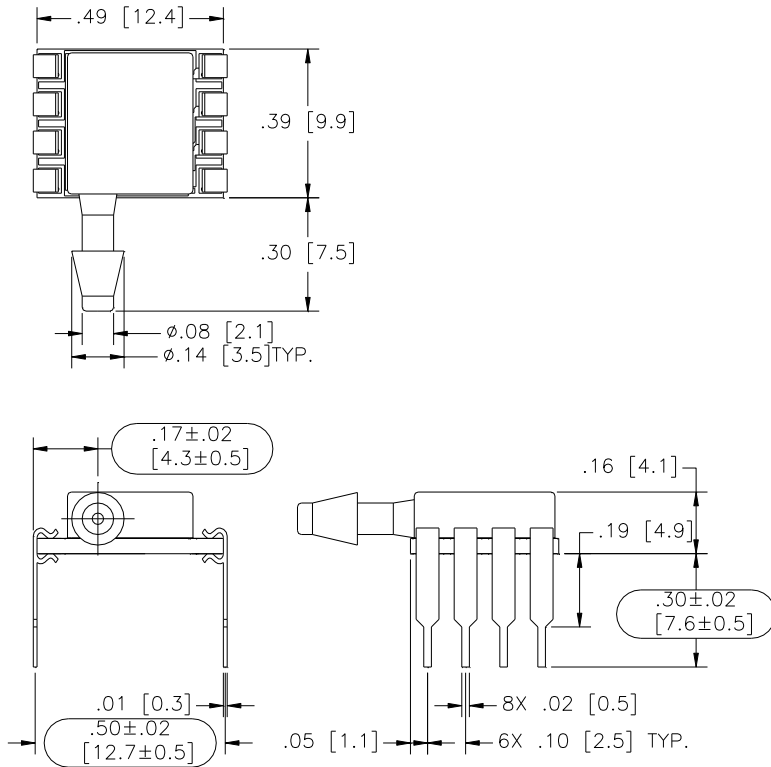
Model: MS4515-DSvoxxxxyS



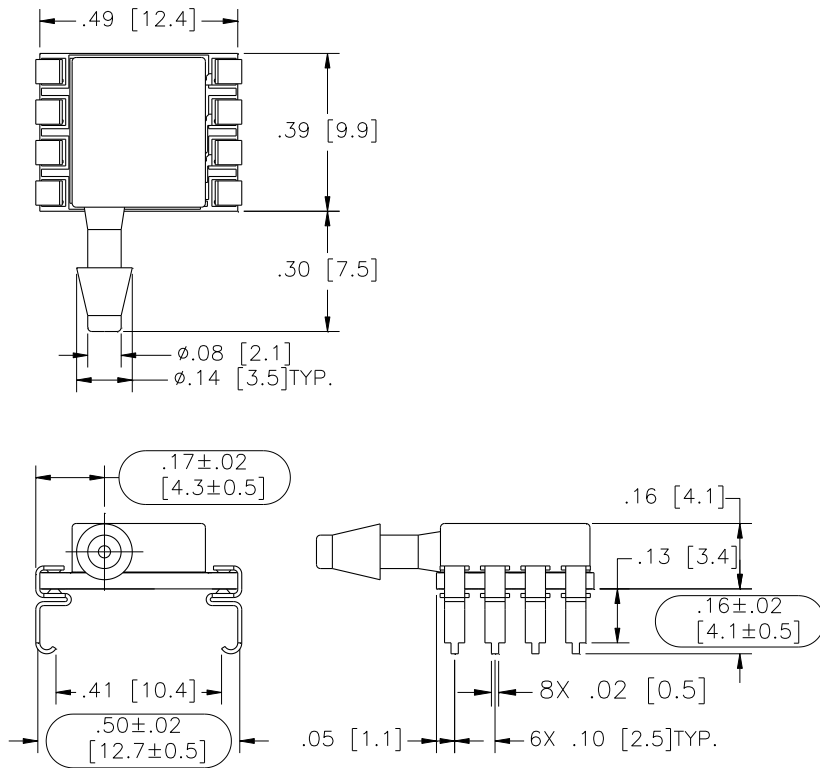


**MS4515**

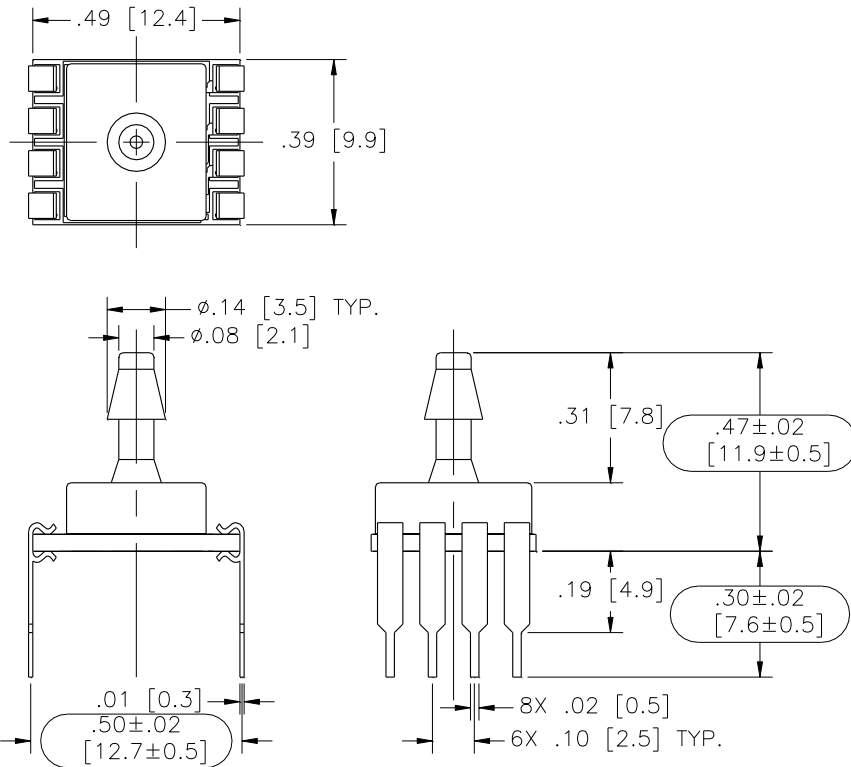
Model: MS4515-SSvoxxxxyP



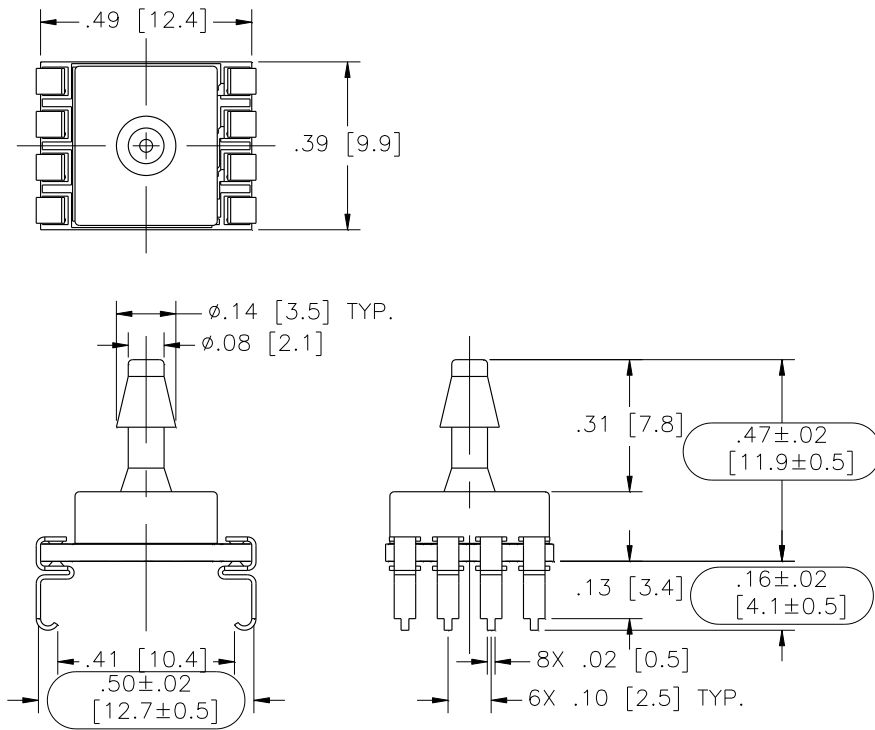
Model: MS4515-SSvoxxxxyS



Model: MS4515-TPvoxxxxyP

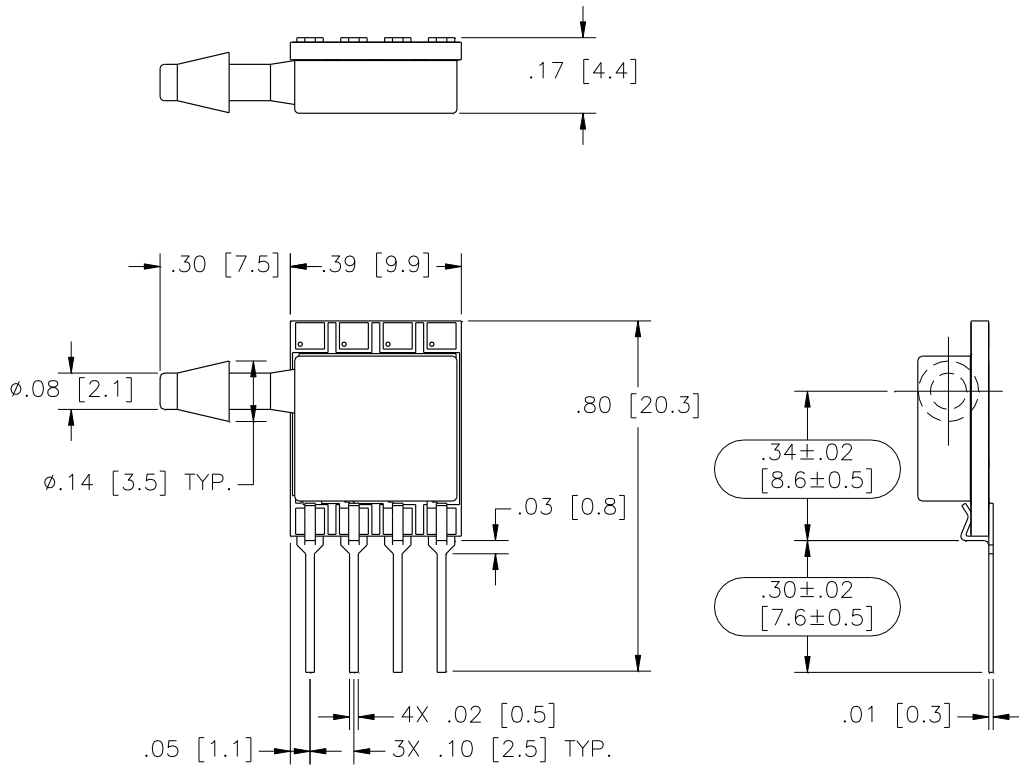


Model: MS4515-TPvoxxxxyS

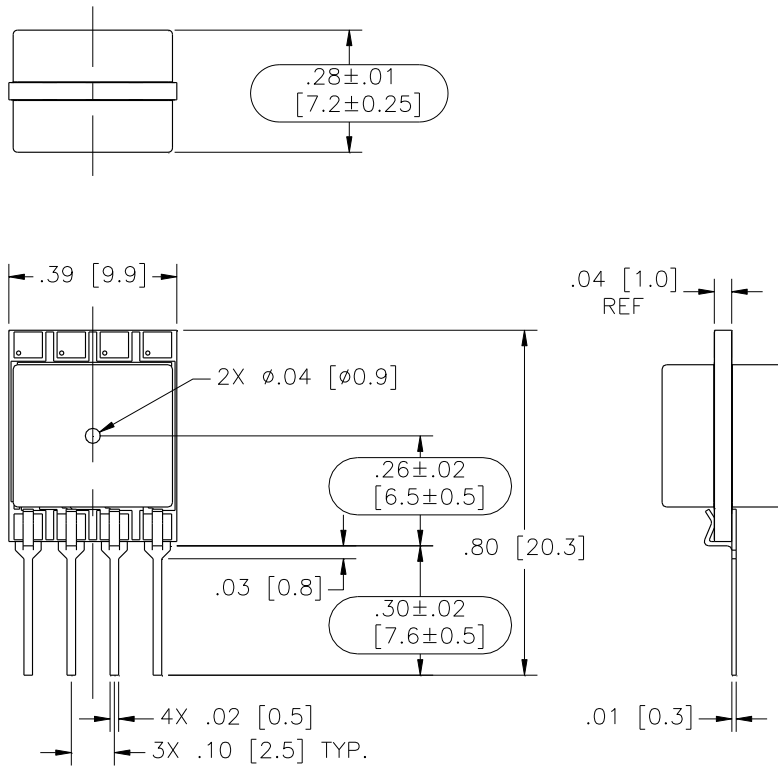


**MS4515**

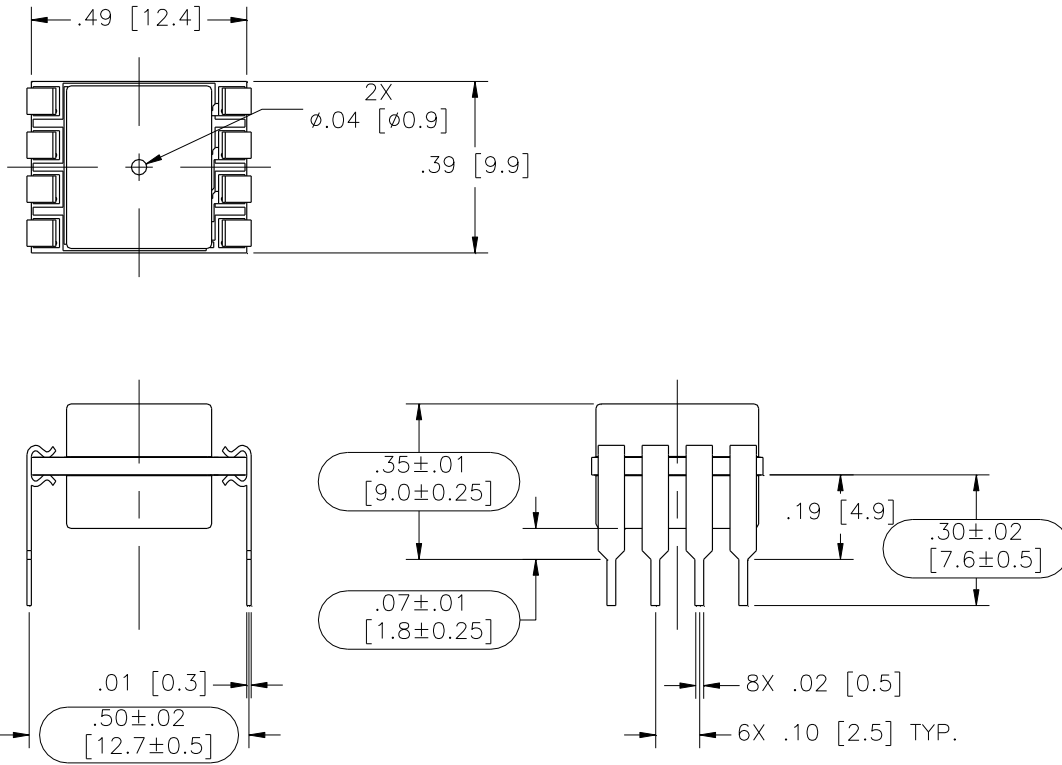
Model: MS4515-SSvoxxxxyl



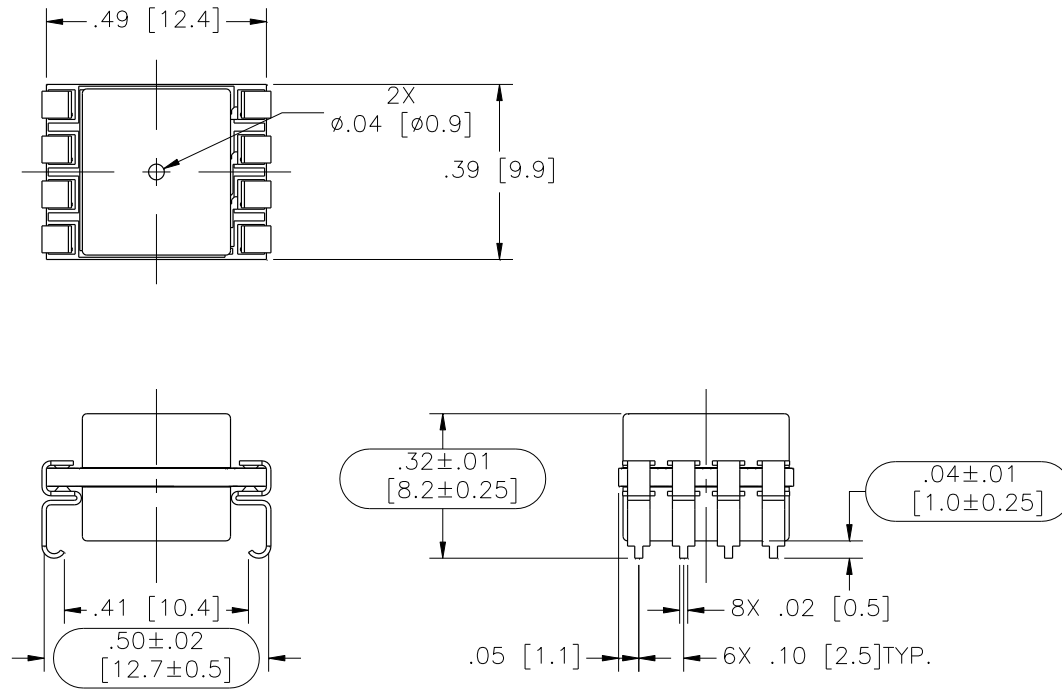
Model: MS4515-MMvoxxxxyl



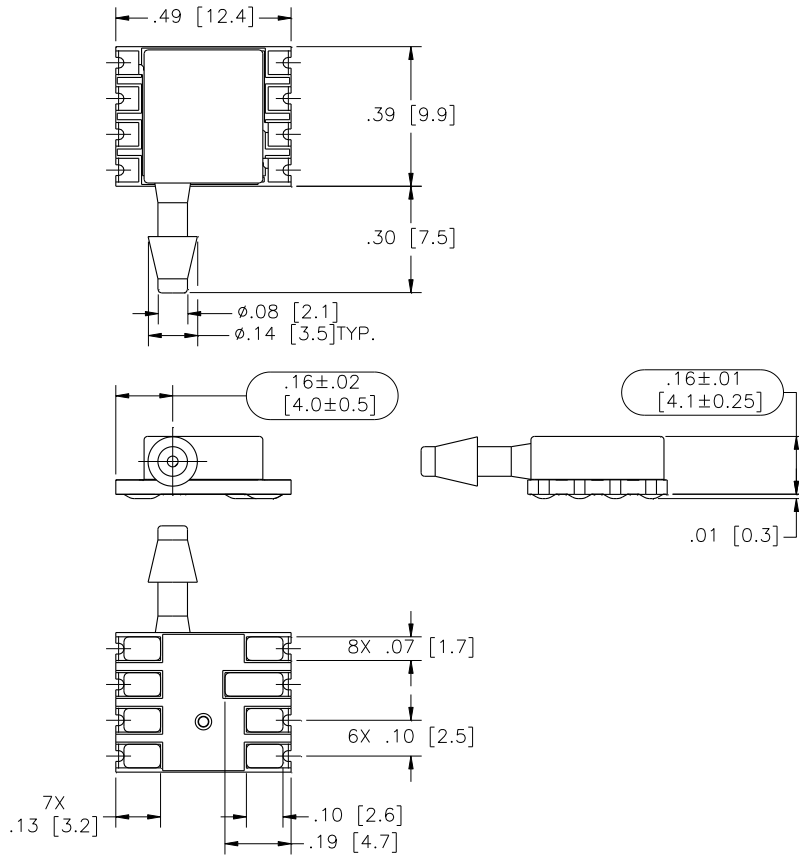
Model: MS4515-MMvoxxxyP



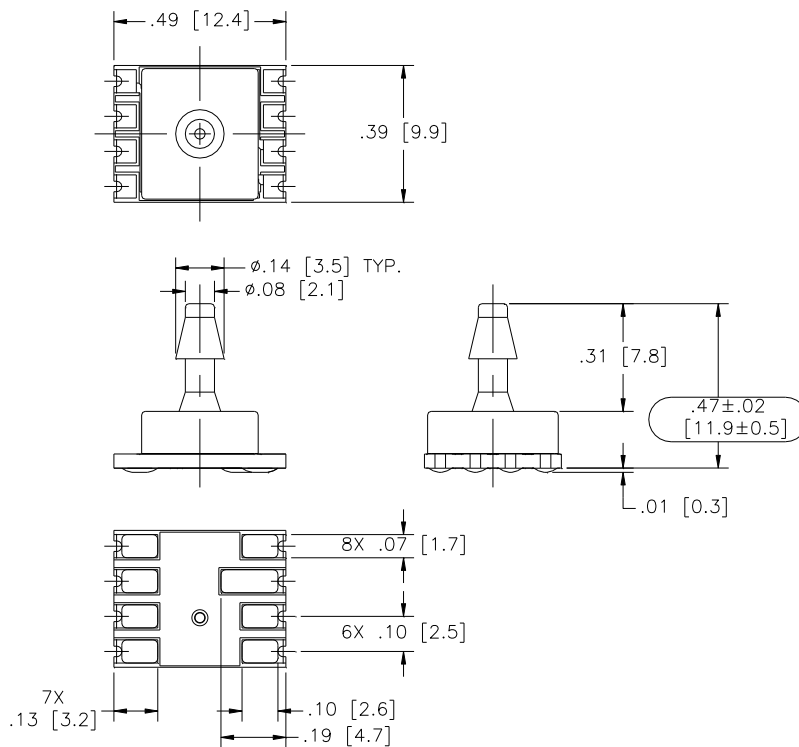
Model: MS4515-MMvoxxxyS



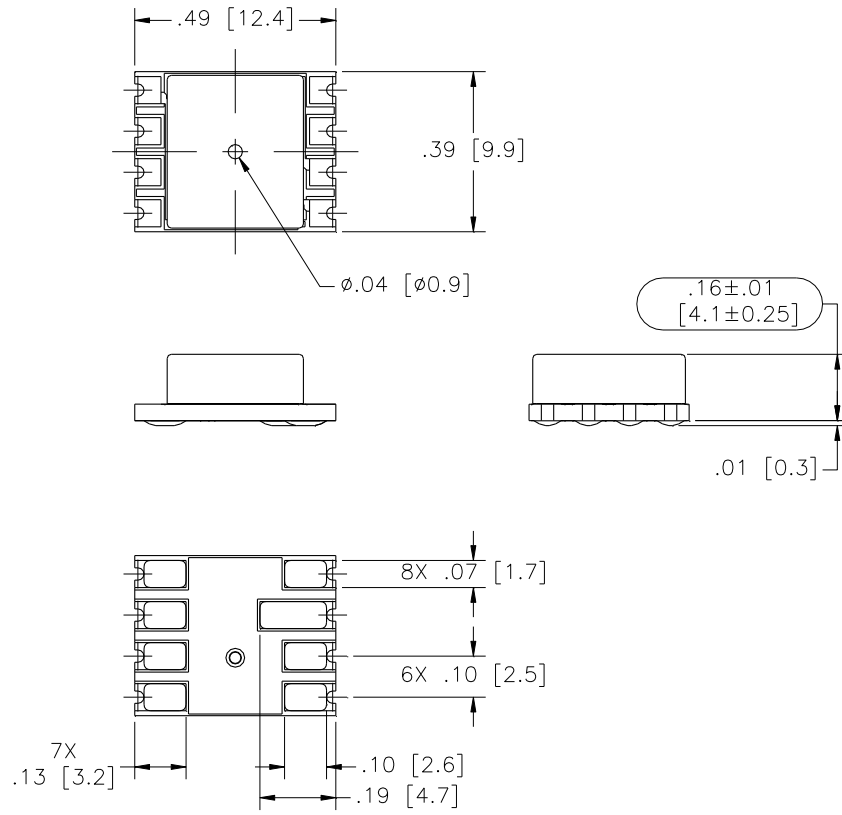
Model: MS4515-SSvoxxxxyC



Model: MS4515-TPvoxxxxyC



Model: MS4515-MMvoxxxyC



**AVAILABLE OPTIONS**

**Gel Coat (-F Option)**

The MS4515 is designed for non ionic and clean dry air applications. Select this option for added protection in high humidity or slightly corrosive environments with the application of a silicone gel elastomer to sensor and ASIC. For questions concerning media compatibility, contact the factory.

**ORDERING INFORMATION**

4515	-	DS	3	A	004	G	P	
Model	-	Package Style	Supply Voltage	Output Type	Pressure Range (" H <sub>2</sub> O)	Pressure Type	Pin Style	Option Type
<b>MS4515</b>	-	<b>SS</b> = Single Sideport <b>DS</b> = Dual Sideport <b>TP</b> = Top Port <b>MM</b> = Manifold Mount	<b>3</b> = 3.3 Vdc <b>5</b> = 5.0 Vdc	<b>A</b> = 10% to 90% <b>B</b> = 5% to 95%	<b>002</b> <b>004</b> <b>005</b> <b>010</b> <b>020</b> <b>030</b>	<b>D</b> = Differential <b>G</b> = Gage	<b>P</b> = Thru Hole <b>S</b> = J Lead <b>L</b> = In Line <b>C</b> = Castellation	<b>Blank</b> = No Option <b>F</b> = Gel Coating

**NORTH AMERICA**

Measurement Specialties, Inc.,  
a TE Connectivity company  
45738 Northport Loop West  
Fremont, CA 94538  
Tel: +1 800 767 1888  
Fax: +1 510 498 1578  
[customercare.frmt@te.com](mailto:customercare.frmt@te.com)

**EUROPE**

MEAS Switzerland Sarl,  
a TE Connectivity company  
Ch. Chaillons-des-Prés 11  
CH-2022 Bevaix  
Tel: +41 32 847 9550  
Fax: +41 32 847 9569  
[customercare.bevx@te.com](mailto:customercare.bevx@te.com)

**ASIA**

Measurement Specialties (China) Ltd.,  
a TE Connectivity company  
No. 26 Langshan Road  
Shenzhen High-Tech Park (North) Nanshan District,  
Shenzhen, 518057  
China  
Tel: +86 755 3330 5088  
Fax: +86 755 3330 5099  
[customercare.shzn@te.com](mailto:customercare.shzn@te.com)

**TE.com/sensorsolutions**

Measurement Specialties, Inc., a TE Connectivity company.

Measurement Specialties, TE Connectivity, TE Connectivity (logo) and EVERY CONNECTION COUNTS are trademarks. All other logos, products and/or company names referred to herein might be trademarks of their respective owners.

The information given herein, including drawings, illustrations and schematics which are intended for illustration purposes only, is believed to be reliable. However, TE Connectivity makes no warranties as to its accuracy or completeness and disclaims any liability in connection with its use. TE Connectivity's obligations shall only be as set forth in TE Connectivity's Standard Terms and Conditions of Sale for this product and in no case will TE Connectivity be liable for any incidental, indirect or consequential damages arising out of the sale, resale, use or misuse of the product. Users of TE Connectivity products should make their own evaluation to determine the suitability of each such product for the specific application.

© 2015 TE Connectivity Ltd. family of companies All Rights Reserved.