

RMASU/V/HD - SERIES

ASSEMBLY INSTRUCTIONS FOR 19" PANEL MOUNT ADJUSTABLE SHELVES

BUL10302

REV. C

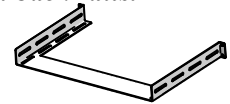
PAGE 1 OF 1

| ITEM No. | DESCRIPTION | QTY |
|----------|-----------------------|-----|
| 1 | PANEL MOUNT ADJ SHELF | 1 |
| 2 | REAR MOUNTING BRACKET | 1 |
| 3 | SCREW - 10-32 X 1/2 | 14 |
| 4 | NUT - 10-32 | 6 |

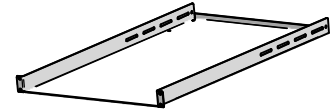
FOR INSTALLATION ON SQUARE HOLE RAILS, CAGE NUTS ARE REQUIRED (SOLD SEPARATELY).

ASSEMBLY INSTRUCTIONS

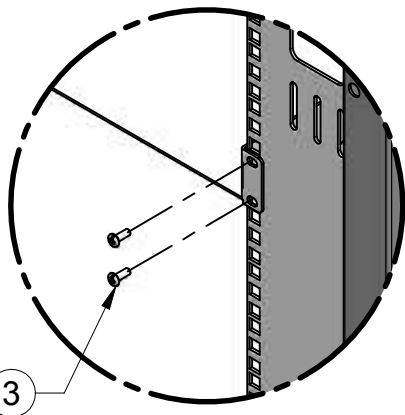
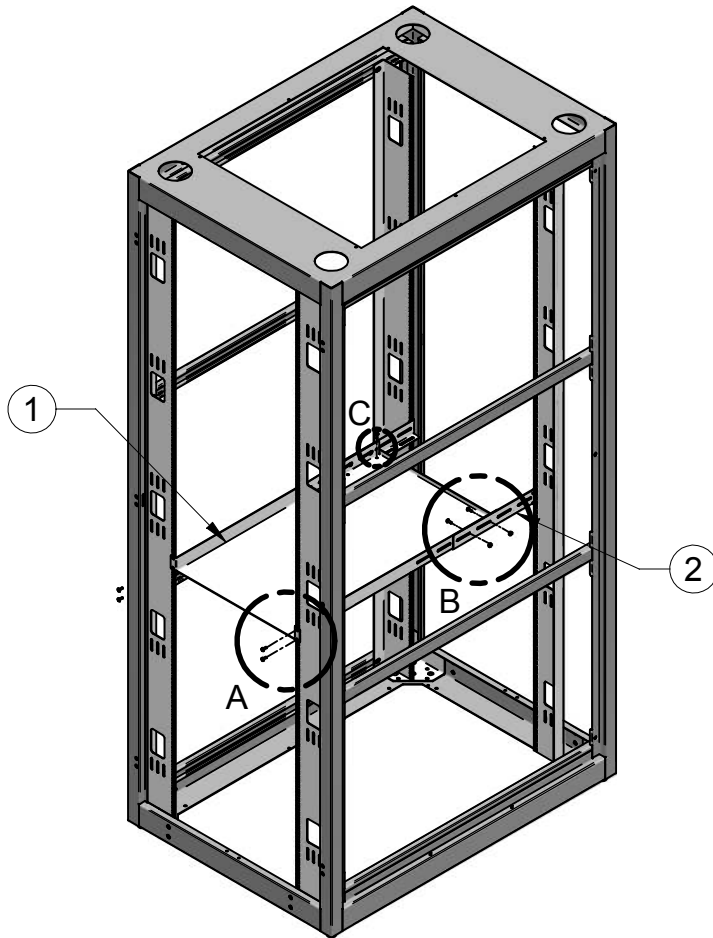
1) Locate *rear mounting bracket* 1st at desired location on *back rails*.



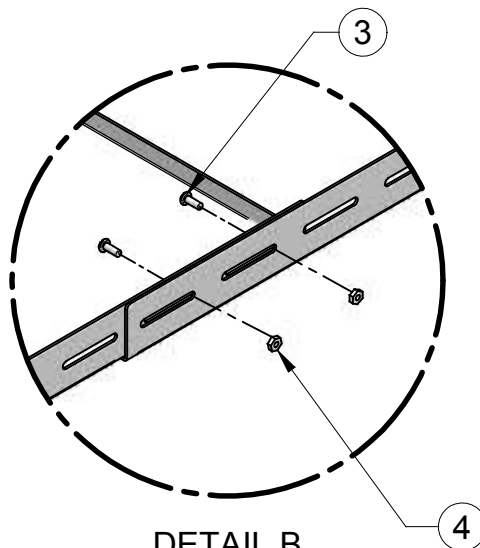
2) Locate shelf on front rails using same hole location as back rails. (back of shelf should rest on rear mounting bracket). Fasten using hardware supplied. (For sq hole rails cage nuts will be required, sold separately)



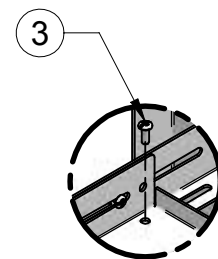
3) Fasten shelf to brackets as shown in Detail B.



DETAIL A



DETAIL B



DETAIL C

*ONLY REQUIRED UNDER EXTREME LOADS.

TOOL BOX



Phillips
Screw Driver



**HAMMOND
MANUFACTURING™**
ELECTRONICS GROUP

visit our website @ www.hammondmfg.com