

# APPROVAL SHEET

**RFBLN Series – 1608(0603)- RoHS Compliance**

**MULTILAYER CERAMIC BALUN TRANSFORMER**

**2.4 GHz ISM Band Working Frequency**

**P/N: RGBLN1608070A5T**

\*Contents in this sheet are subject to change without prior notice.

**Approval sheet**

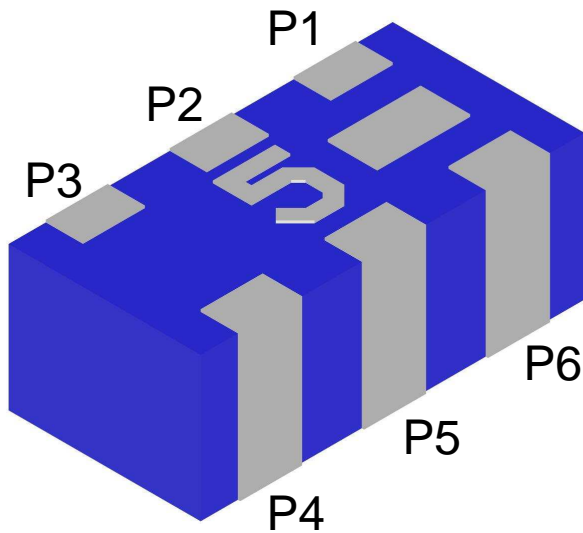
**FEATURES**

1. Multilayer LTCC ( Low Temperature Cofired Ceramics ) Technology
2. Miniatured Size 1.6 x 0.8 x 0.7 mm<sup>3</sup>
3. Low Insertion Loss reduces power consumption
4. Low inband Amplitude and Phase imbalance enable high performance wireless system operation.
5. Enable for DC Biasing of PA or Mixer
6. Suitable for 2.45 GHz Working Frequency Operation
7. Special Balance/ Unbalance impedance is upon requested.

**APPLICATIONS**

1. 2.4GHz ISM Band RF Application
2. Bluetooth, Wireless LAN, HomeRF

**CONSTRUCTION**



| PIN | Connection      |
|-----|-----------------|
| P1  | Unbalanced port |
| P2  | DC or GND       |
| P3  | Balanced port   |
| P4  | Balanced port   |
| P5  | GND             |
| P6  | NC              |

**DIMENSIONS**

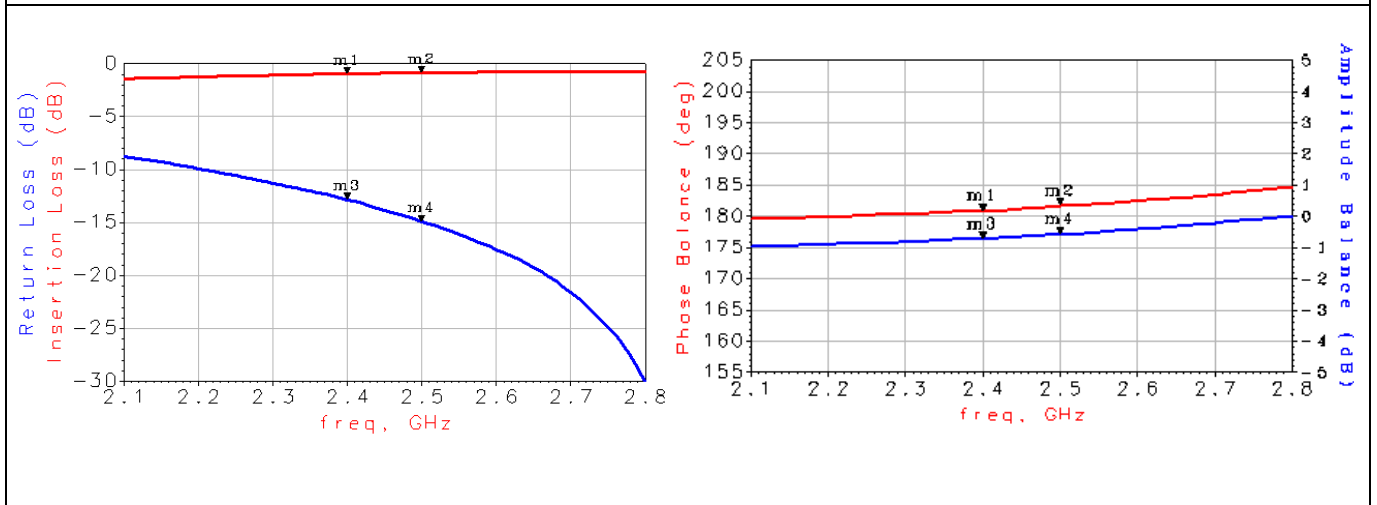
| Figure | Symbol      | Dimension (mm) |
|--------|-------------|----------------|
|        | L           | 1.60 ± 0.15    |
|        | W           | 0.80 ± 0.15    |
|        | T           | 0.70 ± 0.10    |
|        | A           | 0.175 ± 0.15   |
|        | B           | 0.25 ± 0.15    |
|        | C           | 0.25 ± 0.15    |
|        | D           | 0.50 ± 0.15    |
| E      | 0.20 ± 0.15 |                |

Approval sheet

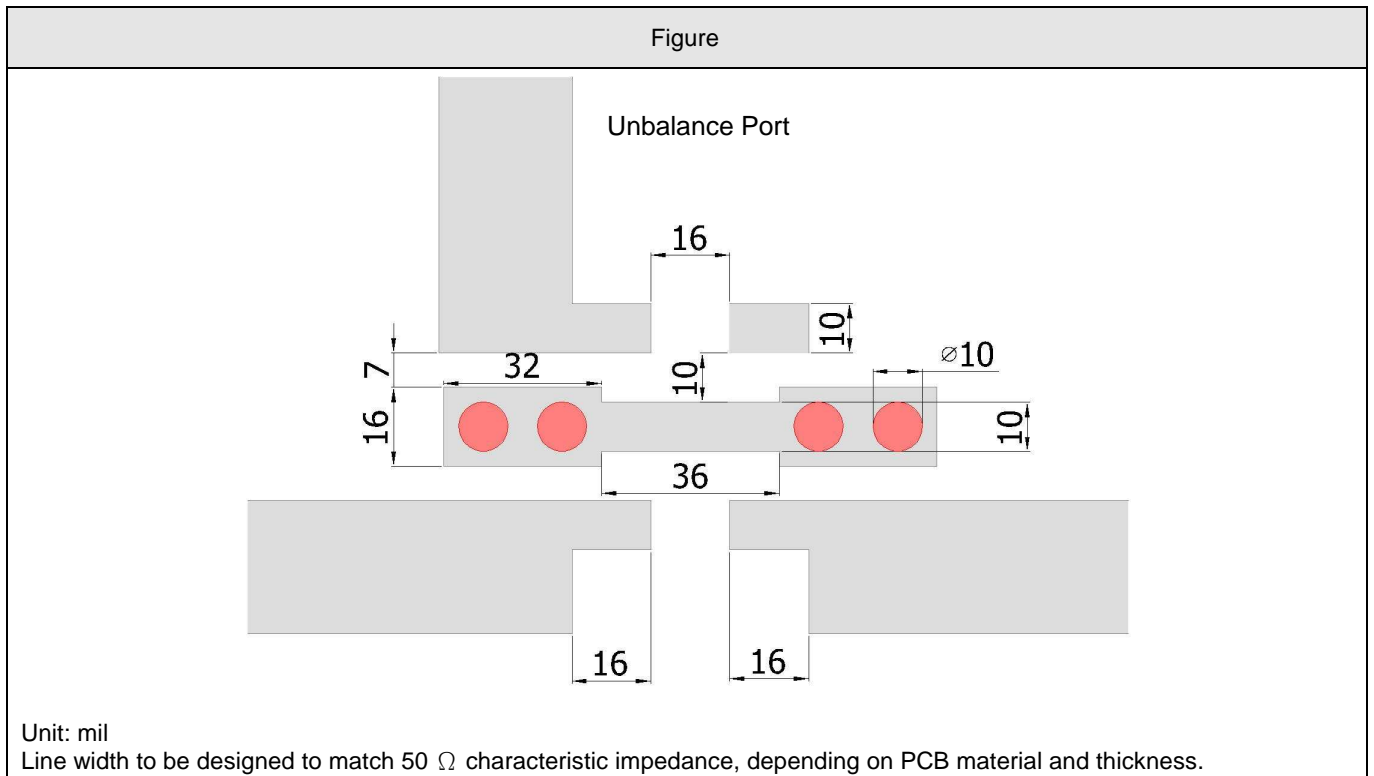
**ELECTRICAL CHARACTERISTICS**

| RGLN1608070A5T         | Specification   |
|------------------------|-----------------|
| Frequency range        | 2400 ~ 2500 MHz |
| Insertion Loss         | 1.2 dB max      |
| VSWR                   | 2.0 max         |
| Impedance (Unbalanced) | 50 Ω            |
| Impedance (Balanced)   | 100 Ω           |
| Phase Difference       | 180° ± 10°      |
| Amplitude Difference   | 2.0 dB Max      |

**Typical Electrical Chart**



**SOLDER LAND PATTERN**



## RELIABILITY TEST

| Test item  | Test condition / Test method   | Specification   |
|--|--|---|
| Solderability<br>JIS C 0050-4.6<br>JESD22-B102D                            | *Solder bath temperature : $235 \pm 5^{\circ}\text{C}$<br>*Immersion time : $2 \pm 0.5$ sec<br><br>Solder : Sn3Ag0.5Cu for lead-free   | At least 95% of a surface of each terminal electrode must be covered by fresh solder.   |
| Leaching<br>(Resistance to dissolution of metallization)<br>IEC 60068-2-58 | *Solder bath temperature : $260 \pm 5^{\circ}\text{C}$<br>*Leaching immersion time : $30 \pm 0.5$ sec<br><br>Solder : SN63A  | Loss of metallization on the edges of each electrode shall not exceed 25%.  |
| Resistance to soldering heat<br>JIS C 0050-5.4                             | *Preheating temperature : $120\sim 150^{\circ}\text{C}$ ,<br>1 minute.<br>*Solder temperature : $270\pm 5^{\circ}\text{C}$<br>*Immersion time : $10\pm 1$ sec<br><br>Solder : Sn3Ag0.5Cu for lead-free<br><br>Measurement to be made after keeping at room temperature for $24\pm 2$ hrs               | No mechanical damage.<br><br>Samples shall satisfy electrical specification after test.<br><br>Loss of metallization on the edges of each electrode shall not exceed 25%. |
| Drop Test<br>JIS C 0044<br>Customer's specification.                       | *Height : 75 cm<br>*Test Surface : Rigid surface of concrete or steel.<br><br>*Times : 6 surfaces for each units : 2 times for each side.  | No mechanical damage.<br><br>Samples shall satisfy electrical specification after test.   |
| Adhesive Strength of Termination<br>JIS C 0051- 7.4.3                      | *Pressurizing force :<br>$5\text{N}(\leq 0603)$ ; $10\text{N}( >0603)$<br>*Test time : $10\pm 1$ sec   | No remarkable damage or removal of the termination.   |
| Bending test<br>JIS C 0051- 7.4.1  | The middle part of substrate shall be pressurized by means of the pressurizing rod at a rate of about 1 mm/s per second until the deflection becomes 1mm/s and then pressure shall be maintained for $5\pm 1$ sec.<br><br>Measurement to be made after keeping at room temperature for $24\pm 2$ hours | No mechanical damage.<br><br>Samples shall satisfy electrical specification after test.   |

Approval sheet

|  |  |   |
|--|--|---|
| <p>Temperature cycle<br/>JIS C 0025</p>                | <p>1. 30±3 minutes at -40°C±3°C,<br/>2. 10~15 minutes at room temperature,<br/>3. 30±3 minutes at +85°C±3°C,<br/>4. 10~15 minutes at room temperature,<br/>Total 100 continuous cycles<br/>Measurement to be made after keeping at room temperature for 24±2 hrs</p> | <p>No mechanical damage.<br/>Samples shall satisfy electrical specification after test.</p> |
| <p>Vibration<br/>JIS C 0040</p>                        | <p>*Frequency : 10Hz~55Hz~10Hz(1min)<br/>*Total amplitude : 1.5mm<br/>*Test times : 6hrs.(Two hrs each in three mutually perpendicular directions)</p>   | <p>No mechanical damage.<br/>Samples shall satisfy electrical specification after test.</p> |
| <p>High temperature<br/>JIS C 0021</p>                 | <p>*Temperature : 85°C±2°C<br/>*Test duration : 1000+24/-0 hours<br/>Measurement to be made after keeping at room temperature for 24±2 hrs</p>   | <p>No mechanical damage.<br/>Samples shall satisfy electrical specification after test.</p> |
| <p>Humidity<br/>(steady conditions)<br/>JIS C 0022</p> | <p>*Humidity : 90% to 95% R.H.<br/>*Temperature : 40±2°C<br/>*Time : 1000+24/-0 hrs.<br/>Measurement to be made after keeping at room temperature for 24±2 hrs<br/>※ 500hrs measuring the first data then 1000hrs data</p>   | <p>No mechanical damage.<br/>Samples shall satisfy electrical specification after test.</p> |
| <p>Low temperature<br/>JIS C 0020</p>                  | <p>*Temperature : -40°C±2°C<br/>*Test duration : 1000+24/-0 hours<br/>Measurement to be made after keeping at room temperature for 24±2 hrs</p>  | <p>No mechanical damage.<br/>Samples shall satisfy electrical specification after test.</p> |

**SOLDERING CONDITION**

Typical examples of soldering processes that provide reliable joints without any damage are given in Fig 2,

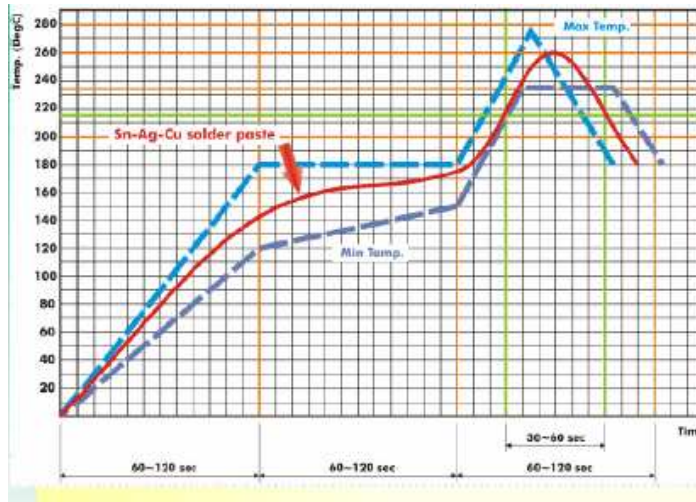


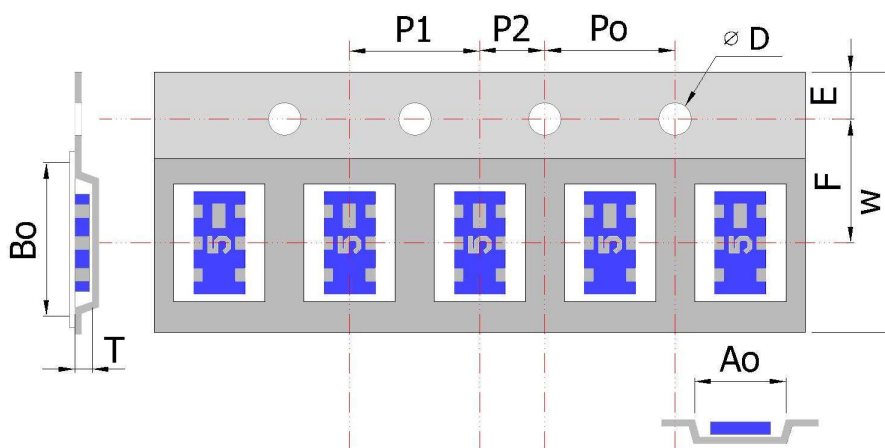
Fig 2. Infrared soldering profile

**ORDERING CODE**

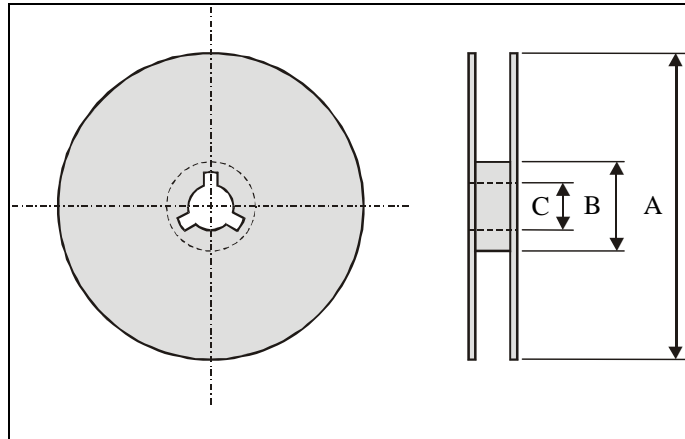
|   |   |   |  |   |  |                                   |
|---|---|---|--|---|--|-----------------------------------|
| <b>RG</b><br>Walsin<br>RG: RF<br>/Pb free<br>device | <b>BLN</b><br>Product<br>Code<br>BLN :<br>BALUN | <b>160807</b><br>Dimension<br>code<br>Per 2 digits of<br>Length, Width,<br>Thickness :<br>e.g. :<br>160807 = Length<br>16, Width 08,<br>Thickness07 | <b>0</b><br>Unit of<br>dimension<br>0 : 0.1 mm<br>1 : 1.0 mm | <b>A</b><br>Application<br>A : 2.4GHZ ISM<br>Band | <b>5</b><br>Specification<br>Design Code | <b>T</b><br>Packing<br>T : Reeled |
|---|---|---|--|---|--|-----------------------------------|

**PACKAGING**

Paper Tape specifications (unit :mm)



|                |             |             |             |             |             |
|----------------|-------------|-------------|-------------|-------------|-------------|
| Index          | Ao          | Bo          | ΦD          | T           | W           |
| Dimension (mm) | 0.975± 0.05 | 1.76 ±0.05  | 1.55 + 0.05 | 0.75± 0.03  | 8.0 ± 0.10  |
| Index          | E           | F           | Po          | P1          | P2          |
| Dimension (mm) | 1.75 ± 0.10 | 3.50 ± 0.05 | 4.00 ± 0.10 | 4.00 ± 0.10 | 2.00 ± 0.05 |

**Reel dimensions**

| Index          | A      | B     | C     |
|----------------|--------|-------|-------|
| Dimension (mm) | Φ178.0 | Φ60.0 | Φ13.0 |

Taping Quantity: 4000 pieces per 7" reel

**CAUTION OF HANDLING****Limitation of Applications**

Please contact us before using our products for the applications listed below which require especially high reliability for the prevention of defects, which might directly cause damage to the third party's life, body or property.

- (1) Aircraft equipment
- (2) Aerospace equipment
- (3) Undersea equipment
- (4) Medical equipment
- (5) Disaster prevention / crime prevention equipment
- (6) Traffic signal equipment
- (7) Transportation equipment (vehicles, trains, ships, etc.)
- (8) Applications of similar complexity and /or reliability requirements to the applications listed in the above.

**Storage condition**

- (1) Products should be used in 6 months from the day of WALSIN outgoing inspection, which can be confirmed.
- (2) Storage environment condition.
  - Products should be storage in the warehouse on the following conditions.
  - Temperature : -10 to +40℃
  - Humidity : 30 to 70% relative humidity
  - Don't keep products in corrosive gases such as sulfur. Chlorine gas or acid or it may cause oxidization of electrode, resulting in poor solderability.
  - Products should be storage on the palette for the prevention of the influence from humidity, dust and son on.
  - Products should be storage in the warehouse without heat shock, vibration, direct sunlight and so on.
  - Products should be storage under the airtight packaged condition.