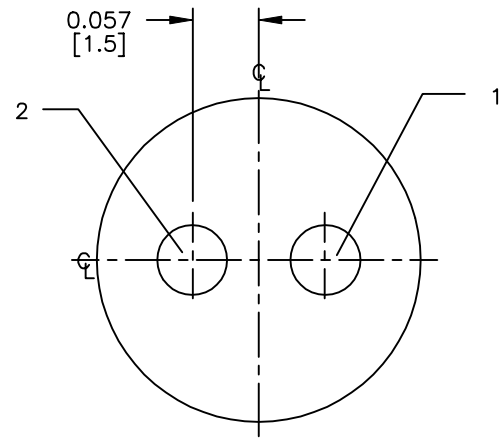
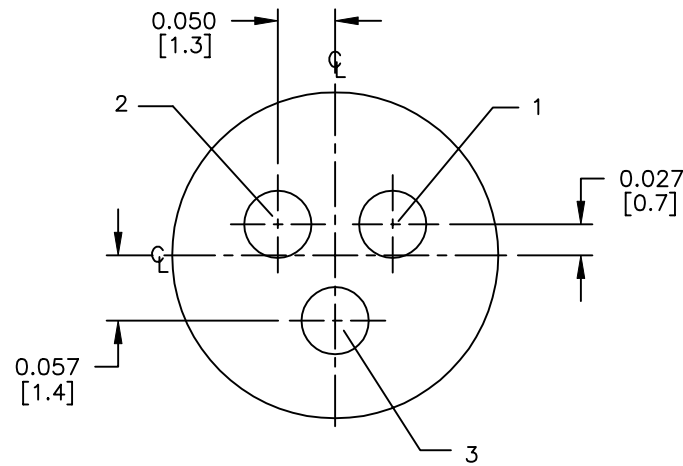


CUSTOMER APPROVAL

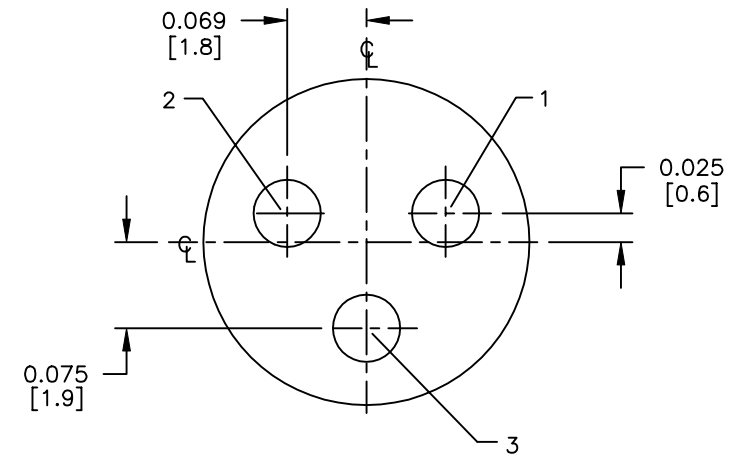
CHECKED BY: _____
 APPROVED BY: _____
 DATE: _____



2-#20
 PC TAIL DIA. 0.0395 ±0.001 REF.




3-#20
 PC TAIL DIA. 0.0395 ±0.001 REF.
 PANEL SOCKET



3-#20
 PC TAIL DIA. 0.0395 ±0.001 REF.
 PANEL PIN

WIRE VIEWS

D	AN	04-11-06	ADDED CUSTOMER PRINT PER DOR 04-E149JC/ECR 6107
REV.	INIT.	DATE	DESCRIPTION
ALL INFORMATION ILLUSTRATED IS THE PROPERTY OF CONKALL CORPORATION. UNAUTHORIZED DUPLICATION OR DISTRIBUTION OF THIS DOCUMENT IS PROHIBITED.			 601 E. WILDWOOD VILLA PARK, IL 60181 TITLE: HOLE PATTERNS MICRO-CON-X
ALL UNITS ARE IN FEET, INCHES, FRACTION OF INCHES AND DECIMALS. UNLESS OTHERWISE SPECIFIED TOLERANCES: 3 PLACE DECIMALS ±.005 ANGLES ±1° FRACTIONS ±1/16 ▽ = CRITICAL CHARACTERISTIC FLAG PER SPEC. XXXX			
ORIG. DRAWN BY: AL DATE: 04-27-99		CHECKED BY: _____ APPROVED BY: _____	
SCALE	SIZE	SHEET	
6:1	B	1 OF 1	
FILE:	DIRECTORY:	CUSTOMER:	REV.
HPMCSTDH1	DETAILS	PART NUMBER: HPMCSTD	D