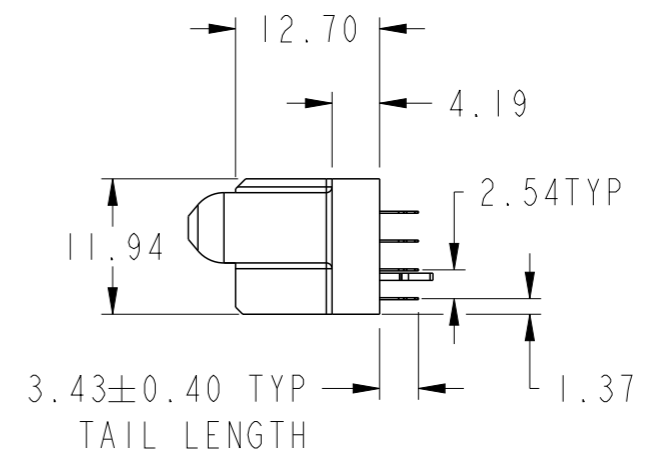
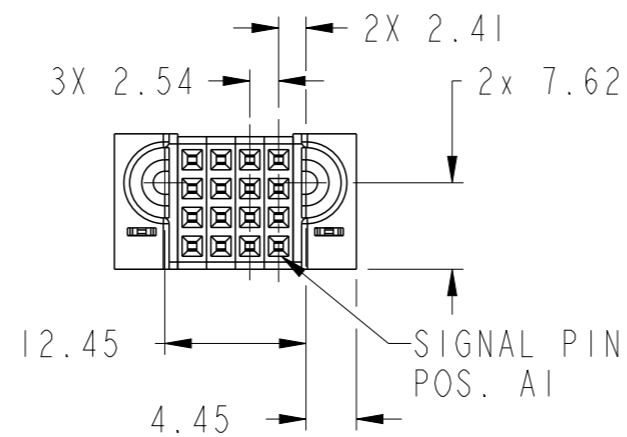
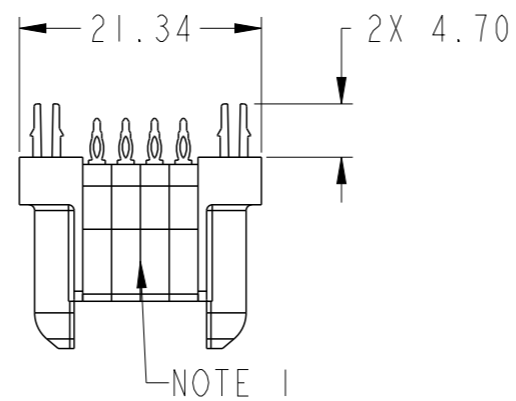
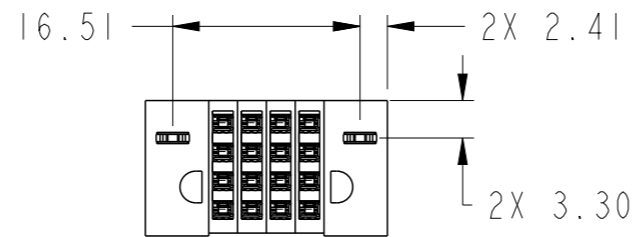


PRODUCT NUMBER SEE SHEET 2

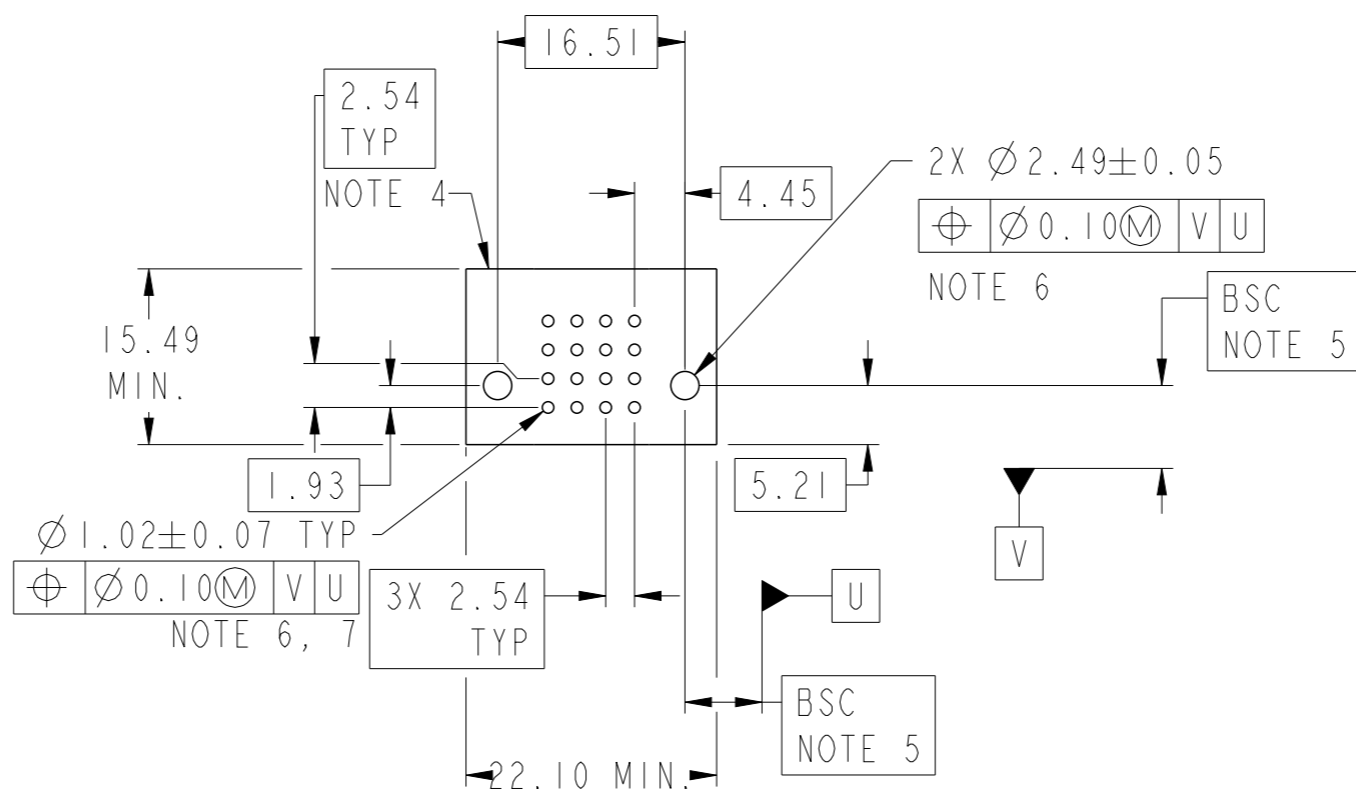


spec ref		dr	Peng-Bing Fu	2013/01/29	projection	MM	size	A3	scale	3:2
tolerance std		eng	Peng-Bing Fu	2013/05/08			ecn no		-	
ASME Y14.5		chr	-	-			rel level		Released	
surface <input checked="" type="checkbox"/> linear ASME Y14.5 angular		0.X		±0.50			title 16S VT PF RECEPTACLE		cat. no. Product - Customer Drw	
		0.XX		±0.25						
		0.XXX		±0.10						
ASME Y14.5		0°		±2°	www.fci.com		dwg no 10106269-0004001		rev A	

Copyright FCI.
FCI

PRODUCT NO.	ROWS	SIGNAL					
		E1	4	3	2	1	E2
10106269-0004001LF	DCBA		F	F	F	F	F
		F	F	F	F	F	
		F	F	F	F	F	
		F	F	F	F	F	

CODE	DESCRIPTION
F	STD SIGNAL CONTACT
HA	METAL HOLD DOWN



Copyright FCI.

dr	Peng-Bing Fu	2013/01/29	projection	MM	size	A3	scale	3:2			
eng	Peng-Bing Fu	2013/05/08		← →	ecn no	-	rel level	Released			
chr	-	-									
appr	Pei-Ming Zheng	2013/05/08	product family	PowerBlade+							
			title		16S		dwg no		10106269-0004001	rev	A
www.fci.com			cat. no.		Product - Customer Drw			sheet 2 of 3			

A

B

C

D

A

B

C

D

NOTES:

- 1) "FCI", PART NUMBER AND DATE CODE TO BE MARKED ON THIS SURFACE.
THE MARK CAN BE OMITTED IF THERE IS NOT ENOUGH SPACE ON THIS SURFACE.
- 2) MATERIALS:
-HOUSING - GLASS FILLED WITH HIGH TEMP THERMOPLASTIC, UL94V-0.
-SIGNAL CONTACT - COPPER ALLOY.
-POWER CONTACT - HIGH CONDUCTIVITY COPPER ALLOY.
- 3) PLATING SPECIFICATION REFER TO FCI 10116351
- 4) DENOTES CONNECTOR KEEP OUT ZONE.
- 5) DATUM AND BASIC DIMENIONS WERE ESTABLISHED BY CUSTOMER.
- 6) ALL HOLE DIAMETERS ARE FINISHED HOLE SIZES.
- 7) 1.15 ± 0.025MM DRILLED HOLE PLATED WITH 0.00762MM MIN Sn
OVER 0.0254-0.0762MM Cu PLATING TO ACHIEVE A 1.02 ± 0.07MM HOLE.
- 8) PRODUCT SPECIFICATION REFER TO FCI GS-12-658.
APPLICATION SPECIFICATION REFER TO FCI GS-20-141.
PRODUCT PACKAGED IN TRAYS, REFER TO FCI GS-14-1502.
- 9) THE VOID CORING IN BETWEEN POWER MODULES, SIGNAL
MODULES AND END MODULES ARE OPTIONAL AND THE SHAPE
MAY BE DIFFERENT FOR OPTIMIZE THE MOLDING PROCESS. THE
VOID CORING WILL NOT EFFECT TO PRODUCT FUNCTION.



Copyright FCI.

dr	Peng-Bing Fu	2013/01/29	projection 	MM ←→	size	A3	scale	1:1	
eng	Peng-Bing Fu	2013/05/08			ecn no	-			
chr	-	-			rel level	Released			
appr	Pei-Ming Zheng	2013/05/08	product family	PowerBlade+					
		title	16S VT PF RECEPTACLE		dwg no	10106269-0004001		rev	A
www.fci.com		cat. no.	Product - Customer Drw		sheet 3 of 3				