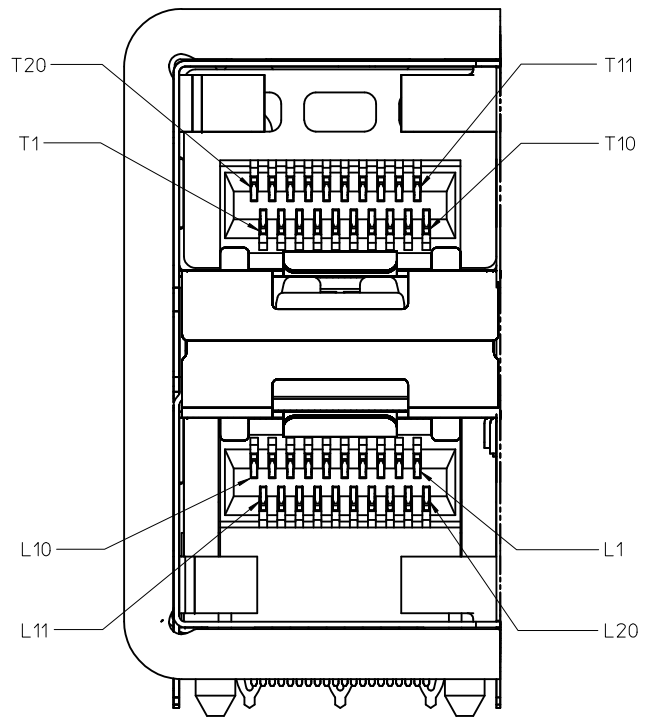
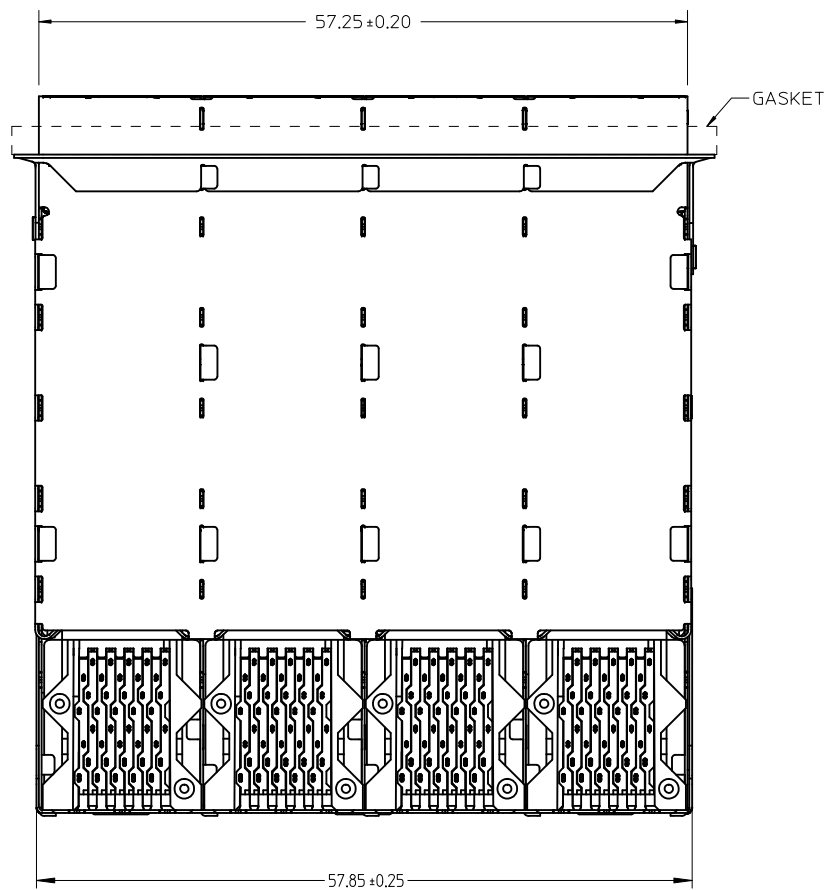


NOTES:

- MATERIAL:
  - CAGE: NICKEL SILVER, THICKNESS: 0.25mm
  - EMI GASKET: CONDUCTIVE ELASTOMER
  - CONNECTOR HOUSING: GLASS FILLED HIGH TEMP PLASTIC, 94 V-0
  - COLOR: BLACK
  - OVERMOLDED TERMINAL HOUSING: GLASS FILLED HIGH TEMP PLASTIC, 94 V-0, COLOR: BLACK
  - TERMINALS: TIN BRASS
- FINISHES:
  - TERMINALS: CONTACT AREA: 0.76 MICROMETERS MINIMUM HARD GOLD OVER 1.27 MICROMETERS MINIMUM NICKEL.
  - COMPLIANT TAIL - MATTE TIN/LEAD OPTION: 0.76 TO 1.52 MICROMETERS 90/10 MATTE TIN-LEAD OVER 0.76 MICROMETERS MINIMUM NICKEL.
  - COMPLIANT TAIL - MATTE TIN OPTION: 0.76 TO 1.52 MICROMETERS MATTE TIN OVER 0.76 MICROMETERS MINIMUM NICKEL.
- REFER TO PS-75310-001 PRODUCT SPEC FOR ALL ELECTRICAL, MECHANICAL AND ENVIRONMENTAL SPECIFICATIONS.
- REFER TO PK-75450-001 FOR ALL PACKAGING SPECIFICATIONS.
- ALL EXTERIOR SURFACES TO BE CLASS "B" SURFACE EXCEPT THE UNDER SIDE OF THE CAGE WHERE THE PCB WOULD BE LOCATED AND AS NOTED. THE SURFACES TO CONFORM TO THE MOLEX COSMETIC DOC PS-45499-002.
- REFER TO AS-76090-001 FOR HIGH SPEED ROUTING RECOMMENDATIONS.
- DATE CODE LOCATION IS SHOWN ABOVE.
  - DATE CODE FORMAT: DDDY MX A1
  - DDD = DAY OF THE YEAR
  - Y = YEAR
  - MX = MOLEX
  - A = ALPHA CHARACTER - INDICATES MANUFACTURING LINE
  - 1 = NUMERIC CHARACTER - INDICATES PRODUCTION SHIFT

PART NUMBER	COMPLIANT TAIL PLATING
761020001	MATTE TIN / LEAD
761025001	MATTE TIN

ADD NOTE 6 & 7 EC NO: UCP2011-2594 DRWN:WOLFE 2011/03/02 CHKD:BBARKER 2011/03/02 APPR:SMILLER 2011/09/20	QUALITY SYMBOLS ▽=0 ▽=0 ▽=0	GENERAL TOLERANCES (UNLESS SPECIFIED)		DIMENSION STYLE <b>MM ONLY</b>		SCALE <b>3:1</b>	DESIGN UNITS <b>METRIC</b>	THIRD ANGLE PROJECTION		
		mm		INCH		DRAWN BY JLONG	DATE 01-18-2007	TITLE <b>STACKED SFP+ 2X4 ASS'Y WITH ELASTOMERIC GASKET</b>		
		4 PLACES ± ---		± ---		CHECKED BY MSANDBERG	DATE 01-18-2007			
		3 PLACES ± ---		± ---		APPROVED BY RNELSON	DATE 01-18-2007	DOCUMENT NO. <b>SD-76102-001</b>		
2 PLACES ± 0.13		± ---		MATERIAL NO.		SHEET NO. 1 OF 4				
1 PLACE ± 0.25		± ---		SIZE <b>SEE TABLE</b>					THIS DRAWING CONTAINS INFORMATION THAT IS PROPRIETARY TO MOLEX INCORPORATED AND SHOULD NOT BE USED WITHOUT WRITTEN PERMISSION	
ANGULAR ± 5 °				DRAFT WHERE APPLICABLE MUST REMAIN WITHIN DIMENSIONS						

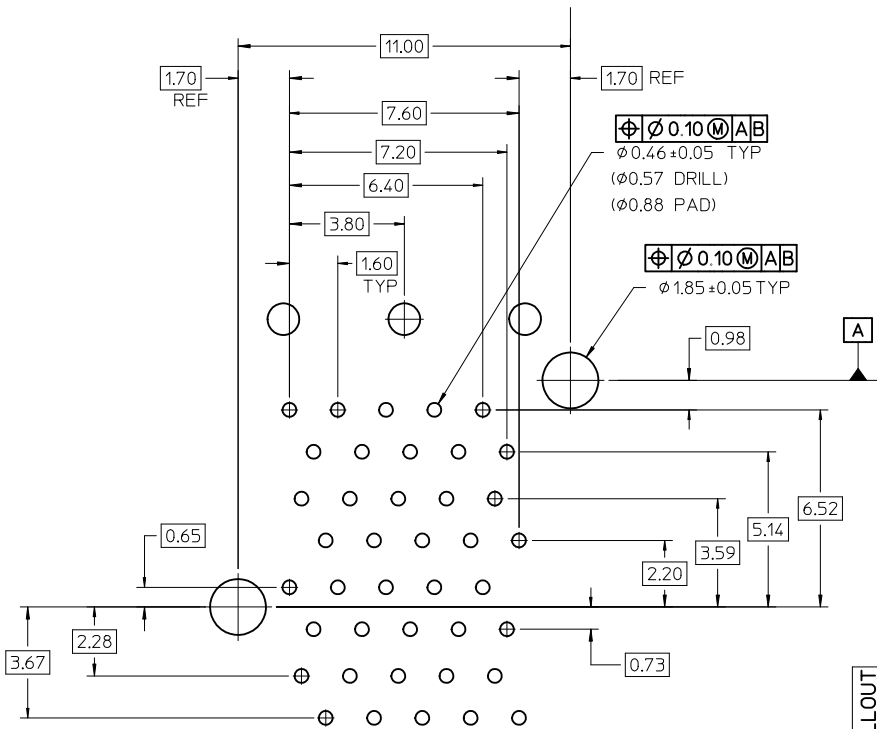


DETAIL B  
SCALE 6:1  
CIRCUIT NUMBERING

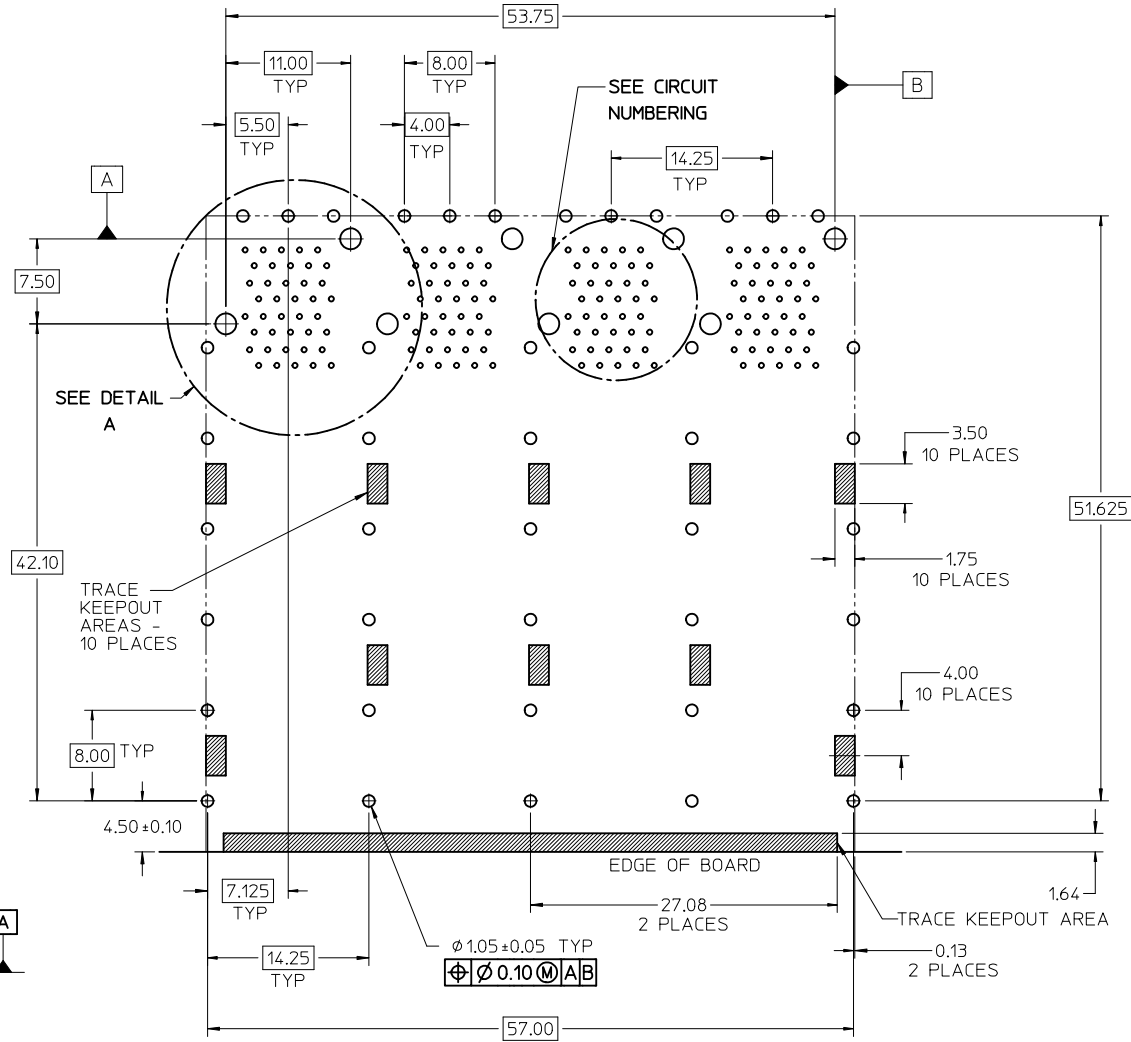
<b>ADD DETAIL B</b> EC NO: UCP2011-2594 DRWN: MWOLFE 2011/03/02 CHKD: BBARKER 2011/03/02 APPR: SMILLER 2011/09/20	QUALITY SYMBOLS	GENERAL TOLERANCES (UNLESS SPECIFIED)	DIMENSION STYLE	SCALE	DESIGN UNITS	THIRD ANGLE PROJECTION
	▽=0	mm INCH	MM ONLY	3:1	METRIC	☉
	▽=0	4 PLACES ± --- ± ---	DRAWN BY DATE	JLONG 01-18-2007	<b>STACKED SFP+ 2X4 ASS'Y WITH ELASTOMERIC GASKET</b>	
	▽=0	3 PLACES ± --- ± ---	CHECKED BY DATE	MSANDBERG 01-18-2007		
REV	DESCRIPTION	ANGULAR ± 5 °	APPROVED BY DATE	MATERIAL NO. <b>SEE TABLE</b>		DOCUMENT NO. <b>SD-76102-001</b>
		DRAFT WHERE APPLICABLE MUST REMAIN WITHIN DIMENSIONS	RNELSON 01-18-2007	MOLEX INCORPORATED		SHEET NO. <b>2 OF 4</b>
			SIZE C	THIS DRAWING CONTAINS INFORMATION THAT IS PROPRIETARY TO MOLEX INCORPORATED AND SHOULD NOT BE USED WITHOUT WRITTEN PERMISSION		

T20 T18 T16 T14 T12  
 T19 T17 T15 T13 T11  
 T1 T3 T5 T7 T9  
 T2 T4 T6 T8 T10  
 L10 L8 L6 L4 L2  
 L9 L7 L5 L3 L1  
 L11 L13 L15 L17 L19  
 L12 L14 L16 L18 L20

CIRCUIT NUMBERING  
 COMPONENT SIDE OF BOARD  
 SCALE 6:1

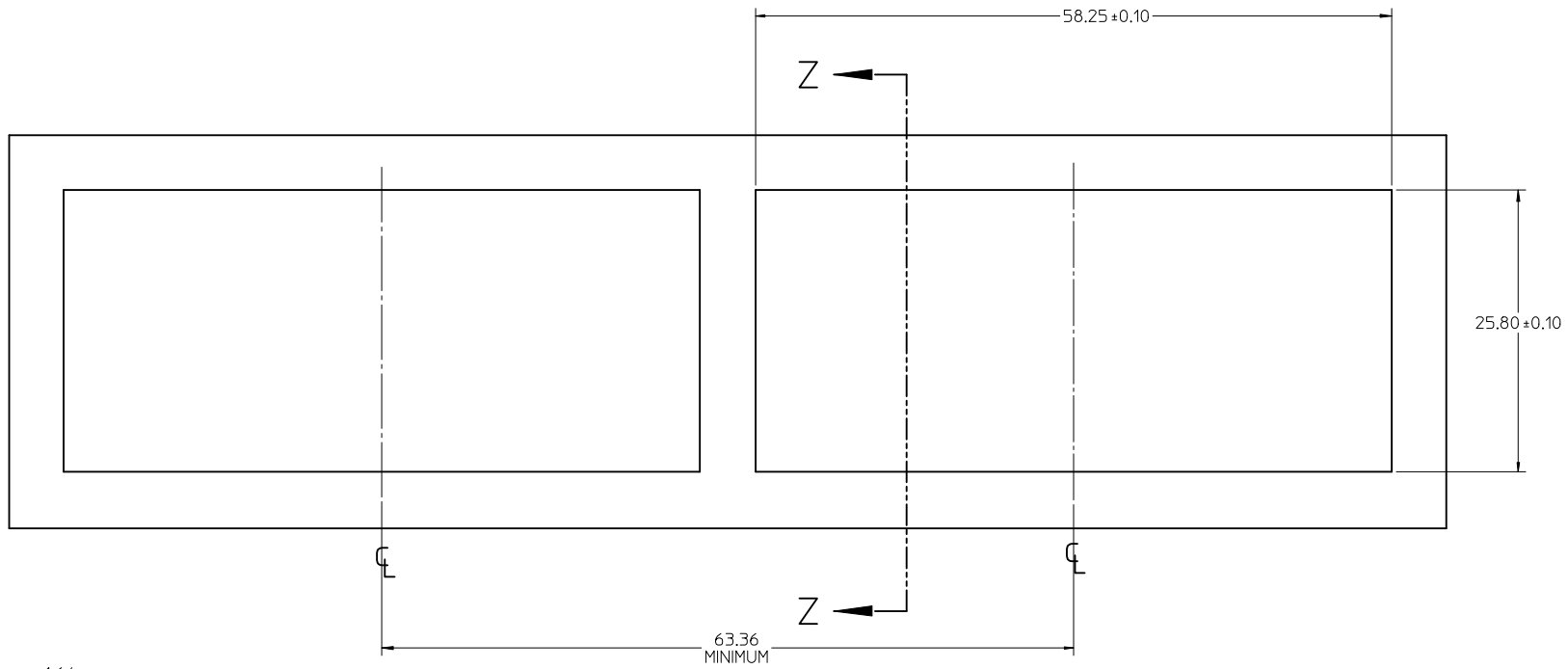


DETAIL A  
 SCALE 8:1

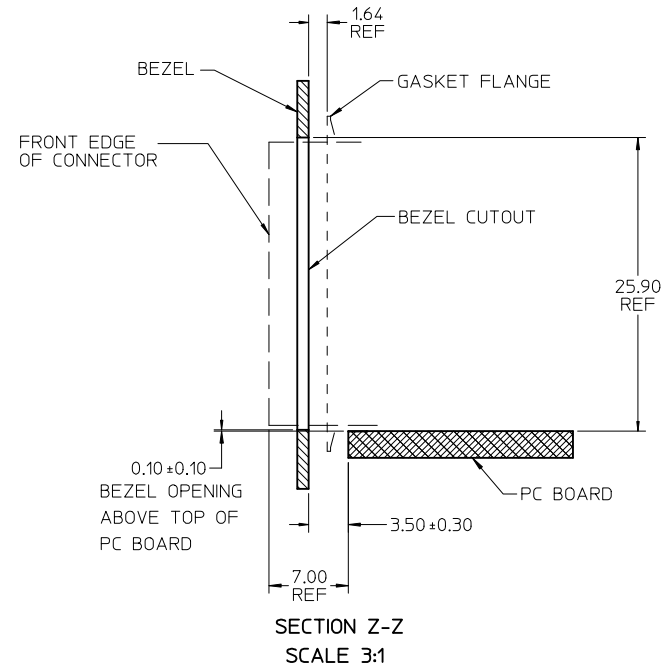


RECOMMENDED PCB LAYOUT - COMPONENT SIDE  
 RECOMMENDED PCB THICKNESS - 2.36 MM (.093 INCH)  
 THE ENTIRE AREA OF THE CONNECTOR FOOTPRINT  
 TO BE CONSIDERED THE KEEP OUT AREA FOR COMPONENTS  
 THIS AREA IS INDICATED BY THE DASHED LINE

CHG EC NO: UCP2011-2594 DRWN: MWOLFE CHKD: BBARKER APPR: SMILLER	REV 2011/03/02 2011/03/02 2011/09/20	DESCRIPTION DESCRIPTION	QUALITY SYMBOLS ▽=0 ▽=0 ▽=0	GENERAL TOLERANCES (UNLESS SPECIFIED)		DIMENSION STYLE MM ONLY		SCALE 3:1	DESIGN UNITS METRIC	THIRD ANGLE PROJECTION
				mm	INCH	DRAWN BY JLONG	DATE 01-18-2007	STACKED SFP+ 2X4 ASS'Y WITH ELASTOMERIC GASKET		
				4 PLACES ± ---	± ---	CHECKED BY MSANDBERG	DATE 01-18-2007			
				3 PLACES ± ---	± ---	APPROVED BY RNELSON	DATE 01-18-2007	MATERIAL NO. SD-76102-001		
ANGULAR ± 5 °		DRAFT WHERE APPLICABLE MUST REMAIN WITHIN DIMENSIONS		SEE TABLE		DOCUMENT NO.		SHEET NO. 3 OF 4		
THIS DRAWING CONTAINS INFORMATION THAT IS PROPRIETARY TO MOLEX INCORPORATED AND SHOULD NOT BE USED WITHOUT WRITTEN PERMISSION										



BEZEL CUTOUT CENTER SPACING DETAIL  
BEZEL THICKNESS 0.8-2.6



DELETE MIDDLE BEZEL DIM EC NO: UCP2011-2594 DRWN: MWOLFE 2011/03/02 CHKD: BBARKER 2011/03/02 APPR: SWILLER 2011/09/20	QUALITY SYMBOLS ▽=0 ▽=0 ▽=0	GENERAL TOLERANCES (UNLESS SPECIFIED)		DIMENSION STYLE <b>MM ONLY</b>	SCALE <b>3:1</b>	DESIGN UNITS <b>METRIC</b>	THIRD ANGLE PROJECTION
		4 PLACES ± --- ± ---	DRAWN BY JLONG	DATE 01-18-2007	TITLE <b>STACKED SFP+ 2X4 ASS'Y WITH ELASTOMERIC GASKET</b>		
		3 PLACES ± --- ± ---	CHECKED BY MSANDBERG	DATE 01-18-2007	MOLEX INCORPORATED		
		2 PLACES ± 0.13 ± ---	APPROVED BY RNELSON	DATE 01-18-2007	DOCUMENT NO. <b>SD-76102-001</b>		
1 PLACE ± 0.25 ± ---	ANGULAR ± 5 °		MATERIAL NO. <b>SEE TABLE</b>	SHEET NO. 4 OF 4			
DRAFT WHERE APPLICABLE MUST REMAIN WITHIN DIMENSIONS		THIS DRAWING CONTAINS INFORMATION THAT IS PROPRIETARY TO MOLEX INCORPORATED AND SHOULD NOT BE USED WITHOUT WRITTEN PERMISSION					