

NOTE
 1. 嵌合相手: 51382-****
 2. 偶数極(列)に適用。
 3. キングは両外側の位置に付加。
 4. 製品番号 MATERIAL NO.
55935-****
 極数 CIRCUIT SIZE

色 COLOR
10 自然色(白) NATURAL(WHITE)
11 黒 BLACK
12 赤 RED
13 黄 YELLOW
14 青 BLUE
15 桃 PINK
16 緑 GREEN
17 茶 BROWN
18 橙 ORANGE
19 紫 VIOLET
41 灰 GRAY
43 蛍光黄 FLUORESCENCE YELLOW
44 水 PALE BLUE
46 黄緑 YELLOWISH GREEN

推奨基板寸法
 (t = 1.6)

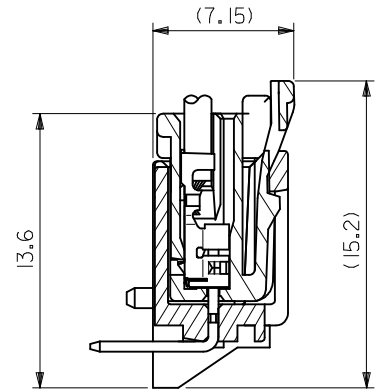
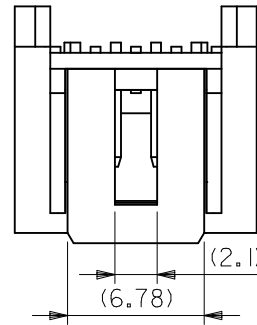
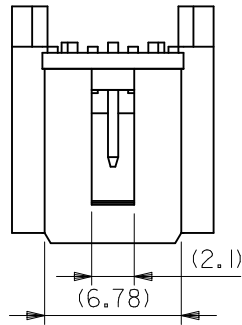
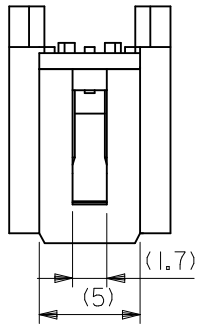
31	28	34	55935-15**	15
29	26	32	55935-14**	14
27	24	30	55935-13**	13
25	22	28	55935-12**	12
23	20	26	55935-11**	11
21	18	24	55935-10**	10
19	16	22	55935-09**	9
17	14	20	55935-08**	8
15	12	18	55935-07**	7
13	10	16	55935-06**	6
11	8	14	55935-05**	5
9	6	12	55935-04**	4
7	4	10	55935-03**	3
5	2	8	55935-02**	2
C	B	A	MATERIAL NO. CKT.	

3~15極 側面図

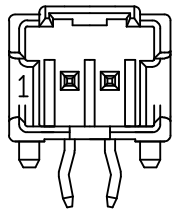
MATERIAL
 ピン: 黄銅, ニッケル下地錫メッキ
 ハウジング: PBT

REVISED	EC NO: J2014-0331	DRWN: YAJI MA01 2013/08/22	CHKD: KASAKAWA 2013/08/23	APPR: NUKITA 2013/08/26	GENERAL TOLERANCES (UNLESS SPECIFIED)		DIMENSION STYLE		SCALE	DESIGN UNITS		THIRD ANGLE PROJECTION
					10 UNDER	±0.20	MM ONLY	---	METRIC	---		
					10 OVER	±0.25	DRAWN BY	DATE	TITLE	2.0 W/B SINGLE CONN. PLUG HOUSING ASS'Y R/A -LEAD FREE-		
					30 OVER	±0.30	CHECKED BY	DATE				
					ANGULAR ±3 °		APPROVED BY	DATE		molex		
					DRAFT WHERE APPLICABLE MUST REMAIN WITHIN DIMENSIONS		T. YAMAGUCHI	'03/06/12				
							MATERIAL NO.		SEE CHART	DOCUMENT NO.	SHEET NO.	
							SIZE	A3	THIS DRAWING CONTAINS INFORMATION THAT IS PROPRIETARY TO MOLEX INCORPORATED AND SHOULD NOT BE USED WITHOUT WRITTEN PERMISSION			

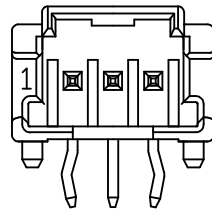
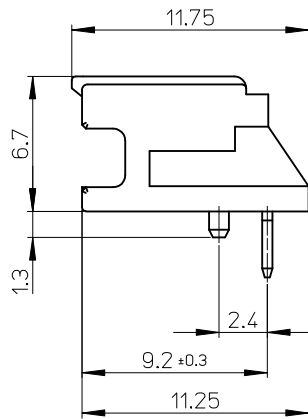
10 9 8 7 6 5 4 3 2 1



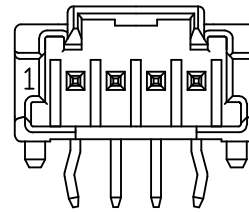
嵌合断面図



2 CIRCUIT



3 CIRCUIT



4 CIRCUIT

MODEL NO.: 55935-****

REVISED EC NO: J2014-0331 DRWN: YAJI MA01 2013/08/22 CHKD: KASAKAWA 2013/08/23 APPR: NUKITA 2013/08/26	GENERAL TOLERANCES (UNLESS SPECIFIED)		DIMENSION STYLE MM ONLY		SCALE ---	DESIGN UNITS METRIC	THIRD ANGLE PROJECTION	
	10 UNDER	±0.20	DRAWN BY T. NIITSU	DATE '02/05/15	TITLE 2.0 W/B SINGLE CONN. PLUG HOUSING ASS'Y R/A -LEAD FREE-			
	10 OVER 30 UNDER	±0.25	CHECKED BY K. ASAKAWA	DATE '03/06/12	molex DOCUMENT NO. SD-55935-005 SHEET NO. 2 OF 2			
	30 OVER	±0.30	APPROVED BY T. YAMAGUCHI	DATE '03/06/12				
REV	DESCRIPTION	ANGULAR ±3 °		MATERIAL NO.		SEE CHART		
D		DRAFT WHERE APPLICABLE MUST REMAIN WITHIN DIMENSIONS		SIZE A3		THIS DRAWING CONTAINS INFORMATION THAT IS PROPRIETARY TO MOLEX INCORPORATED AND SHOULD NOT BE USED WITHOUT WRITTEN PERMISSION		

9 8 7 6 5 4 3 2