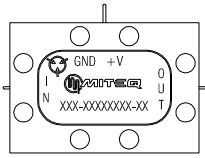
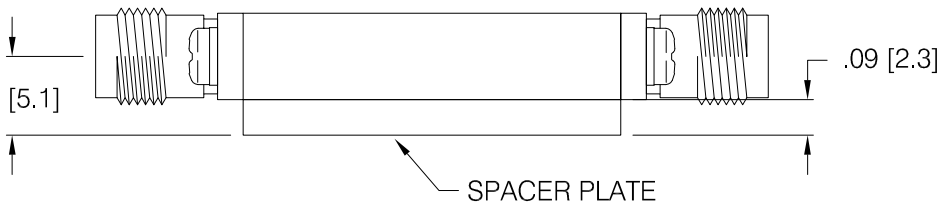
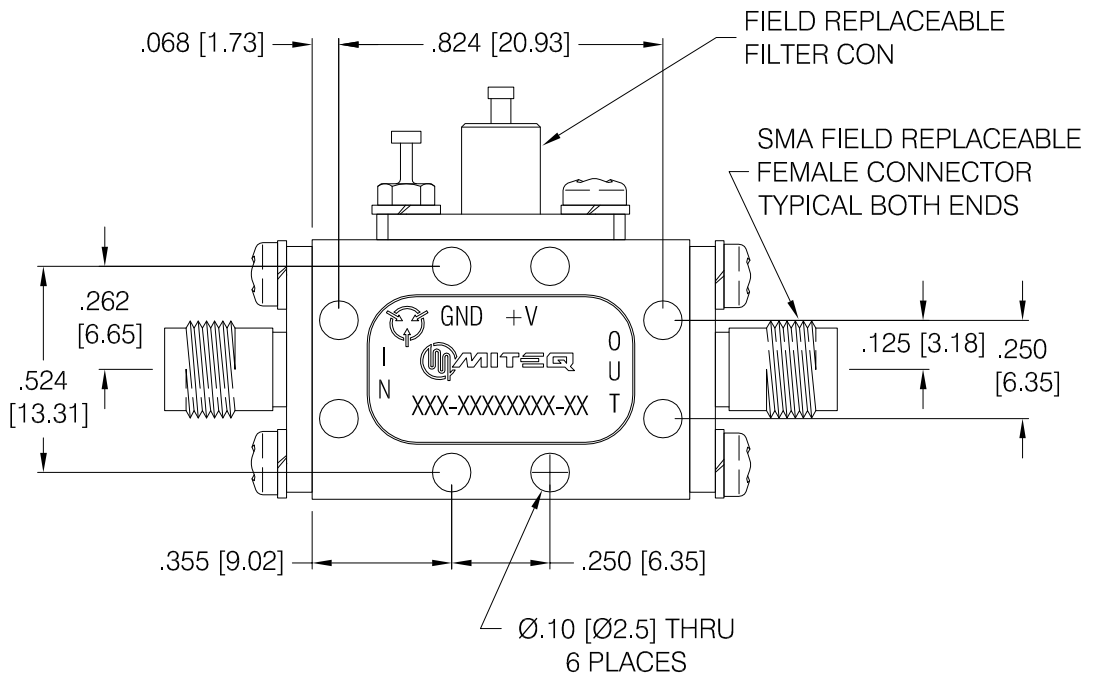
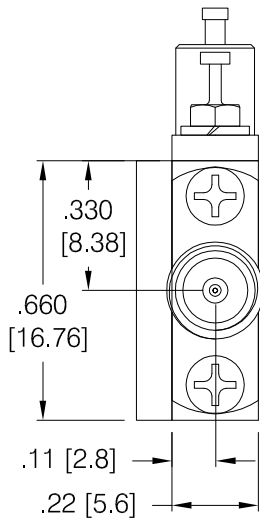
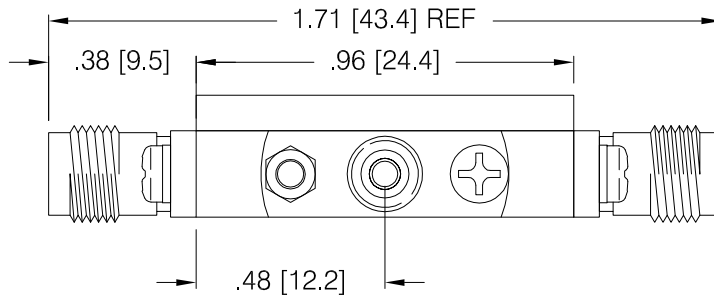


DASH NO.	APPLICATION		REVISIONS			
	NEXT ASSY	USED ON	LTR	DESCRIPTION	DATE	APPROVED
		152358	B	Incorporate ECN 34845	12/26/15	<i>rays</i>
		214451		THIS TECHNICAL DATA IS CONTROLLED UNDER THE EXPORT ADMINISTRATION REGULATIONS (EAR) AND MAY NOT BE EXPORTED TO A FOREIGN PERSON, EITHER IN THE U.S. OR ABROAD, WITHOUT PROPER AUTHORIZATION BY THE U.S. DEPARTMENT OF COMMERCE.		



ACTUAL SIZE WITH CONNECTORS REMOVED



NOTE
1. DIMENSIONS IN BRACKETS ARE METRIC EQUIVALENTS

2. DC PIN IS Ø.015 [0.38] X .08 [2.0], RF PINS ARE Ø.012 [0.30] X .06 [1.4] LONG

L-3 PROPRIETARY

THIS DOCUMENT CONTAINS INFORMATION WHICH IS PROPRIETARY TO L-3 COMMUNICATIONS CORPORATION. THE CONTENTS SHALL NOT BE DISCLOSED, COPIED, DISTRIBUTED OR USED UNLESS AUTHORIZED BY AN OFFICER OF L-3 COMMUNICATIONS

SCALE: 2/1

UNLESS OTHERWISE SPECIFIED DIMENSIONS ARE IN INCHES TOLERANCES ON DECIMAL .X ±0.1 DECIMAL .XX ±0.01 DECIMAL .XXX ±0.005 ANGLES X° ±30'	NAME	DATE	 435 Moreland Rd. Hauppauge, New York 11788 LCA / AWS SERIES AMPLIFIER OUTLINE			
	DWN <i>Jbuonaiuto</i>	02/12/04				
	DFT DES <i>rays</i>	12/26/15				
	PROJ ENGR <i>brw</i>	12/30/15				
PROJECTION	MFG ENGR		SIZE	CODE IDENT. NO.		REV
	Q.C.		A	33592	154709	B
	CUST		SCALE	PROJECT	SHEET	1 OF 1