

PART NAME

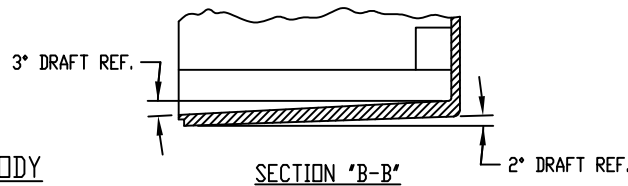
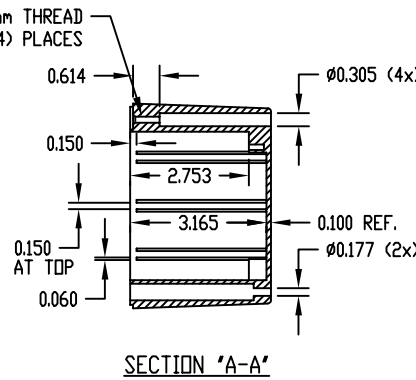
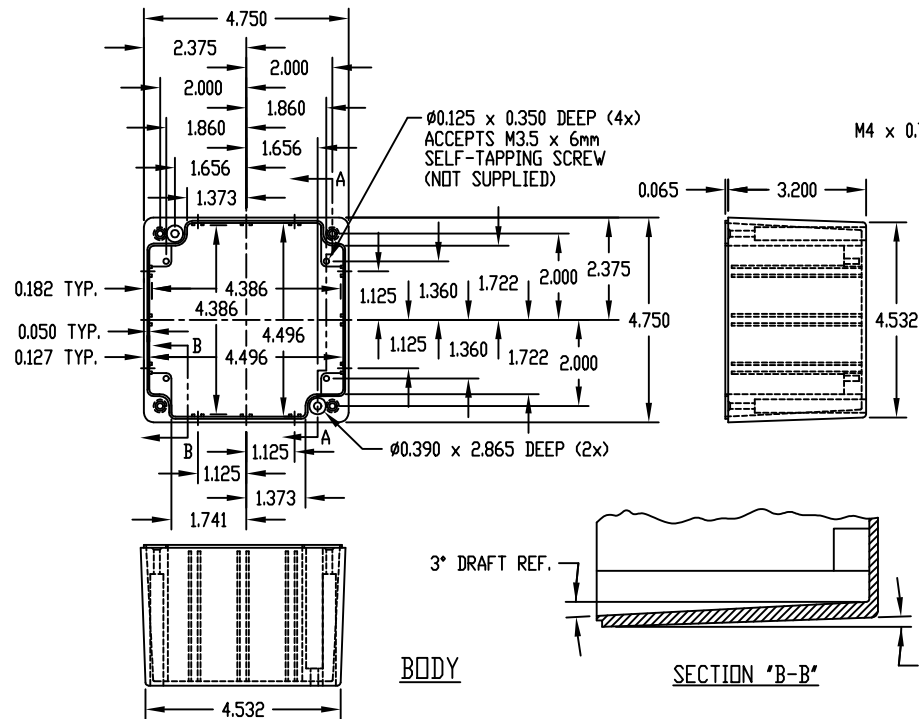
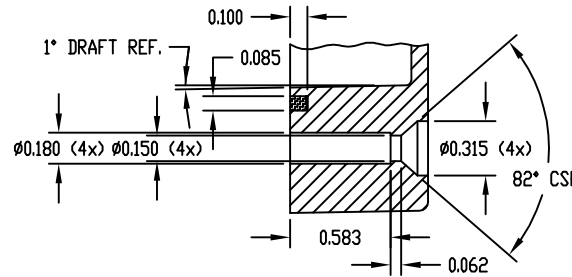
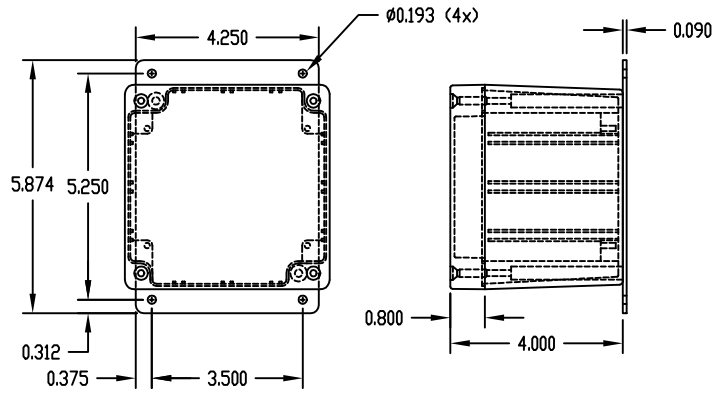
NEMA 4X DIE CAST ALUMINUM ENCLOSURE

PART No.

AN-1309, AN-1309-G, AN-2809 & AN-2809-B

REV. DATE

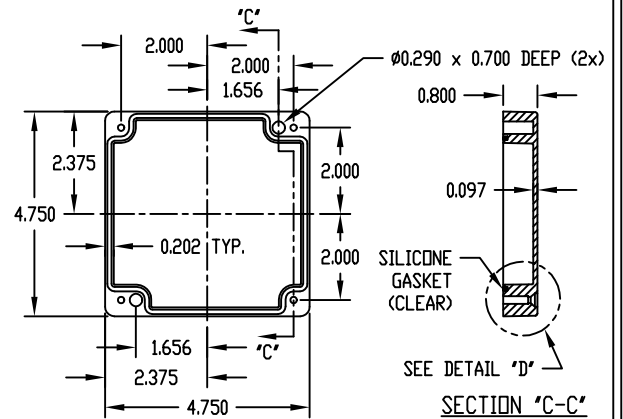
12-17-08



MATERIAL: ALUMINUM ALLOY #ADC-12

FINISH: NATURAL (NO SUFFIX)
GRAY (SUFFIX -G)
SMOOTH BLACK (SUFFIX -B)

NOTES:
1) FOUR (4) M4 x 32mm (1.260") LG. SCREWS SUPPLIED FOR ASSEMBLY OF COVER TO BODY.
2) ALL HOLE DIAMETERS HAVE ±0.005 TOLERANCE
ALL OTHER DIMENSIONS HAVE ±0.015 TOLERANCE



COVER

PART NO. AN-2809 & AN-2809-B ARE SUPPLIED WITH A WELDED ON MOUNTING BRACKET ONLY.