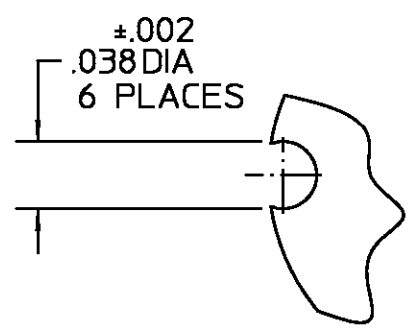


REVISIONS			
REV	DESCRIPTION	DATE	APPROVED
01 ₀	RELEASED	9/11/90	<i>SDD</i>
01 ₁	CHANGE .038 DIA ±.001 TO .038 DIA±.002, ADD DETAIL "B" PER ECN 90-0883	CKM 10-30-90	BME 11/27/90

SOCKET ACCEPTS
 $\frac{.019}{(0.4mm)}$ / $\frac{.021}{(0.5mm)}$ DIA X
 $\frac{.060}{(1.5mm)}$ / $\frac{.125}{(3.2mm)}$ LG PIN

±.002
 .038 DIA
 (1.0mm)
 6 HOLES
 SEE DETAIL B
 FOR ACTERRATE
 CONFIGURATION



DETAIL B

COMPONENT	MATERIAL	FINISH
HOUSING	BRASS PER QQ-B-626 COMP. 360	GOLD PLATE PER MIL-G-45204 OVER COPPER PLATE PER MIL-C-14550
DIELECTRIC	TFE FLUOROCARBON PER ASTM-D-1457	N/A
CENTER CONTACT	BERYLLIUM COPPER PER ASTM-B196, ALLOY 173	GOLD PLATE PER MIL-G-45204 OVER NICKEL PLATE PER QQ-N-290 OVER COPPER PLATE PER MIL-C-14550

UNLESS OTHERWISE SPECIFIED DIMENSIONS ARE IN INCHES TOLERANCE ON FRAC. DEC. ANGLES ± 1/64 ±.005 ± °	DRAWN BY M.Y. DATE 9-7-90	AMP Incorporated 140 Fourth Avenue Waltham, MA 02451-7599
	CHECKED BY BB 9/10/90	
	APPD BY <i>SDD</i> 9/11/90	
These drawings and specifications are the property of Omni Spectra Incorporated and shall not be reproduced or copied or used in whole or in part as the basis for the manufacture or sale of item(s) without written permission.	USE ASS'Y PROCEDURE	TITLE SMB 6 HOLE SURFACE MOUNT JACK RECEPTACLE SOCKET ACCEPTS .019/.021 DIA PIN
	NO. AP. N/A	SIZE B CODE IDENT NO. 26805 5166-5006-09 REV 01 ₁
		SCALE 10:1 SHEET 1 OF 1