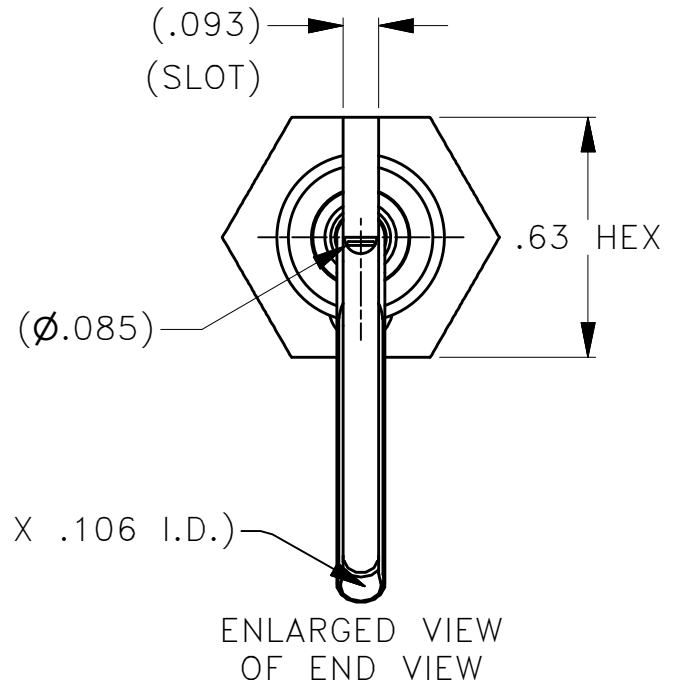
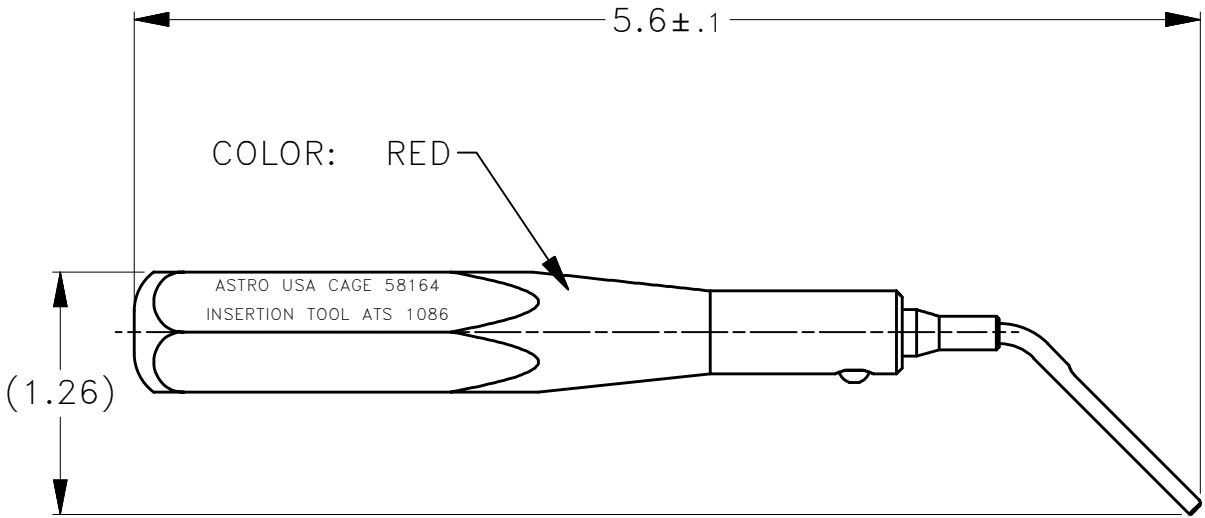


REVISIONS				
REV SYM	ECO NUMBER	DESCRIPTION	BY DATE	APP'D DATE
A		NEW RELEASE	DYO	MK 08-02-10



UNCONTROLLED DOCUMENT
WILL NOT BE UPDATED

NOTES:

1. THIS IS AN ICAD DRAWING DO NOT MANUALLY CHANGE.
2. COLOR CODE: RED
3. FUNCTIONAL EQUIV. TO MS 24256A20.

THESE DRAWINGS, SPECIFICATIONS OR OTHER DATA ARE AND REMAIN, THE PROPERTY OF ASTRO TOOL CORP. AND MUST BE RETURNED UPON REQUEST. THEY CONTAIN INFORMATION OWNED AND/OR DEVELOPED BY ASTRO AT ITS OWN PRIVATE EXPENSE AND MAY NOT BE USED, DUPLICATED OR DISCLOSED TO OTHERS, IN WHOLE OR IN PART FOR DESIGN, MANUFACTURE, OR PROCUREMENT WITHOUT THE WRITTEN PERMISSION OF ASTRO TOOL CORP. EACH AND EVERY TIME.

CREATED FROM AN INVENTOR MODEL.
CHANGES MUST BE REFLECTED IN THE 3D PART

DO NOT SCALE DRAWING

MATERIAL N/A	ITEM	PART NO.	QTY.	DESCRIPTION/REMARKS
	DRN. J. MATTHEWS	DATE 08-02-10		CAGE 58164
HEAT TREAT NQ → A	CHK'D. M.KANETOMI	DATE 08-02-10		ASTRO TOOL CORP. 21615 S.W. TUALATIN VALLEY HWY., BEAVERTON OR 97006
	APP'D.	DATE		TITLE ENVELOPE DRAWING: ATS 1086 INSERTION TOOL
FINISH NQ → A	TOLERANCE: UNLESS OTHERWISE SPECIFIED FRACTIONS ± 1/32 ANGLES ± 1° DECIMAL INCHES: .X ± .030 .XX ± .010 .XXX ± .005 .XXXX ± .0005 REMOVE BURRS AND BREAK SHARP EDGES .005-.015		WHERE USED:	
	SIZE A	SCALE N.T.S.	CAD P/N ATS 1086_env	SHEET OF 1 1
	POSTING	P/N ATS 1086-ENV	REV. A	