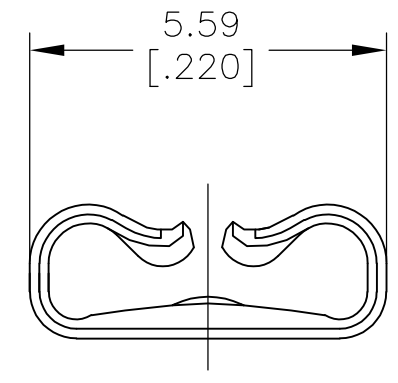
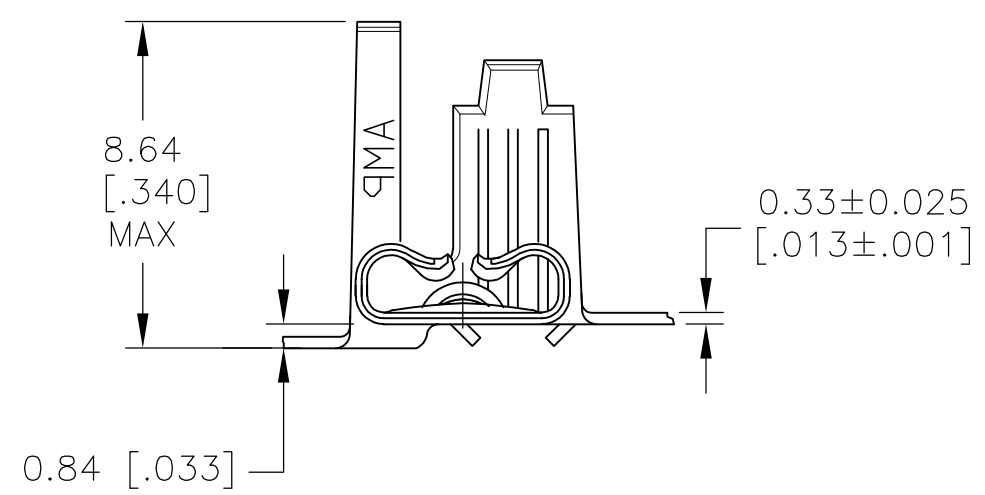
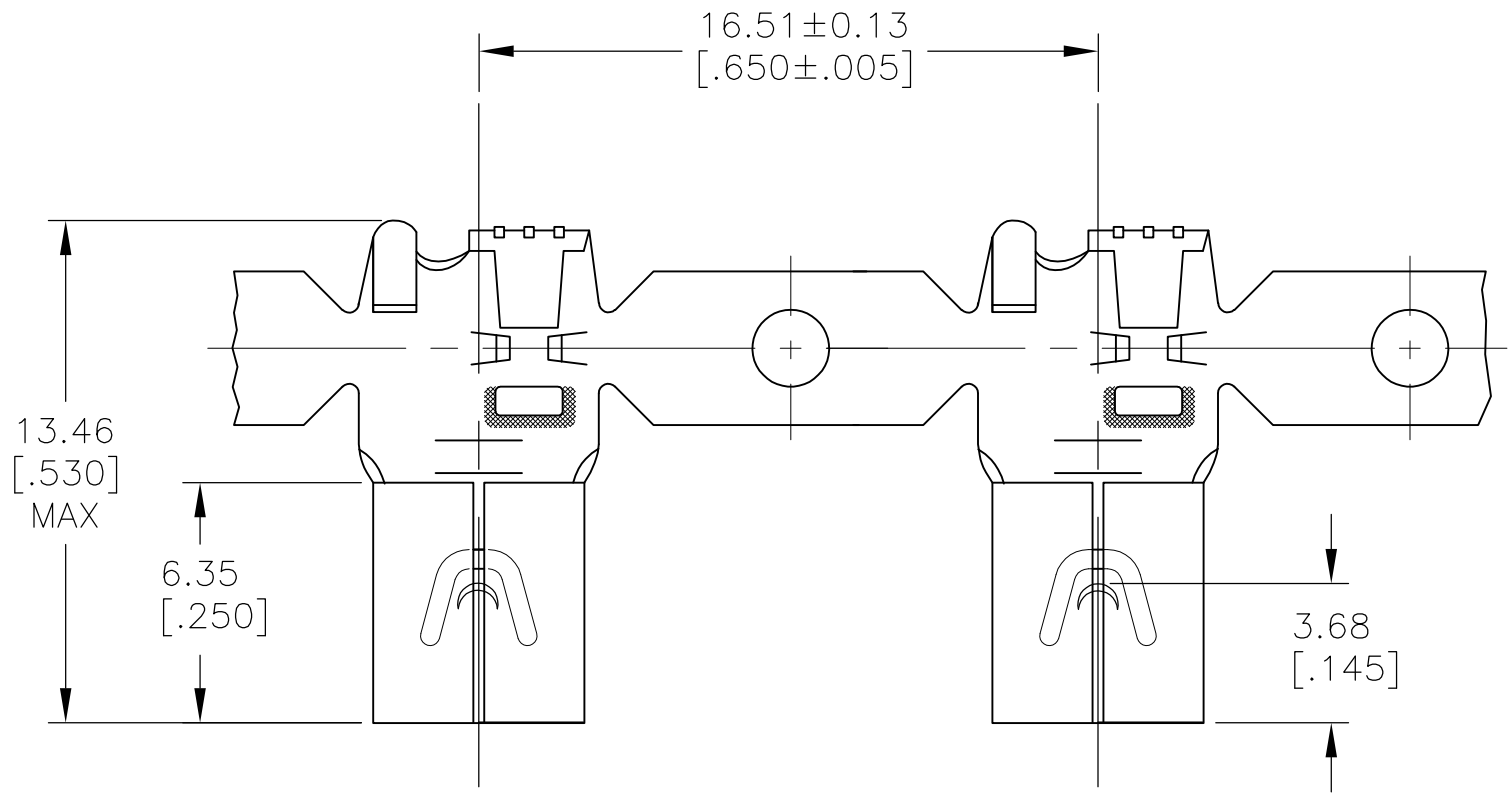


THIS DRAWING IS UNPUBLISHED. RELEASED FOR PUBLICATION
 © COPYRIGHT - By - ALL RIGHTS RESERVED.

REVISIONS				
P	LTR	DESCRIPTION	DATE	APVD
	A2	RELEASED PER ECR-16-018268	30DEC2016	JH TD



- 1 CONTINUOUS STRIP ON REELS
- 2 WIRE SIZE #20-#16 AWG
- 3 INSULATION RANGE 2.79-4.32 [.110-.170] DIA
- 4 MATING TAB THK IS 0.81±0.025 [.032±.001]
- △ 5 PRELIMINARY-NOT FOR PRODUCTION.

POST TIN	BRASS	2238041-2 △5
NICKEL PLATE	T2 STEEL	2238041-1
FINISH	MATERIAL	PART NO.

THIS DRAWING IS A CONTROLLED DOCUMENT.		DWN JR RUTH 29JUL2013	STE TE Connectivity															
DIMENSIONS: MM [INCHES]		CHK P DESANTIS 29JUL13																
TOLERANCES UNLESS OTHERWISE SPECIFIED:		APVD P DESANTIS 29JUL13	NAME RECEPTACLE, FASTON, FLAG, 4.75 [.187] SERIES															
<table border="0"> <tr><td>0 PLC</td><td>± -</td></tr> <tr><td>1 PLC</td><td>± -</td></tr> <tr><td>2 PLC</td><td>± 0.25 [.010]</td></tr> <tr><td>3 PLC</td><td>± -</td></tr> <tr><td>4 PLC</td><td>± -</td></tr> <tr><td>ANGLES</td><td>± -</td></tr> </table>		0 PLC	± -	1 PLC	± -	2 PLC	± 0.25 [.010]	3 PLC	± -	4 PLC	± -	ANGLES	± -	PRODUCT SPEC -	SIZE	CAGE CODE	DRAWING NO	RESTRICTED TO
0 PLC	± -																	
1 PLC	± -																	
2 PLC	± 0.25 [.010]																	
3 PLC	± -																	
4 PLC	± -																	
ANGLES	± -																	
MATERIAL SEE TABLE	FINISH SEE TABLE	APPLICATION SPEC -	WEIGHT 0.000000	A3 00779	C-2238041	-												
CUSTOMER DRAWING			SCALE 5:1	SHEET 1 OF 1	REV A2													