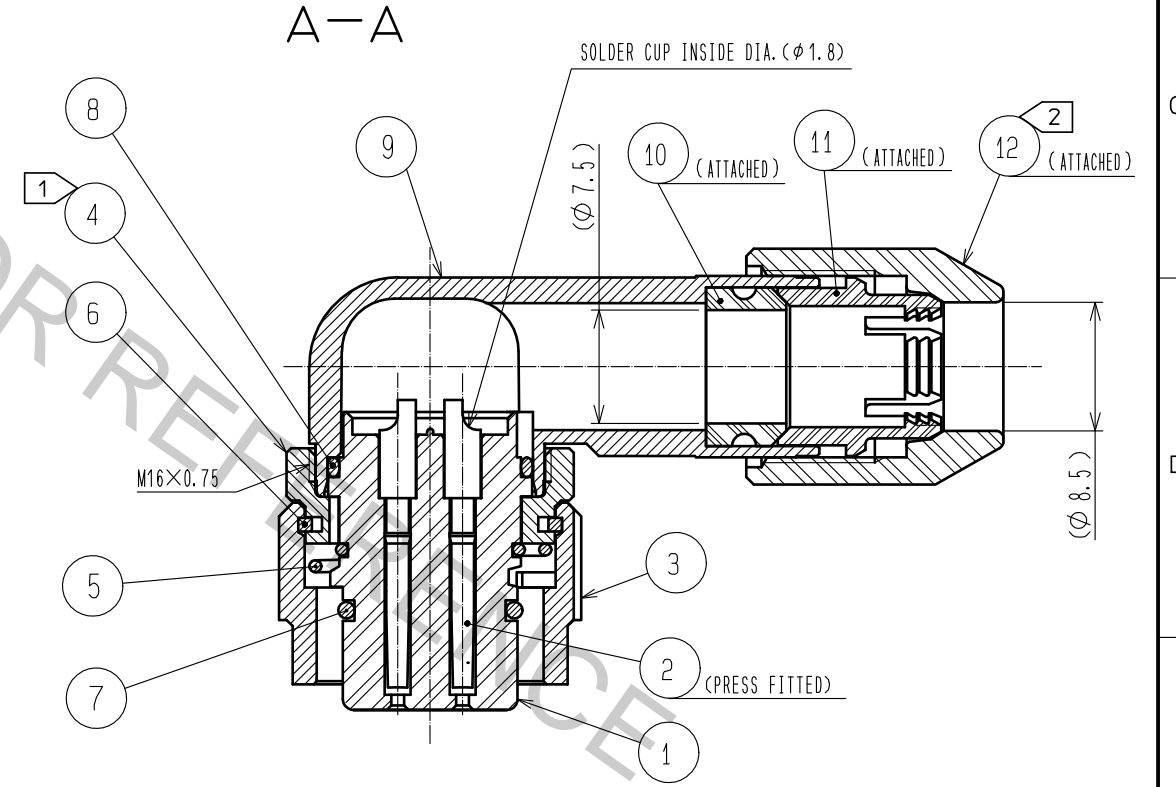
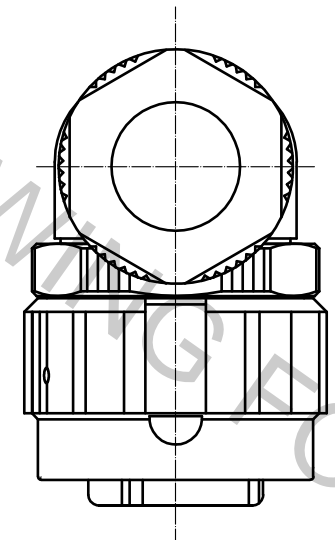
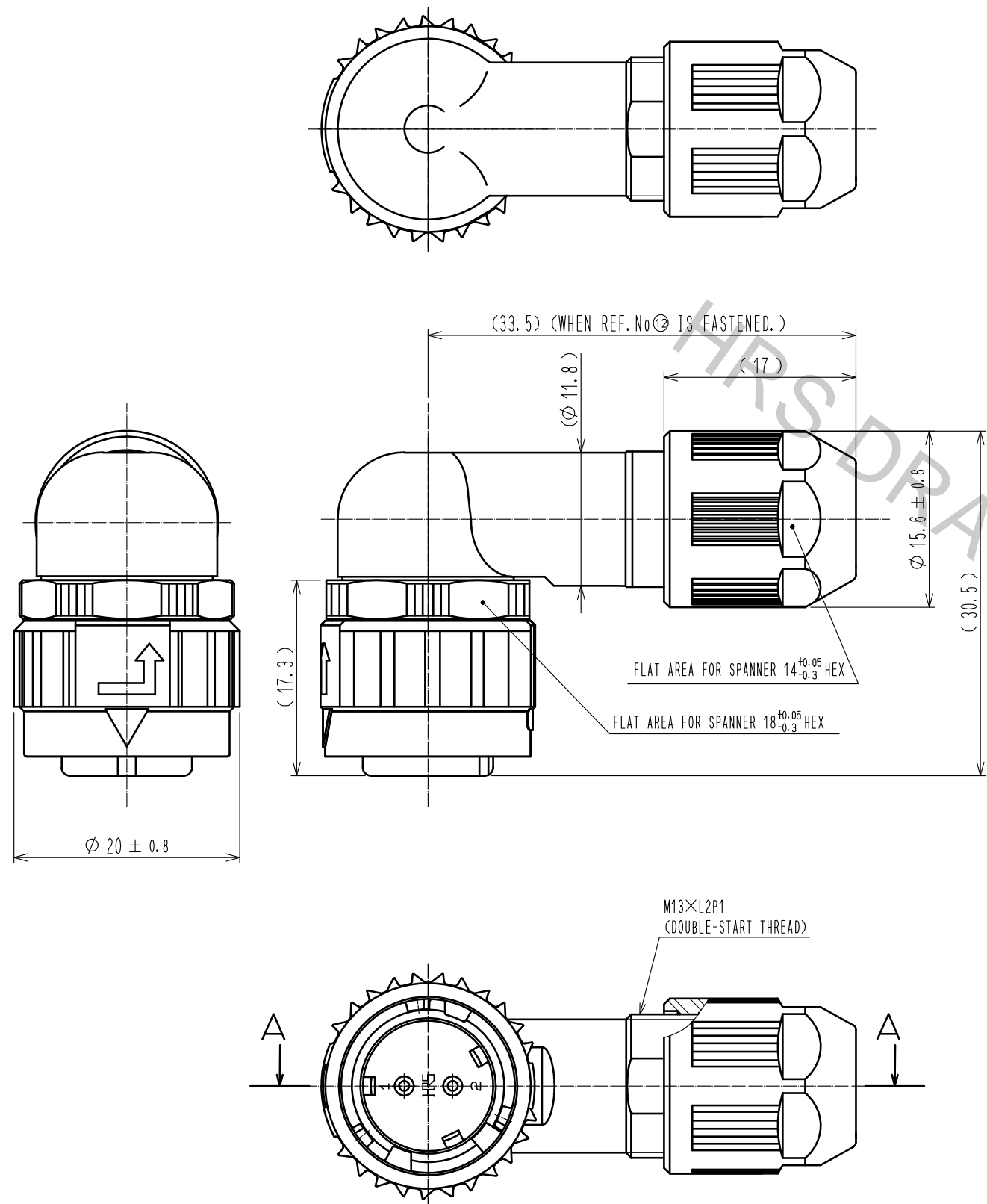


Aug.1.2018 Copyright 2018 HIROSE ELECTRIC CO., LTD. All Rights Reserved.
 In case that the application demands a high level of reliability, such as automotive,
 please contact a company representative for further information.



NOTES ① THE RECOMMENDED TIGHTENING TORQUE OF REF. NO. ④: 0.9 TO 1 N · m.
 THE RECOMMENDED ADHESIVE OF REF. NO. ⑨: LOCTITE 243 MADE BY HENKEL JAPAN LTD.
 ② THE RECOMMENDED TIGHTENING TORQUE OF REF. NO. ⑫: 0.9 TO 1 N · m.
 THE RECOMMENDED ADHESIVE AND PRIMER OF REF. NO. ⑨: LOCTITE 243 AND LOCK PRIMER 7649 MADE BY HENKEL JAPAN LTD.
 ③ ROTATION EXAMPLE ARE SHOWN FOR REF. NO. ①, ④, ⑨, AND ⑫.
 ④ THE CABLE PULL FORCE, TWISTING STRENGTH, WATERPROOF TIGHTNESS AND OTHER CHARACTERISTICS MAY DIFER,
 DEPENDING ON CABLE SPECIFICATIONS AND STRUCTURE. PLEASE EVALUATE UNDER THE ACTUAL CONDITIONS PRIOR THE USE.

NO.	MATERIAL	FINISH . REMARKS	NO.	MATERIAL	FINISH . REMARKS
6	PHOSPHOR BRONZE	NICKEL PLATING	12	POLYPHENYLENE SULFIDE	(BLACK) UL94V-0
5	STAINLESS STEEL		11	POLYAMIDE	(WHITE) UL94V-0
4	ZINC ALLOY	NICKEL PLATING	10	HYDROGENATION ACRYLONITRILE BUTADIENE RUBBER	(GRAY)
3	ZINC ALLOY	NICKEL PLATING	9	ALUMINUM ALLOY	NICKEL PLATING
2	PHOSPHOR BRONZE	SURFACE: GOLD 0.2μm min. UNDER PLATING: NICKEL 2μm min.	8	ACRYLONITRILE BUTADIENE RUBBER	(BLACK)
1	POLYPHENYLENE SULFIDE	(BLACK) UL94V-0	7	ACRYLONITRILE BUTADIENE RUBBER	(BLACK)

UNITS	SCALE	COUNT	DESCRIPTION OF REVISIONS	DESIGNED	CHECKED	DATE
mm	2 : 1	△				
APPROVED : HY. KOBAYASHI			18.02.26	DRAWING NO. EDC-117927-31-00		
CHECKED : HY. KOBAYASHI			18.02.26	PART NO. HR08D-12WLPB-2S(31)		
DESIGNED : DS. MATSUNE			18.02.24	CODE NO. CL108-0283-6-31		
DRAWN : AI. NISHIYAMA			18.02.22	△ 1/1		