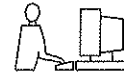




ELECTRICAL CIRCUIT:

TOLERANCE UNLESS OTHERWISE SPECIFIED IN MM  
 0 ± 0.50 ANGLE 3°  
 0.0 ± 0.38  
 0.00 ± 0.25  
 0.000 ± 0.10

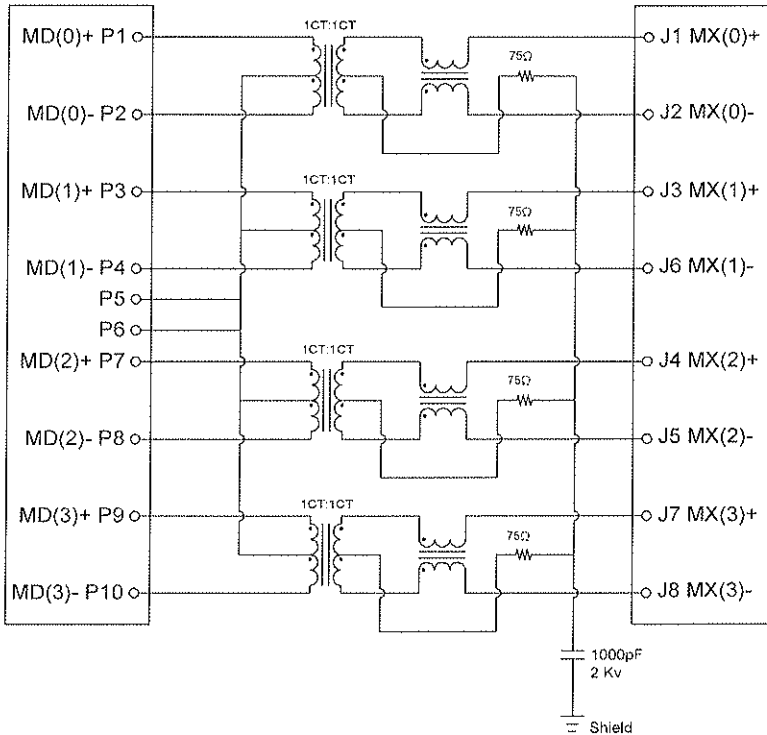
THIS IS A C.A.D. GENERATED DRAWING  
 DO NOT MAKE MANUAL REVISIONS TO MASTER.



ISSUE NUMBER  
 ORIGINAL ①

CONNECTOR SOLDER SIDE

RJ45 CONTACT SIDE



TEST NOTES:(25°±5°C)

1. TR:(100KHz,0.1V); 100%  
 PINS:(P1,P2):(J1,J2)=1:1±3%:(P3,P4):(J3,J6)=1:1±3%  
 PINS:(P7,P8):(J4,J5)=1:1±3%:(P9,P10):(J7,J8)=1:1±3%
2. LX:(100KHz,100mV,8mA, DC Bias) 100%  
 PINS:(P1,P2),(P3,P4),(P7,P8),(P9,P10)=350uH MINIMUM
3. DCR: 100%  
 PINS:(J1,J2),(J3,J6),(J4,J5),(J7,J8)=1.2Ω MAXIMUM
4. HIPOT: 100%  
 PINS(P1,P2)TO(J1,J2),(P3,P4)TO(J3,J6)=1500VAC FOR 2 SECONDS  
 PINS(P7,P8)TO(J4,J5),(P9,P10)TO(J7,J8)=1500VAC FOR 2 SECONDS
5. INSERTION LOSS:  
 -1.0dB MAXIMUM AT 1MHz TO 100MHz;
6. RETURN LOSS:  
 -20dB MINIMUM AT 1MHz TO 30MHz;  
 -15dB MINIMUM AT 30MHz TO 60MHz  
 -10dB MINIMUM AT 60MHz TO 80MHz
7. CROSS TALK:  
 -30dB MINIMUM AT 1MHz TO 100MHz
8. COMMON TO COMMON MODE REJECTION:  
 -30dB MINIMUM AT 1MHz TO 100MHz

4 PORT, RJ45 MAGNETIC JACK W/O LED, 10P, 8C  
 SHIELDED/100/1000 Mbps FILTER

ACAD REFERENCE NO.: A60-142-300P111

DRAWN:R.STA.MONICA DATE: JAN.25/2011

CHECKED: DATE:

PART NUMBER

SEE NOTE

SHEET 2 OF 2

DRAWING NUMBER

A60-142-300P111

ISSUE

1



THIS SERIES FULLY CONFORMS TO THE EUROPEAN UNION DIRECTIVES 2002/95/EC AND 2002/96/EC FOR RoHS COMPLIANCY.



EDAC INC  
 TORONTO, ONTARIO  
 CANADA

YOUR CONNECTION TO QUALITY & SERVICE

THESE DRAWINGS AND SPECIFICATIONS ARE THE PROPERTY OF EDAC INC. AND SHALL NOT BE REPRODUCED, OR COPIED OR USED AS THE BASIS FOR THE MANUFACTURE OR SALE OF APPARATUS WITHOUT WRITTEN PERMISSION.