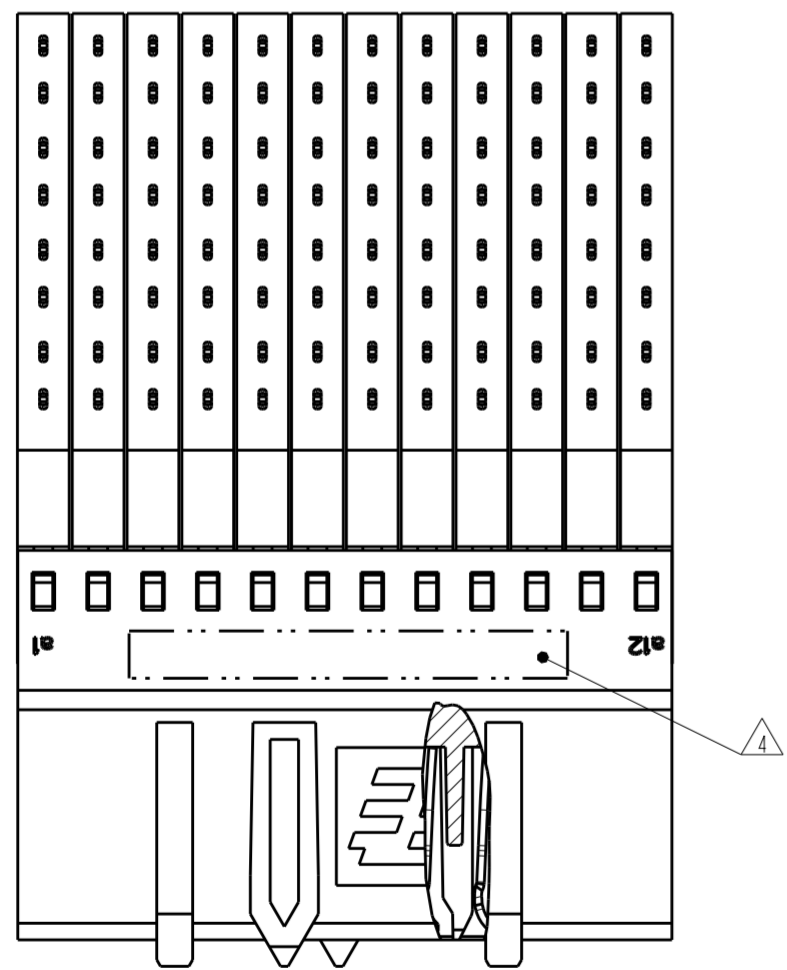
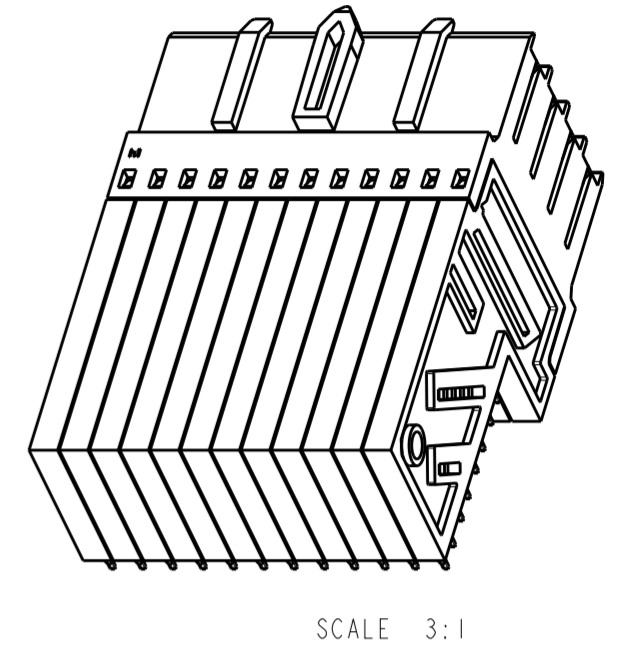
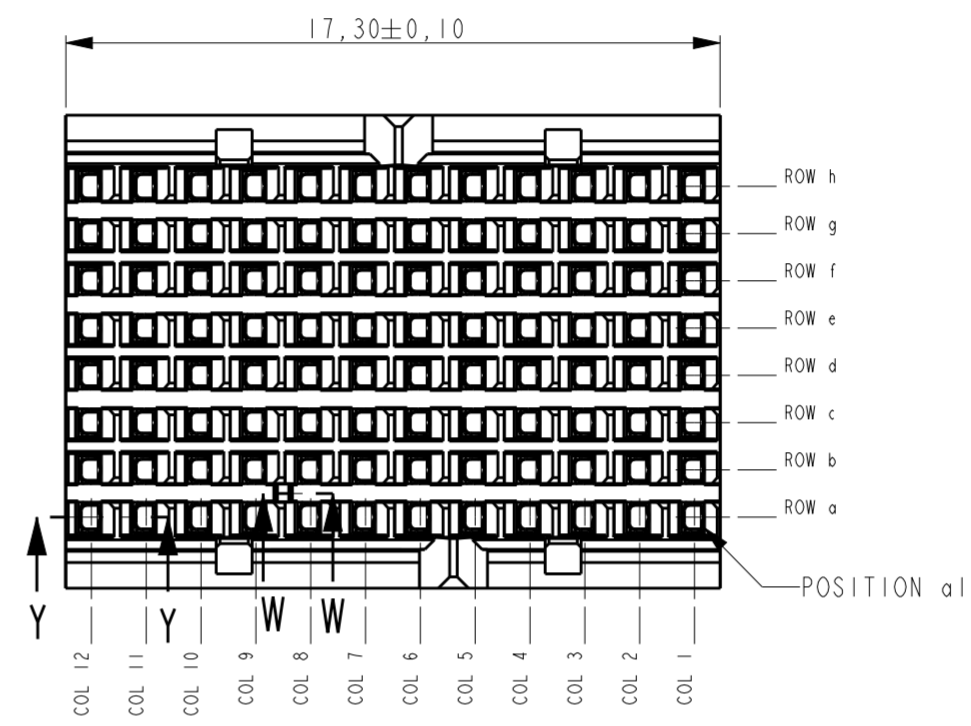
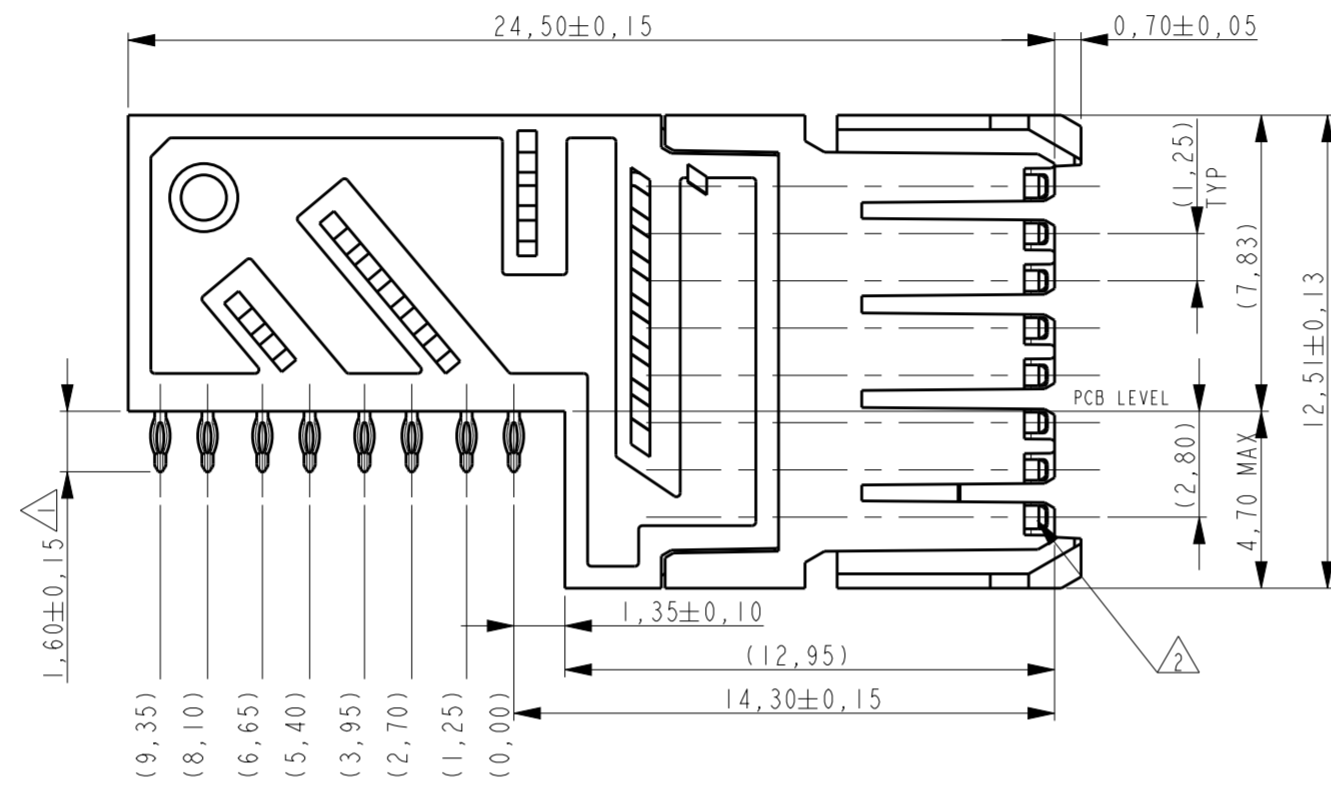
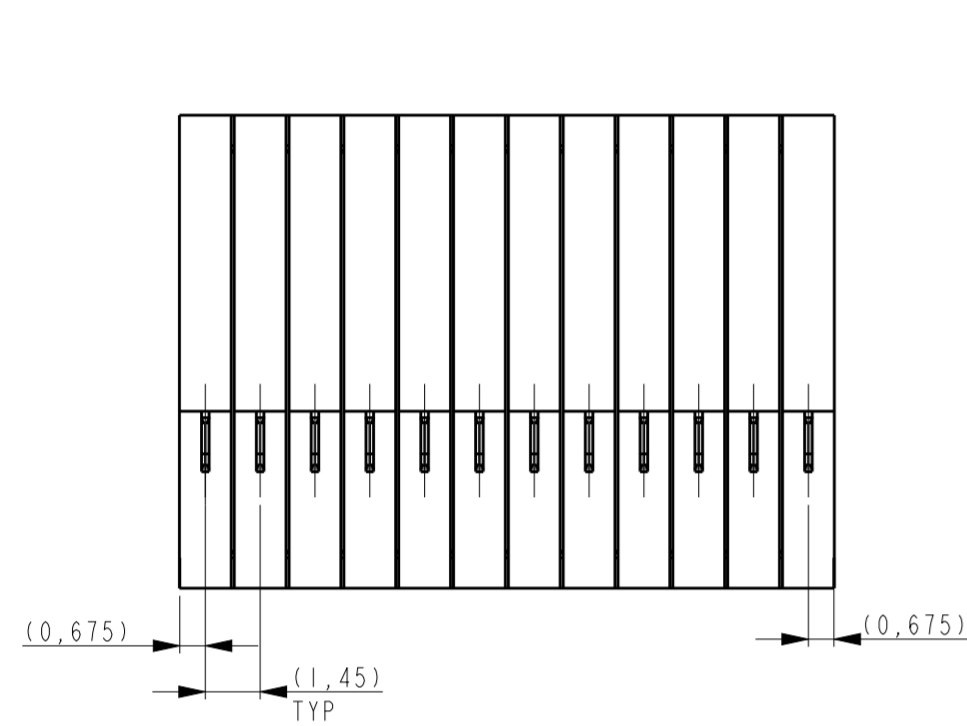
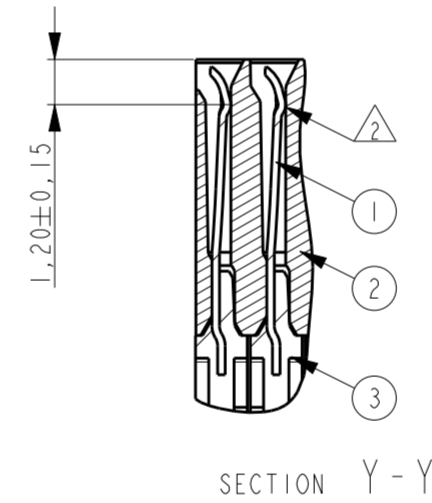


THIS DRAWING IS UNPUBLISHED. RELEASED FOR PUBLICATION  
 © COPYRIGHT - BY TYCO ELECTRONICS CORPORATION. ALL RIGHTS RESERVED.

| LOC |     | DIST                               |           | REVISIONS |      |  |  |
|-----|-----|------------------------------------|-----------|-----------|------|--|--|
| P   | LTR | DESCRIPTION                        | DATE      | DWN       | APVD |  |  |
|     | A   | DRAWING RELEASED PER ECR-11-017294 | 22AUG2011 | JvdH      | TdB  |  |  |
|     | AI  | CHANGED PER ECR-12-010777          | 13JUN2012 | BM        | TdB  |  |  |
|     | B   | ADDED TOLERANCES PER ECR-13-006546 | 17APR2013 | JvdH      | GJV  |  |  |
|     | C   | REVISED PER ECR-13-017996          | 16DEC2013 | FL        | FY   |  |  |



SECTION W-W  
(KEY POSITION)



SECTION Y-Y

NOTES:

- 1 PLATING: 0,5µm MIN. TIN OVER NICKEL.
- 2 PLATING:

| PARTNUMBER | PERFORMANCE LEVEL   |
|------------|---|
| 1982738-1  | PERFORMANCE LEVEL 1: CONNECTOR TESTED AND QUALIFIED AGAINST TELCORDIA GR-1217-CORE QUALITY LEVEL III: UNCONTROLLED ENVIRONMENT APPLICATIONS. SEE PRODUCT SPEC 108-19353 |
| 1982738-2  | PERFORMANCE LEVEL 2: CONFORMS TO ALL TESTING ACCORDING PRODUCT SPEC 108-19320, -250 MATING CYCLES, 4 DAYS MIXED GAS TEST PER IEC 60068-2-60 METHOD 1                    |

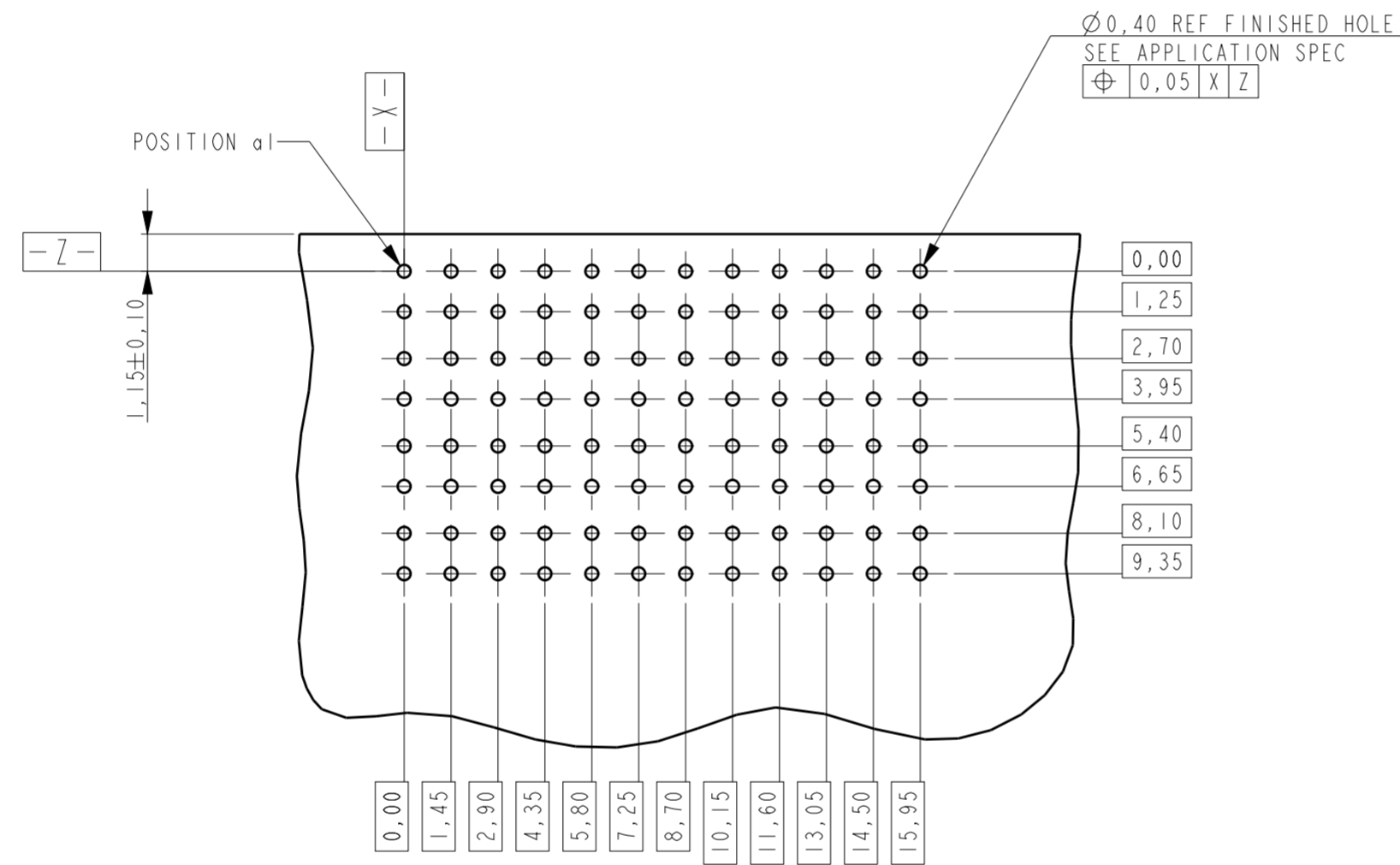
- 3 CONSULT APPLICATION SPEC OR CONTACT TE CONNECTIVITY FOR PERMISSIBLE CONTACT ASSIGNMENTS.
- 4 CONNECTOR MARKED WITH PARTNUMBER AND DATE CODE.

| 3        | OVERMOLD    | PBT 20% GF GREY    |
|----------|-------------|--------------------|
| 2        | HOUSING     | LCP 30% GF NATURAL |
| 1        | CONTACT     | COPPER ALLOY       |
| ITEM NO. | DESCRIPTION | MATERIAL           |

|   |  |   |                 |                 |                       |                 |
|---|--|---|-----------------|-----------------|-----------------------|-----------------|
| THIS DRAWING IS A CONTROLLED DOCUMENT.                                      |  | DWN RA 31-Jan-2008  | TE Connectivity |                 |                       |                 |
| DIMENSIONS: mm  |  | CHK RA 31-Jan-2008  |                 |                 |                       |                 |
| TOLERANCES UNLESS OTHERWISE SPECIFIED:                                      |  | APVD J BROEKSTEEG 31-Jan-2008   |                 |                 |                       |                 |
| 0 PLC ±<br>1 PLC ±<br>2 PLC ±<br>3 PLC ±<br>4 PLC ±<br>ANGLES ±<br>FINISH ± |  | PRODUCT SPEC SEE NOTE 2<br>APPLICATION SPEC 114-19106<br>WEIGHT -<br>Customer Drawing |                 |                 |                       |                 |
| NAME FEMALE CONNECTOR Z-PACK Slim UHD Common Speed                          |  |   | SIZE A2         | CAGE CODE 00779 | DRAWING NO. C-1982738 | RESTRICTED TO - |
| SCALE 5:1   |  |   | SHEET 1         | OF 2            | REV C                 |                 |

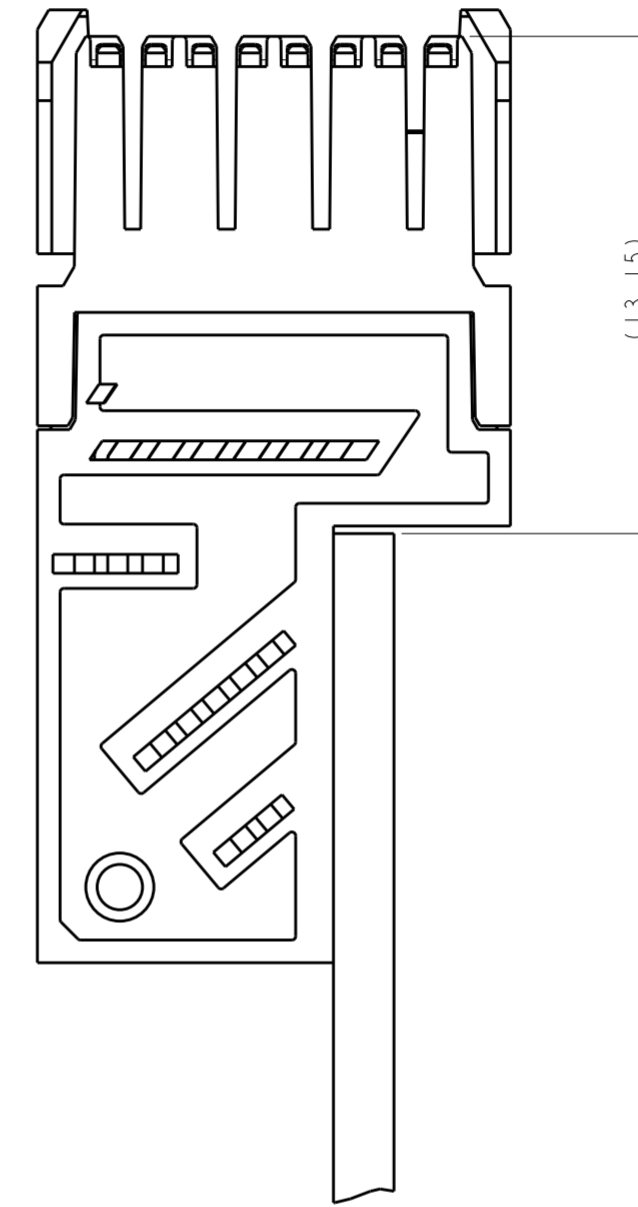
THIS DRAWING IS UNPUBLISHED. RELEASED FOR PUBLICATION  
 © COPYRIGHT - BY TYCO ELECTRONICS CORPORATION. ALL RIGHTS RESERVED.

| LOC | DIST | REVISIONS |     |             |      |     |      |
|-----|------|-----------|-----|-------------|------|-----|------|
| H   | -    | P         | LTR | DESCRIPTION | DATE | DWN | APVD |
|     |      | -         |     | SEE SHEET 1 | -    | -   | -    |
|     |      |           |     |             |      |     |      |
|     |      |           |     |             |      |     |      |



BOARD THICKNESS 1,2 MIN

RECOMMENDED PCB LAYOUT  
(COMPONENT SIDE SHOWN)



|  |  |                               |  |                      |
|--|--|-------------------------------|--|----------------------|
| THIS DRAWING IS A CONTROLLED DOCUMENT. |  | DWN RA 31-Jan-2008            | <b>STE</b> TE Connectivity                         |                      |
|  |  | CHK RA 31-Jan-2008            |  |                      |
| DIMENSIONS: mm                         |  | APVD J BROEKSTEEG 31-Jan-2008 | NAME FEMALE CONNECTOR Z-PACK Slim UHD Common Speed |                      |
| TOLERANCES UNLESS OTHERWISE SPECIFIED: |  | PRODUCT SPEC SEE SHEET 1      | SIZE A2  |                      |
| 0 PLC ±                                |  | APPLICATION SPEC SEE SHEET 1  | CAGE CODE 00779                                    | DRAWING NO C-1982738 |
| 1 PLC ±                                |  |                               | RESTRICTED TO -                                    |                      |
| 2 PLC ±                                |  |                               | SCALE 5:1  |                      |
| 3 PLC ±                                |  |                               | SHEET 2 OF 2                                       |                      |
| 4 PLC ±                                |  |                               | REV C  |                      |
| ANGLES ±                               |  |                               |  |                      |
| FINISH                                 |  | WEIGHT -                      |  |                      |
| MATERIAL -                             |  | Customer Drawing              |  |                      |