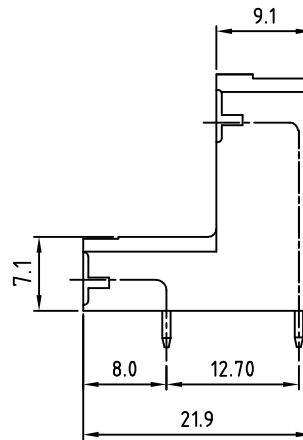
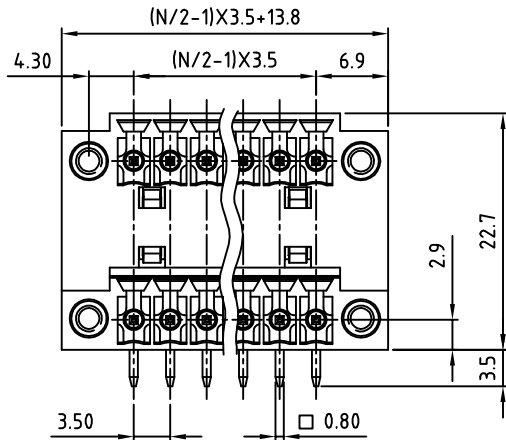
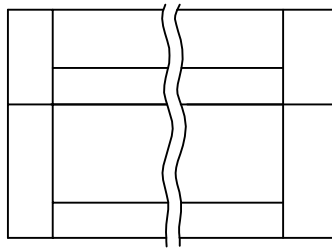
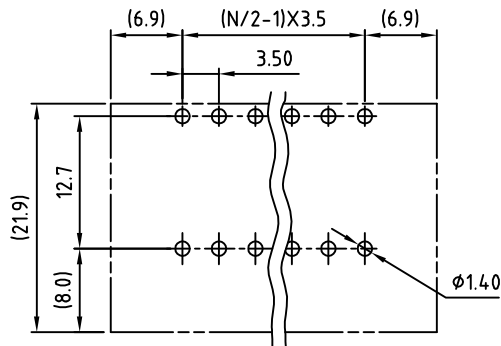


SIGN	DATE	DESCRIPTION	APPROVER



P.C.B LAYOUT



Material

- Contact: Brass With Tin Plated
- With flange nut: Brass M2.5
- Insulator (housing): Thermoplastic (UL94V-0)

Electrical

- Voltage rating: 300VAC
- Current rating: 10A
- Withstanding Voltage: 1.6KV
- Operating temperature: -30° C to +105° C
- Soldering temperature: 250° C ±10° C/5 Sec
- Safety Approval:

RoHS Compliant

PART NUMBER:

**OSTVOXX1251**

No. of Poles	COLOR
04: 2x02 Poles	0: Black
06: 2x03 Poles	5: Green (Standard)
: :	6: Blue
48 2x24 Poles	8: Grey



THESE DRAWINGS AND SPECIFICATIONS ARE THE PROPERTY OF ON-SHORE TECHNOLOGY, INC. AND SHALL NOT BE REPRODUCED, COPIED OR USED IN ANY MANNER WITHOUT THE PRIOR WRITTEN CONSENT OF ON-SHORE TECHNOLOGY, INC.

TITLE	OSTV0-3.50mm Series with flange right-angle 2x2p-2x24p						
PART NO.	OSTVOXX1251	DWG NO.		OSTVOXX1251.DWG			
APPROVED	CHECKED	DESIGNED	DRAWN	CUST NO.	Tolerance		
Shi Jun 2006.10.23	Marvin 2006.10.23	Marvin 2006.10.23	Marvin 2006.10.23		UNIT: mm	X.	±0.50
					SCALE: NONE	X.X	±0.30
				SHEET: 01/01	REV.: B	X.XX	±0.10
						X°	±1°