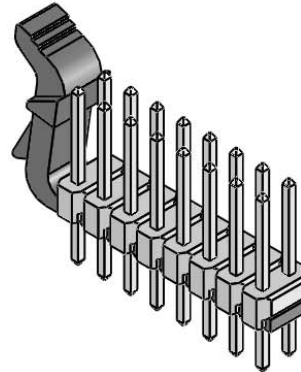
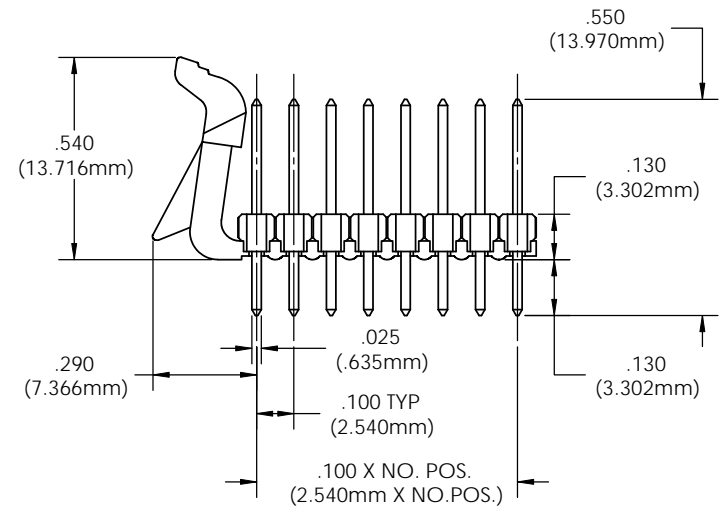
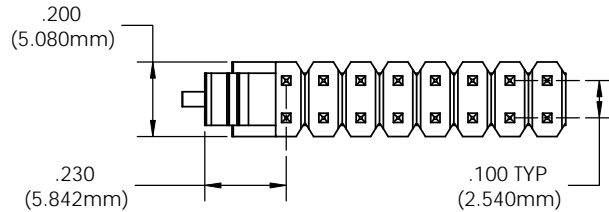


NOTES:

1. MATERIAL: BODY - THERMOPLASTIC (BLACK), UL 94-V0 RATING
LEVER - THERMOPLASTIC NYLON 6-6 FOR FLEXIBILITY, UL 94-V2 RATING
PINS - PHOSPHER BRONZE .025" SQUARE TIN PLATE
2. SPACING: DUAL ROW, 4 TO 16 CIRCUITS ON .100 x .100 CENTERS
3. HEADER: MATES WITH VCC, 450 4XX SERIES, FEMALE LOCKING CONNECTOR



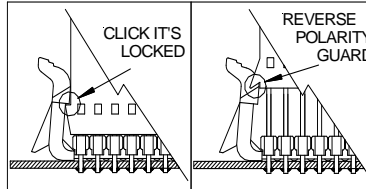
| REVISIONS | | | | |
|-----------|-----|----------------------------|---------|----------|
| ECN # | REV | DESCRIPTION | DATE | INITIALS |
| | 001 | REVISED PER ECR 111009AZ01 | 9/13/10 | KH |



ORDERING CODE: **CNX VXX DRT**

| PIN CONFIGURATION | |
|-------------------|---------------|
| V = | VERTICAL |
| XX = | # OF CIRCUITS |
| 04 | 2x2 |
| 06 | 2x3 |
| 08 | 2X4 |
| 10 | 2X5 |
| 12 | 2X6 |
| 14 | 2X7 |
| 16 | 2X8 |

| STYLE | |
|-------|-----------|
| DR | DUAL ROW |
| T | TIN PLATE |



| | | | | |
|---|--|-----------|--|---|
| <small>UNLESS OTHERWISE SPECIFIED DIMENSIONS ARE IN INCHES</small> <small>ANGLES DECIMALS 1°</small> <small>FINISH X .000 XX ±.010 XXX ±.005</small> <small>BREAK ALL CORNERS AND SHARP EDGES (R1/16")</small> | MATERIAL | SEE NOTES | VISUAL COMMUNICATIONS COMPANY, INC. 190 Bosstick Boulevard, Suite 101 San Marcos, CA 92069 USA Phone (760) 560-1300 Fax (760) 560-1301 Email: vccsales@vccllite.com | |
| | <small>THIRD ANGLE PROJECTION</small> <small>THE INFORMATION CONTAINED IN THIS DRAWING IS THE SOLE PROPERTY OF VISUAL COMMUNICATIONS COMPANY, INC. AND IS LOANED TO YOU AS A SINGLE REFERENCE TO THE DRAWING ONLY. VISUAL COMMUNICATIONS COMPANY, INC. IS NOT RESPONSIBLE FOR ANY REPRODUCTION OF THIS DRAWING IN ANY MANNER.</small> | FINISH | N/A | TITLE: CONXRITE DUAL ROW POSITIVE LOCKING HEADER |
| APPROVAL DRAWN K.Howard CHECKED DPZ | DATE | 9/13/10 | SIZE DWG. NO. B CNX VXX DRT | REV 001 |
| DO NOT SCALE DRAWING | | | SCALE: 3:1 | SHEET 1 OF 1 |