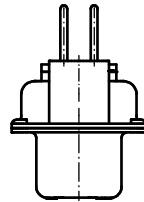
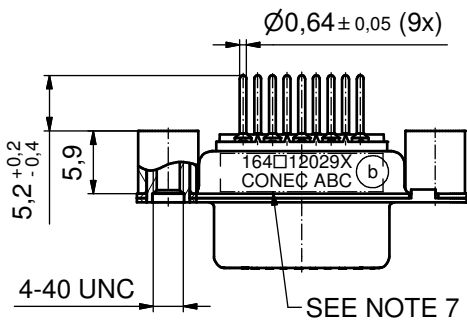
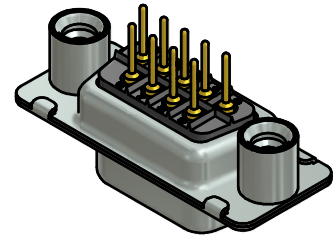
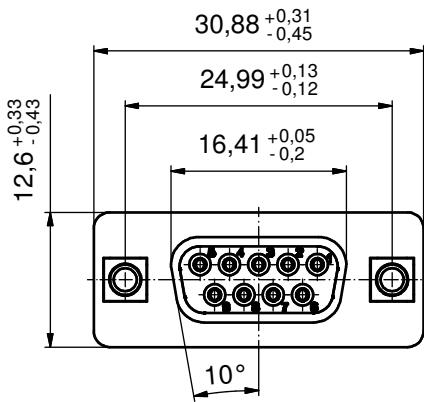
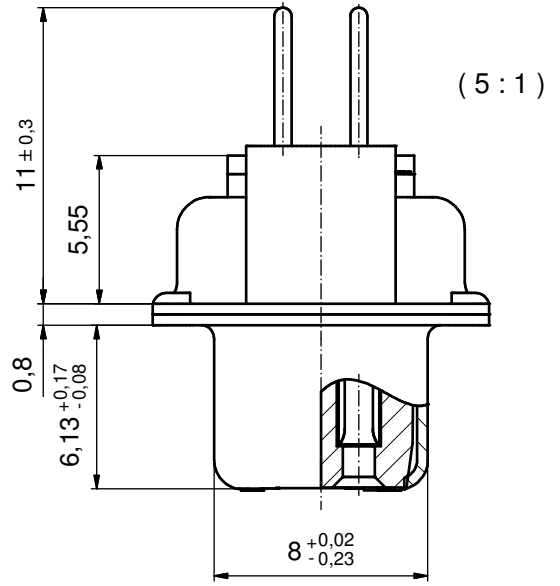
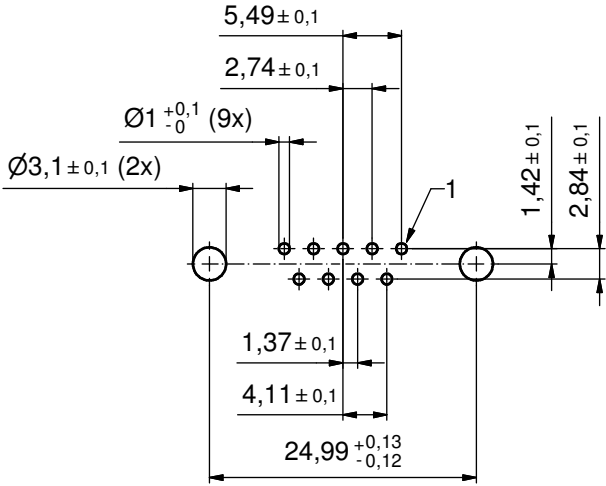


P.C.B. HOLE DRILLINGS  
( P.C.B. TOP SIDE )



NOTES:

- 1. METALSHELLS: STEEL; min. 315µm TIN over 40-80µm NICKEL
- 2. INSULATORS: PBT GF UL 94 V-0; BLACK
- 3. SIGNAL CONTACTS: COPPER ALLOY; PLATING (SEE PART NO.):
  - PLEASE ADD A for GOLD FLASH over NICKEL (PREFERRED TYPE)
  - PLEASE ADD B for 20µm HARD GOLD over min. 50µm NICKEL
  - PLEASE ADD C for 30µm HARD GOLD over min. 50µm NICKEL
- 4. THREADED REAR SPACERS: COPPER ALLOY; min. 200µm TIN over 80µm NICKEL
- 5. SLEEVES: COPPER ALLOY; min. 200µm TIN over 80µm NICKEL
- 6. MAXIMUM TORQUE VALUE FOR THREAD: 6 in.LB
- 7. CONNECTOR IS PART MARKED: 164□12029X CONEC ABC (see note 3)

RoHS compliant

THIS DRAWING MAY NOT BE COPIED OR REPRODUCED IN ANY WAY, AND MAY NOT BE PASSED ON TO A THIRD PARTY WITHOUT WRITTEN PERMISSION. OWNERSHIP AND COPYRIGHT OF CONEC GmbH

DO NOT ALTER CAD DRAWING BY HAND

tolerance				scale: 2:1 (5:1)			
dim. in mm		date		material: SEE NOTES			
name		name		title:			
drawn 21.01.15 Henneboel		appd. 21.01.15 Lehmenkühler		<b>D-SUB FEMALE</b> 9pos. SOLDER PIN STRAIGHT with threaded rear spacer			
norm		d-old 16K2A904				dwg no:	
3 x b A5499 21.01.2015 K.H.		a Original				16K1A904	
rev. description date name				part no: (b) 164□12029X (see note 3)			

DIN-A3	
sh: 1	