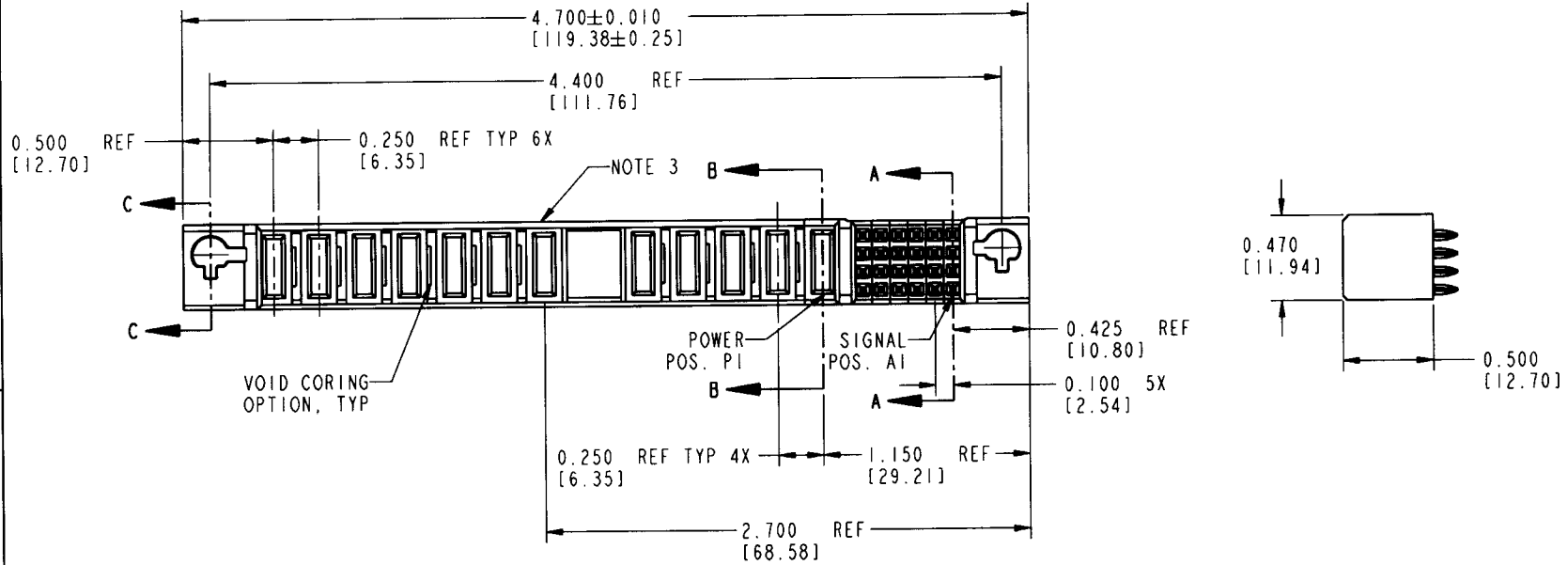


Tous droits strictement réservés. Reproduction ou communication à des tiers interdite sous quelque forme que ce soit sans autorisation écrite du propriétaire. Propriété de c FCI. Droits de reproduction FCI.

All rights strictly reserved. Reproduction or issue to third parties in any form whatever is not permitted without written authority from the proprietor. Property of FCI. Copyright FCI.



PRODUCT NUMBER
SEE SHEET 4



mat'l code		NOTE 1		tolerances unless otherwise specified		CUSTOMER		FCI ELECTRONICS	
ltr	ecn no.	dr	date	linear	.XX±.01/0.X±0.3	COPY		www.fciconnect.com	
A	V02392	JRW	10/09/00		.XXX±.005/0.XX±0.13	projection		title 24S + 5P + 1M + 7P	
B	V10136	JWS	1/12/01		.XXX±.0020/.XXX±.051	INCH/MM		VERTICAL PRESSFIT RECEPTACLE	
				angles	0°±2°	scale 1:1		product family PwrBlade code 213	
				dr	J. SHAFFER 1/12/01			size dwg no 51617 sheet 1 of 4	
				enr	J. DODDS 1/12/01				
				chr	J. DODDS 1/12/01				
				appd	J. DODDS 1/12/01				
sheet index	revision	B	B	B	B				
	sheet	1	2	3	4				

Pro/E

cage code 22526

PDM: Rev:B

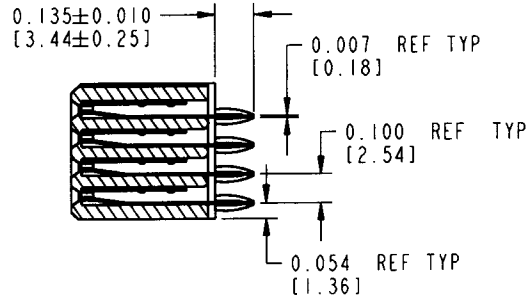
STATUS: Released

Printed: Dec 20, 2010

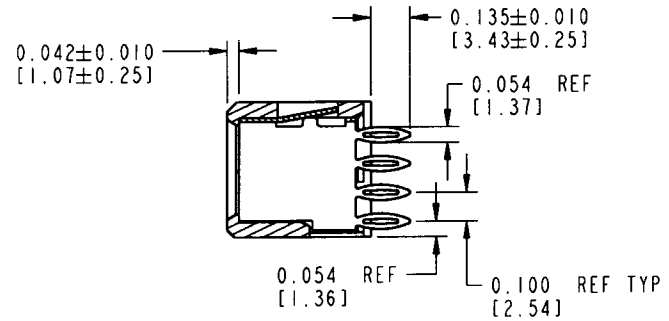
Tous droits strictement réservés. Reproduction ou communication à des tiers interdite sous quelque forme que ce soit sans autorisation écrite du propriétaire. Propriété de c FCI. Droits de reproduction FCI.

All rights strictly reserved. Reproduction or issue to third parties in any form whatever is not permitted without written authority from the proprietor. Property of FCI. Copyright FCI.

PRODUCT NUMBER
SEE SHEET 4



SECTION A-A
SCALE 3:2



SECTION B-B
SCALE 3:2

CONNECTORS - NOTES:

- ① HOUSING MATERIAL: UL 94 V-0 GLASS FILLED HIGH TEMP. THERMO PLASTIC
SIGNAL PIN MATERIAL: COPPER ALLOY
POWER CONTACT MATERIAL: COPPER ALLOY

2. PLATING:

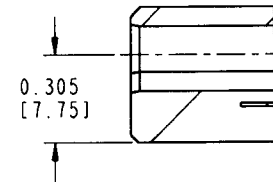
- SIGNAL CONTACTS: 30u"/0.76u Au OVER 50u"/1.27u Ni
WITH SnPb ON PCB INTERFACE
POWER CONTACTS: 50u"/1.27u Ni UNDER ALL;
WITH 30u"/0.76u Au ON CONTACT AREA
AND SnPb ON PCB INTERFACE

- ③ "MANUFACTURER'S" NAME, P/N, AND DATE CODE TO APPEAR ON THIS SURFACE

4. PRODUCT SPECIFICATION GS-12-149

PCB - NOTES

5. ALL DIMENSIONS ARE BASIC UNLESS OTHERWISE SPECIFIED.
6. ALL THROUGH HOLES ARE LOCATED WITH A TRUE POSITION OF 0.004 [0.10]
7. ALL HOLE DIAMETERS ARE FINISHED HOLE SIZE
8. Ø0.0453/1.151 DRILLED HOLES
PLATED WITH 0.0003/.008 MIN SnPb
OVER 0.001 [0.03] to 0.003 [0.08] Cu PLATING TO ACHIEVE
A Ø0.040±.003 [1.02±.07] HOLE



SECTION C-C
SCALE 3:2

mat'l code				NOTE 1			tolerances unless otherwise specified			CUSTOMER		FCI ELECTRONICS	
lfr	ecn no.	dr	date	linear	.XX±.01/0.X±0.3	projection	COPY		www.fciconnect.com		title		
B				angles	.XXX±.005/0.XX±0.13	INCH/MM	24S + 5P + 1M + 7P		VERTICAL PRESSFIT RECEPTACLE		code		
				dr	.XXXX±.0020/.XXX±.051	scale	product family		PwrBlade		213		
				engr	0°±2°	1:1	size		51617		sheet		
				chr	J. SHAFFER 1/12/01	A	dwg no				2		
				appd	J. DODDS 1/12/01								
sheet index	revision	sheet											

cage code 22526

Pro/E

PDM: Rev:B

STATUS: Released

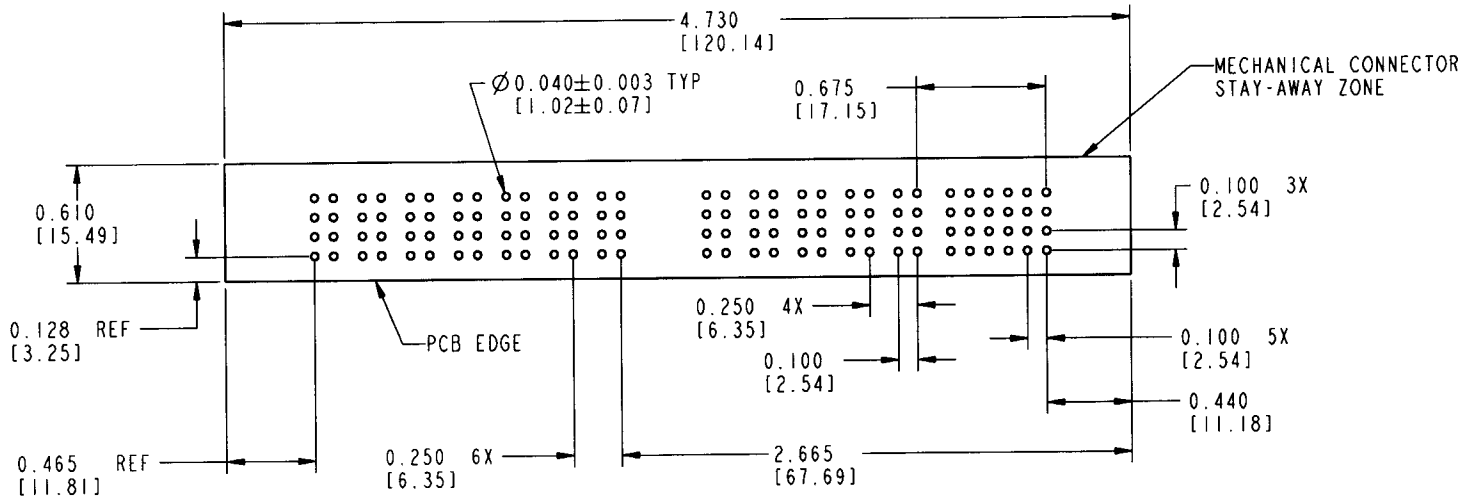
Printed: Dec 20, 2010

Tous droits strictement réservés. Reproduction ou communication o des tiers interdite sous quelque forme que ce soit sans autorisation écrite du propriétaire. Propriété de c FCI. Droits de reproduction FCI.

All rights strictly reserved. Reproduction or issue to third parties in any form whatever is not permitted without written authority from the proprietor. Property of FCI. Copyright FCI.



PRODUCT NUMBER
SEE SHEET 4



RECOMMENDED PCB LAYOUT

mat'l code		NOTE 1		tolerances unless otherwise specified		CUSTOMER		ELECTRONICS www.fciconnect.com	
lfr	ecn no.	dr	date	linear	.XX±.01/0.X±0.3	COPY		 title 24S + 5P + 1M + 7P VERTICAL PRESSFIT RECEPTACLE	product family PwrBlade code 213 size dwg no 51617 sheet 3
B					.XXX±.005/0.XX±0.13	projection			
					.XXXX±.0020/.XXX±.051	 INCH/MM scale 1:1			
				angles	0°±2°				
				dr	J. SHAFFER 1/12/01				
				engr	J. DODDS 1/12/01				
				chr	J. DODDS 1/12/01				
				appd	J. DODDS 1/12/01				
sheet index	revision	sheet							

cage code 22526

Pro/E

PDM: Rev:B

STATUS: Released

Printed: Dec 20, 2010

Tous droits strictement reserves. Reproduction ou communication a des tiers interdite sous quelque forme que ce soit sans autorisation ecrite du proprietaire. Propriete de c FCI. Droits de reproduction FCI.

All rights strictly reserved. Reproduction or issue to third parties in any form whatever is not permitted without written authority from the proprietor. Property of FCI. Copyright FCI.



CODE	CONTACT TYPE
PC	POWER
F	SIGNAL
X	OMIT

PRODUCT No.	ROWS	POWER								POWER					SIGNAL							
		E2	P12	P11	P10	P9	P8	P7	P6	P5	P4	P3	P2	P1	6	5	4	3	2	1	E1	
51617 - XX001	D C B A		PC	PC	PC	PC	PC	PC	PC	PC	PC	PC	PC	PC	PC	PC	PC	PC	PC	PC	PC	PC
51617-XX002	D C B A		PC	PC	PC	PC	PC	PC	PC	PC	PC	PC	PC	PC	PC	PC	PC	PC	PC	PC	PC	PC

mat'l code				NOTE 1		tolerances unless otherwise specified		CUSTOMER		ELECTRONICS www.fciconnect.com	
lfr	ecn no.	dr	date	linear	.XX±.01/0.X±0.3	projection		COPY		title	
B				angles	.XXX±.005/0.XX±0.13					24S + 5P + 1M + 7P	
				dr	XXXX±.0020/.XXX±.05	INCH/MM		product family		VERTICAL PRESSFIT RECEPTACLE	
				engr	0°±2°	scale		PwrBlade		code	
				chr	J. SHAFFER 1/12/01	1:1		size		213	
				appd	J. DODDS 1/12/01			dwg no		sheet	
					J. DODDS 1/12/01			A		4	
sheet index	revision sheet										

cage code 22526

Pro/E

PDM: Rev:B

STATUS: Released

Printed: Dec 20, 2010