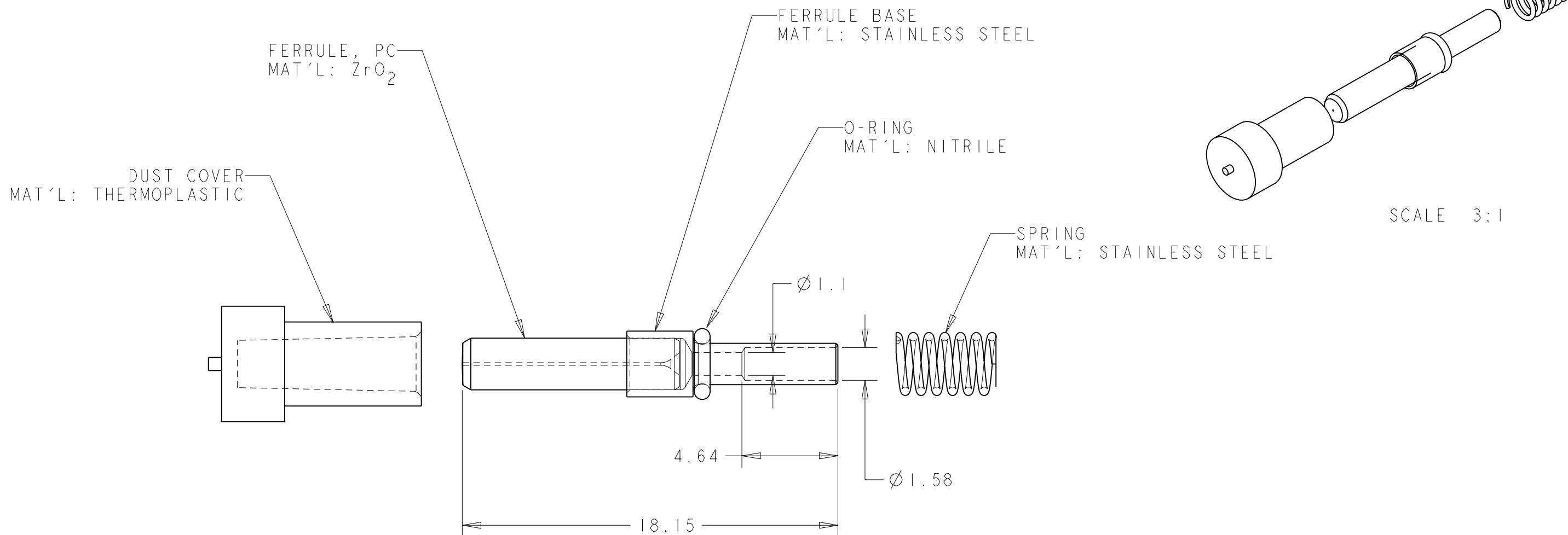


P	LTR	DESCRIPTION	DATE	DWN	APVD
	I	PPR 04-646	11JUN04	KG	DW
	A	RELEASE PER 0A00-0345-04	21JUL04	KG	DW
	B	ECR-05-017300	12DEC05	KG	DW

1. ALL DIMENSIONS ARE FOR REFERENCE ONLY.



125.5um	1754700-3
126um	1754700-2
125um	1754700-1
FIBER HOLE DIAMETER	PART NUMBER

THIS DRAWING IS A CONTROLLED DOCUMENT FOR TYCO ELECTRONICS CORPORATION. IT IS SUBJECT TO CHANGE AND THE CONTROLLING ENGINEERING ORGANIZATION SHOULD BE CONTACTED FOR THE LATEST REVISION.

DIMENSIONS: mm		TOLERANCES UNLESS OTHERWISE SPECIFIED:	
		0 PLC	±-
		1 PLC	±-
		2 PLC	±-
		3 PLC	±-
MATERIAL AS LISTED		FINISH	N/A

DWN	K. GLATFELTER	04JUN2004	 Tyco Electronics Harrisburg, PA 17105-3608	
CHK	D. WERTMAN	08JUN2004		
APVD	D. WERTMAN	11JUN2004		
NAME			FERRULE KIT, SEALED, PC, MINI EB	
PRODUCT SPEC			-	
APPLICATION SPEC			-	
SIZE	CAGE CODE	DRAWING NO	RESTRICTED TO	
A3	00779	1754700	-	
CUSTOMER DRAWING			SCALE	5:1
			SHEET	1 OF 1
			REV	B