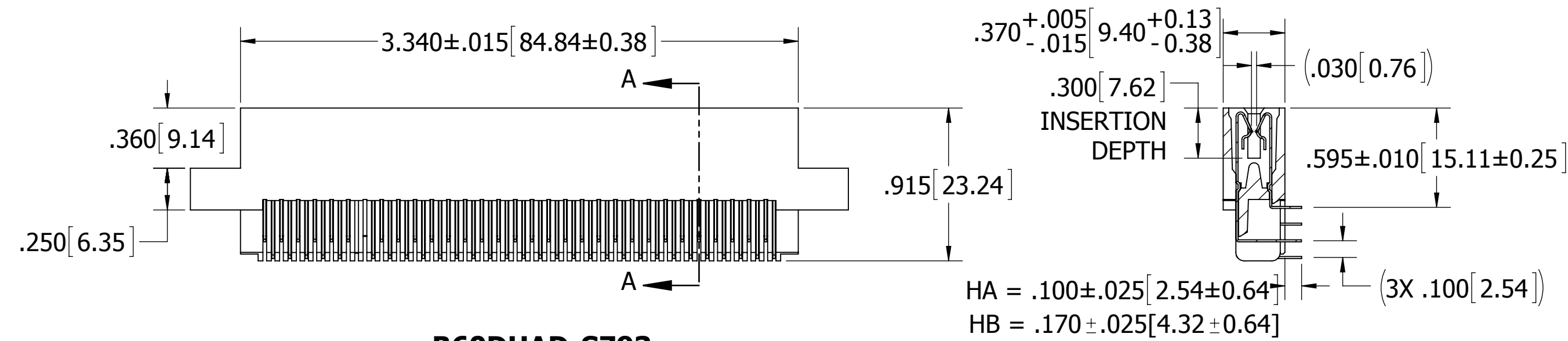
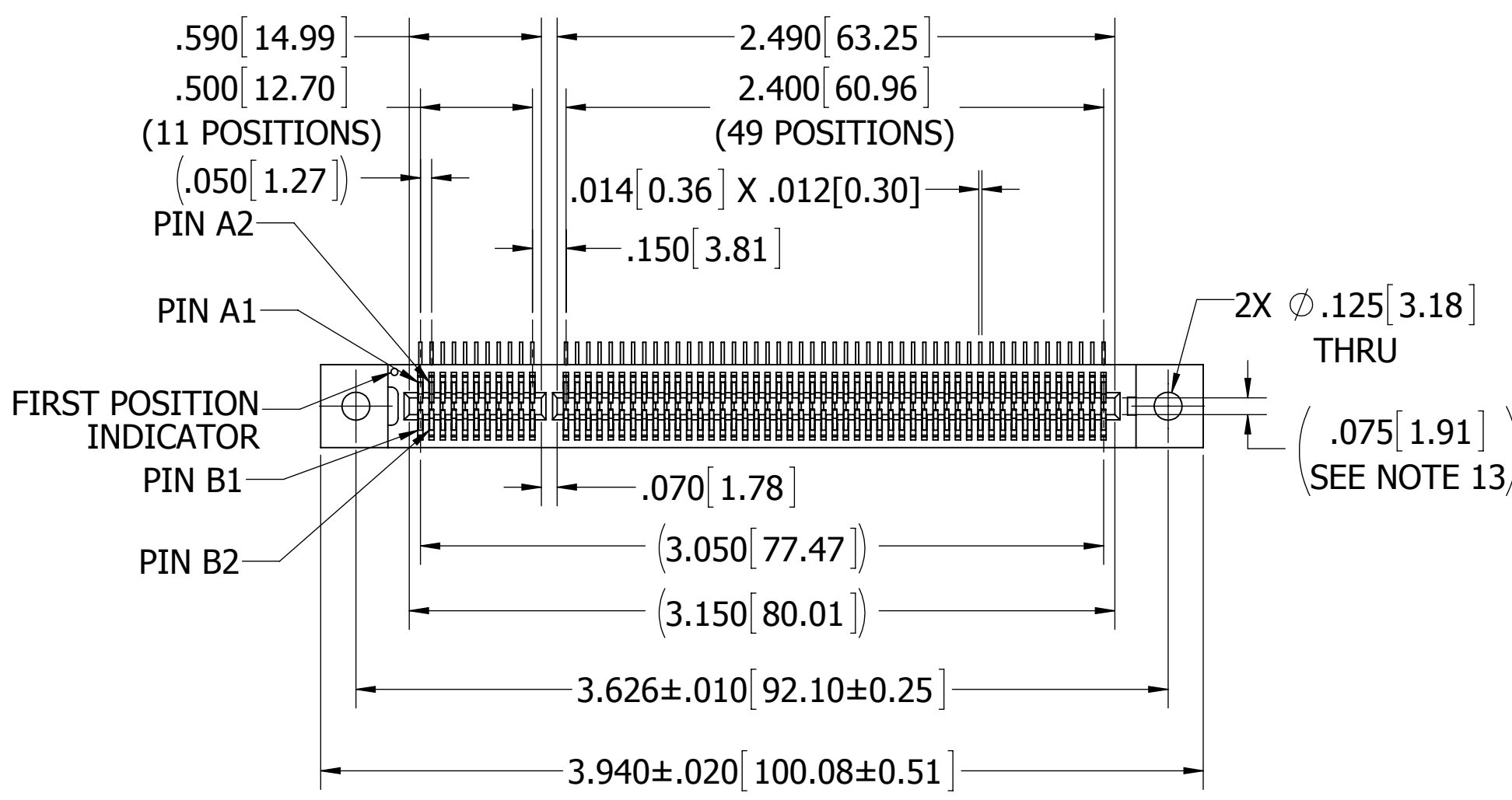
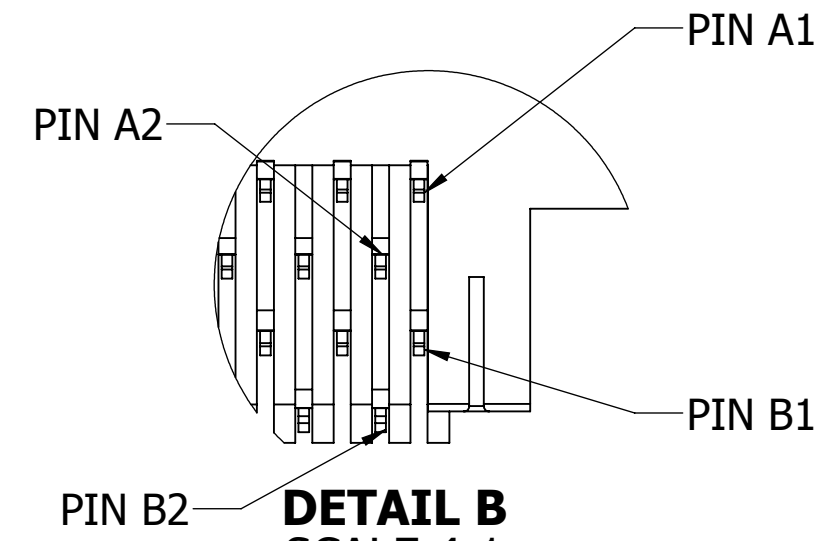
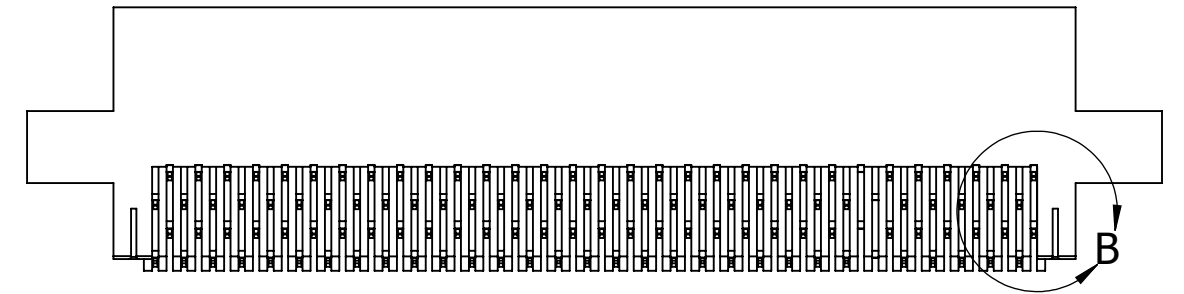


REVISIONS				
REV.	ECO. NO	DESCRIPTION	DATE	BY
D	2240	UPDATE BOARD LOCK DIST. 3.200 (WAS 3.192), CARD SLOT LENGTH 0.590 (WAS .595), WIDTH BETWEEN CARDSLOTS .070 (WAS .065), UPDATE DAUGHTER CARD & PCB LAYOUT, REMOVE E & H MTL OPTIONS, UPDATE INSERTION FORCE TO 6 OZ MAX	1/19/2011	JH
E	2535	UPDATED NOTES AND FORMAT	3/19/2012	SE
F	3062	UPDATE PIN DIMENSION FROM .018[0.46] TO .014[0.36], UPDATE DRAWING FORMAT	9/12/2014	JHSU
H	3218	UPDATE MODIFICATION NOTE, ROTATE VIEWS ON SHEET 2, ADD BACK VIEW, UPDATE WITHDRAWAL FORCE TO 1/2 OZ (WAS 1 OZ, REF : STR-153, STR-134, STR-079)	5/5/2015	MG



--- B60DHAD-S793  
 --- B60DHBD-S793

**SECTION A-A**

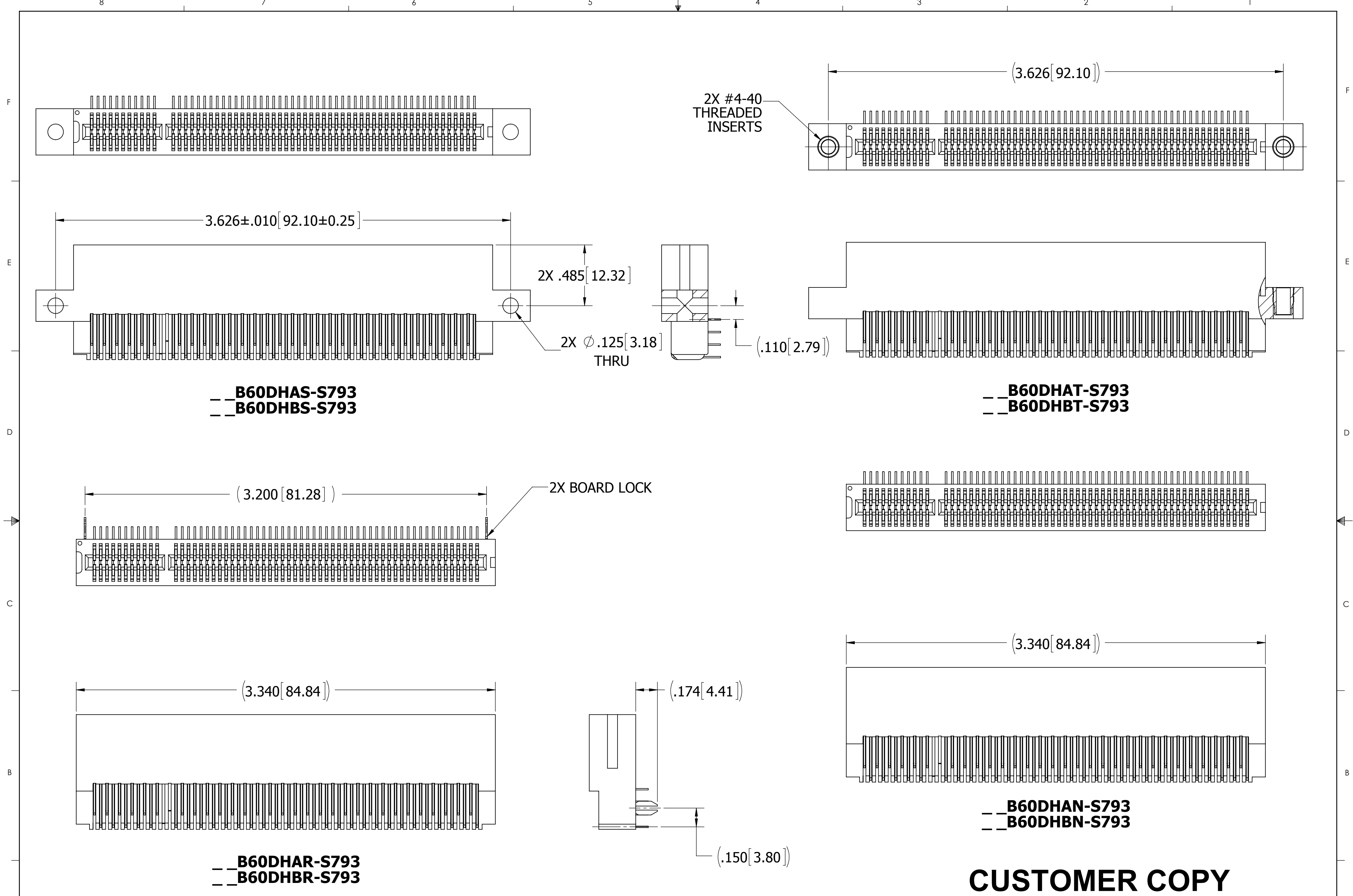


**CUSTOMER COPY**

- NOTES:**
1. INSULATOR MATERIAL: SEE PART NUMBER CODING
  2. CONTACT MATERIAL: SEE PART NUMBER CODING
  3. PLATING: SEE PART NUMBER CODING
  4. OPERATING TEMPERATURE: SEE PART NUMBER CODING
  5. PROCESSING TEMP: SEE PART NUMBER CODING
  6. UL FLAMMABILITY RATING: 94V-0
  7. OPERATING VOLTAGE: 300 VAC
  8. CURRENT RATING: 1 AMP
  9. CONTACT RESISTANCE: 30 MILLI OHMS MAX
  10. INSULATION RESISTANCE: 5000 MEGA OHMS
  11. DURABILITY: 500 CYCLES MIN
  12. CONNECTOR IDENTIFICATION: THE PART SHALL BE MARKED WITH A PART NUMBER AND LOT CODE
  13. BOARD THICKNESS ACCOMMODATED: .062 ± .008 [1.57 ± 0.20]
  14. INSERTION FORCE: 6 OZ MAX PER CONTACT PAIR WHEN USING A .062 [1.57] TEST BLADE
  15. WITHDRAWAL FORCE: 1/2 OZ MIN PER CONTACT PAIR USING .062 [1.57] PCB
  16. MODIFICATION: PCI 32 BIT, 3.3 VOLT 60 (11/49), RIGHT ANGLE BEND TOWARD LEFT



UNLESS OTHERWISE SPECIFIED: DIMENSIONS ARE IN INCHES [MM]	DRAWN	DATE	NAME			
		05/12/06	MNH			
TOLERANCES: ANGULAR: ± 1°  DECIMALS .XX = ± .02 [.5] .XXX = ± .005 [0.13] .XXXX = ± .0005 [0.13]	THE INFORMATION HEREIN CONTAINS PROPRIETARY INFORMATION OF SULLINS ELECTRONICS AND IS NOT TO BE REPRODUCED, USED OR DISCLOSED TO OTHERS FOR ANY PURPOSE EXCEPT AS SPECIFICALLY AUTHORIZED IN WRITING BY AN OFFICER OF SULLINS ELECTRONICS.			TITLE	CONNECTOR, .050 CC RAB LEFT	
	PART NUMBER B60D-S793, (DHA, DHB)			SIZE	CAGE CODE	DWG. NO.
			C	54453	C10370	H
SCALE: 3:2			SHEET 1 OF 3			



# CUSTOMER COPY



UNLESS OTHERWISE SPECIFIED: DIMENSIONS ARE IN INCHES [MM]	DRAWN	DATE	NAME	
		05/12/06	MNH	
TOLERANCES: ANGULAR: $\pm 1^\circ$ DECIMALS .XX = $\pm .02 [ .5]$ .XXX = $\pm .005 [ .13]$ .XXXX = $\pm .0005 [ .013]$	<small>THE INFORMATION HEREIN CONTAINS PROPRIETARY INFORMATION OF SULLINS ELECTRONICS AND IS NOT TO BE REPRODUCED, USED OR DISCLOSED TO OTHERS FOR ANY PURPOSE EXCEPT AS SPECIFICALLY AUTHORIZED IN WRITING BY AN OFFICER OF SULLINS ELECTRONICS.</small>			<b>TITLE</b> CONNECTOR, .050 CC RAB LEFT
	<b>PART NUMBER</b> _B60D_-S793, (DHA, DHB)			
	SIZE	CAGE CODE	DWG. NO.	
	C	54453	C10370	
	SCALE: 2:1		SHEET 2 OF 3	

**PART NUMBER CODING**

**B60D -S793**

**MATERIAL (INSULATOR/CONTACT)**

**R = PPS/PHOSPHOR BRONZE**

OPERATING TEMP: -65°C TO +125°C  
 PROCESSING TEMP: 260°C MAX FOR 20 SECONDS

**G = PA9T/PHOSPHOR BRONZE**

OPERATING TEMP: -65°C TO +125°C  
 PROCESSING TEMP: 260°C MAX FOR 20 SECONDS

**A = PPS/BERYLLIUM COPPER**

OPERATING TEMP: -65°C TO +150°C  
 PROCESSING TEMP: 260°C MAX FOR 20 SECONDS

**J = PA9T/BERYLLIUM COPPER**

OPERATING TEMP: -65°C TO +150°C  
 PROCESSING TEMP: 260°C MAX FOR 20 SECONDS

(CONSULT FACTORY FOR OTHER MATERIALS)

**MOUNTING STYLE**

- D = FLUSH MOUNTING
- S = SIDE MOUNTING
- N = NO MOUNTING EARS
- T = FLUSH MOUNTING, WITH THREADED INSERTS
- R = BOARD LOCKS

**TERMINATION TYPE**

- HA = .100" [2.54 mm] STAGGERED DIP SOLDER, .050" CENTERS
- HB = .170" [4.32 mm] STAGGERED DIP SOLDER, .050" CENTERS

**PLATING**

**ALL PLATINGS ARE LEAD FREE AND HAVE .000050" NICKEL UNDERPLATE**

CONTACT SURFACE

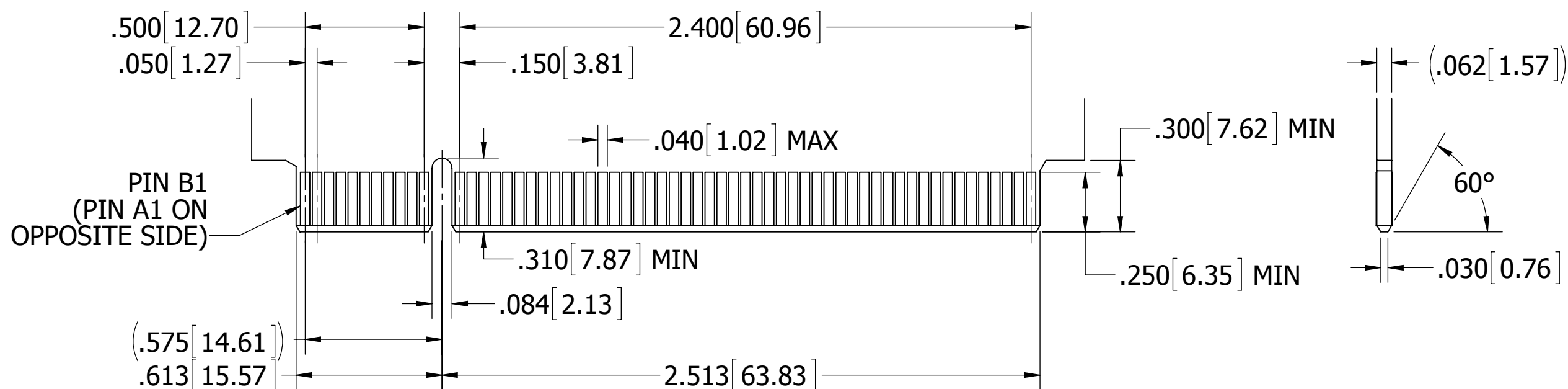
TERMINATION

B = .000010" GOLD

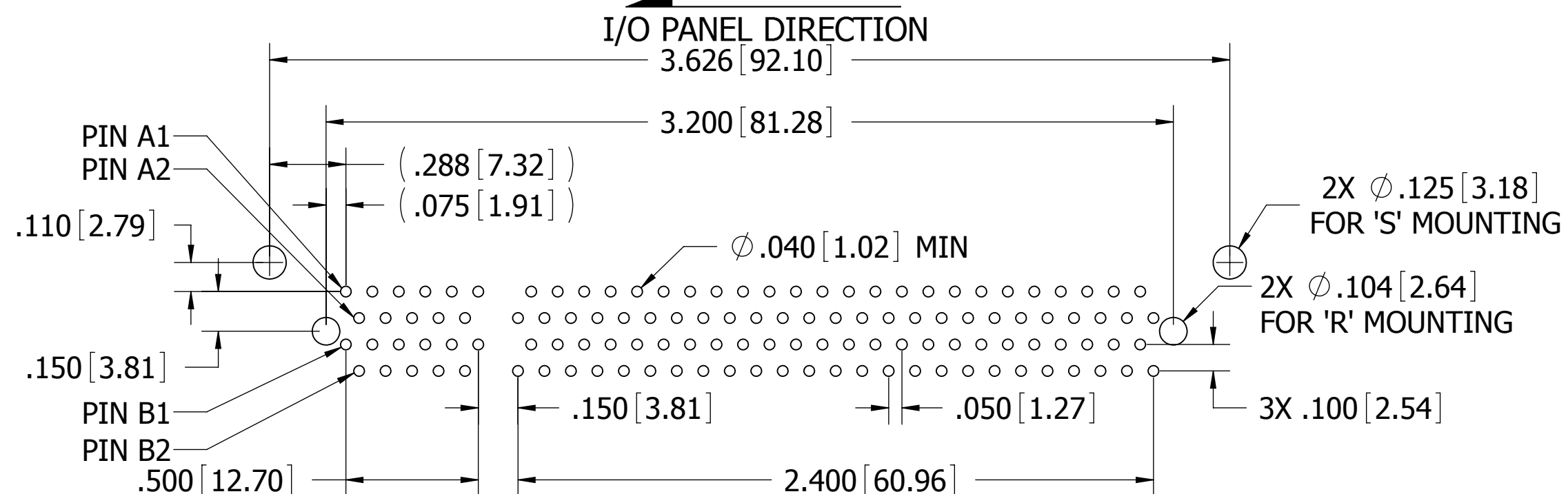
.000100" PURE TIN, MATTE

C = .000030" GOLD

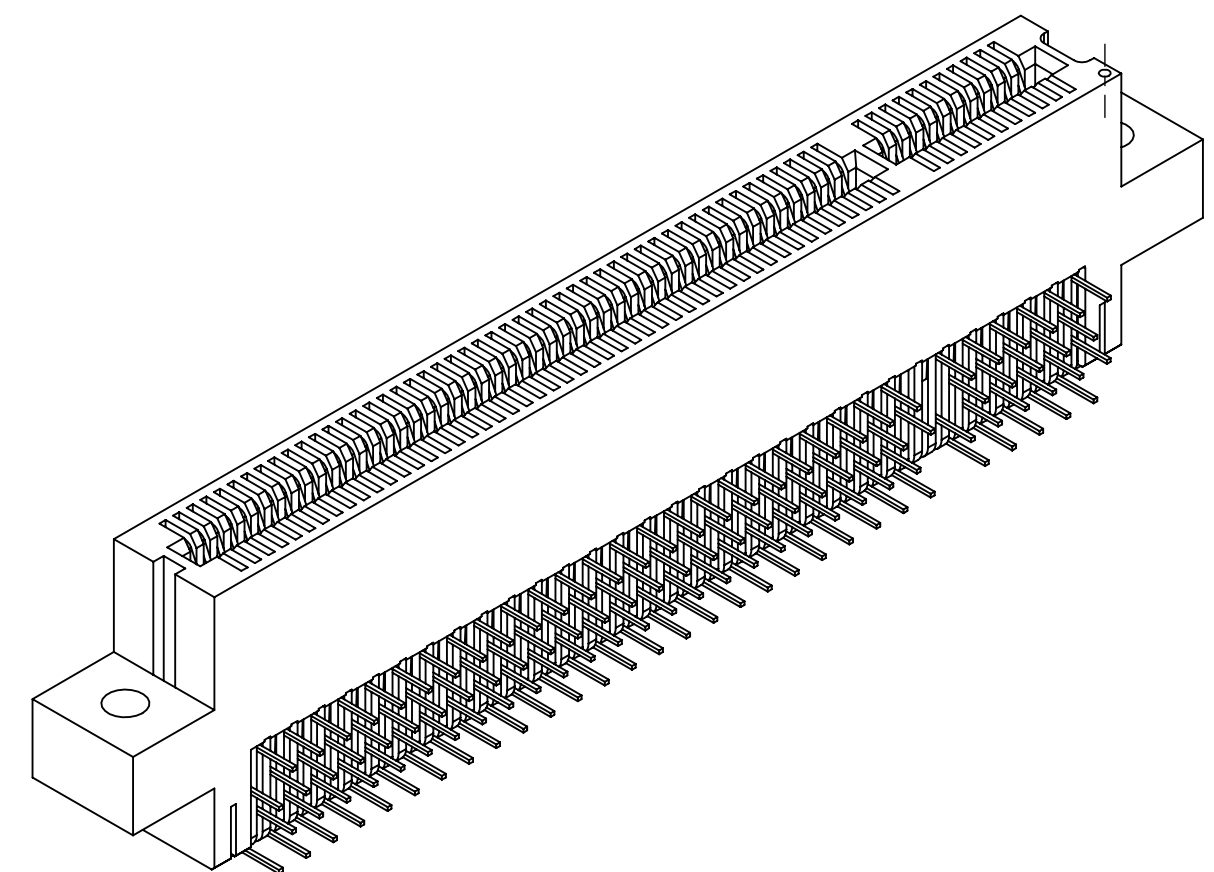
.000100" PURE TIN, MATTE



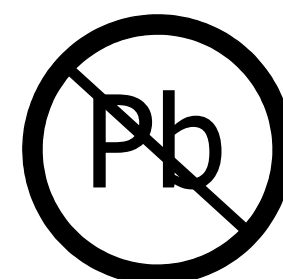
**RECOMMENDED DAUGHTER CARD LAYOUT  
(COMPONENT SIDE)**



**RECOMMENDED PCB LAYOUT  
CONNECTOR SIDE**



**CUSTOMER COPY**



RoHS COMPLIANT

UNLESS OTHERWISE SPECIFIED: DIMENSIONS ARE IN INCHES [MM]		DRAWN	DATE	NAME		
			05/12/06	MNH		
TOLERANCES:					THE INFORMATION HEREIN CONTAINS PROPRIETARY INFORMATION OF SULLINS ELECTRONICS AND IS NOT TO BE REPRODUCED, USED OR DISCLOSED TO OTHERS FOR ANY PURPOSE EXCEPT AS SPECIFICALLY AUTHORIZED IN WRITING BY AN OFFICER OF SULLINS ELECTRONICS.	
ANGULAR: ± 1°					TITLE CONNECTOR, .050 CC RAB LEFT	
DECIMALS .XX = ± .02 [.5] .XXX = ± .005 [.13] .XXXX = ± .0005 [.013]					PART NUMBER B60D -S793, (DHA, DHB)	
		SIZE	CAGE CODE	DWG. NO.	REV	
		C	54453	C10370	H	
SCALE: 2:1		SHEET 3 OF 3				