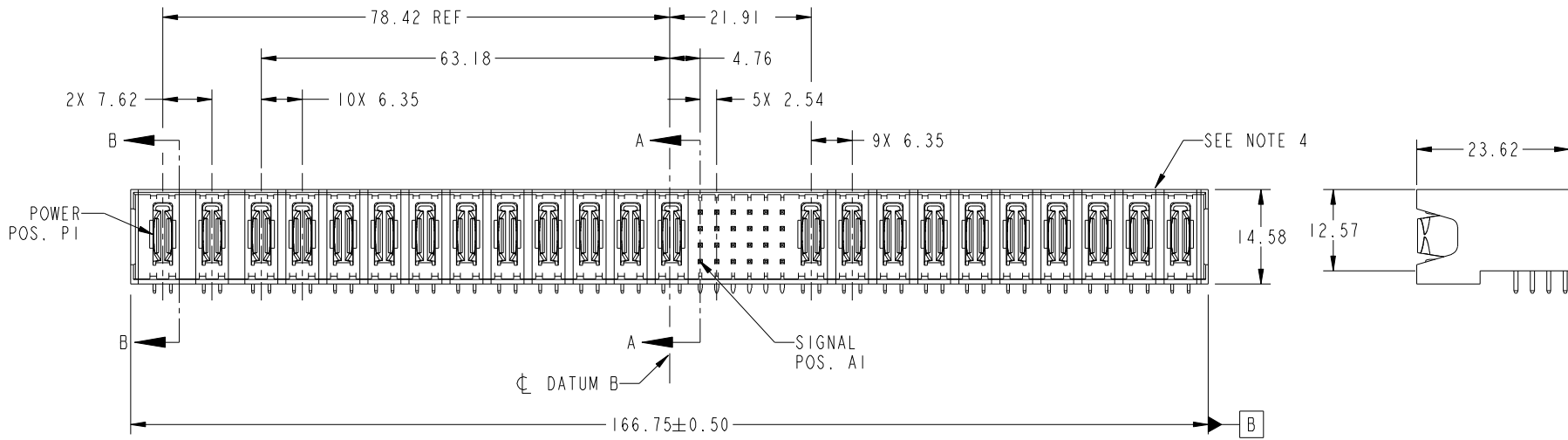


PRODUCT NO.	ROWS	POWER												SIGNAL						POWER										
		P1	P2	P3	P4	P5	P6	P7	P8	P9	P10	P11	P12	P13	1	2	3	4	5	6	P14	P15	P16	P17	P18	P19	P20	P21	P22	P23
51939-712-- NOTE 3	D C B A	PA	PA	PA	PA	PA	PA	PA	PA	PA	PA	PA	PA	PA	UUUUUU	UUUUUU	UUUUUU	UUUUUU	UUUUUU	UUUUUU	PA	PA	PA	PA	PA	PA	PA	PA	PA	PA



CODE	DIM "M" MATING LENGTH	CONTACT TYPE
U	[6.86]	SIGNAL
T	[6.86]	SIGNAL
S	[6.86]	SIGNAL
R	[6.86]	SIGNAL
PA	[N/A]	POWER

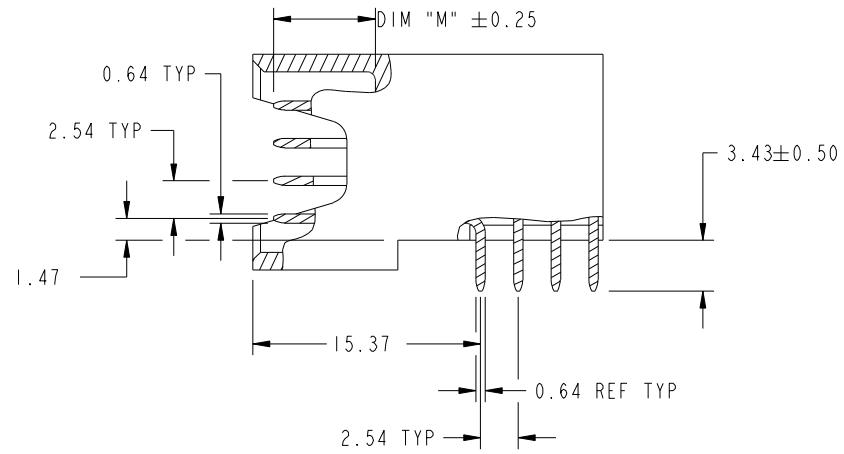
spec ref	*	dr	Weller Luo	2012-11-21	projection	MM	size	A4	scale	1:1		
tolerance std	TOLERANCES UNLESS OTHERWISE SPECIFIED	eng	Weller Luo	2012-11-27				ecn no	DG06-XXXX			
SEE NOTE		chr	-	-		product family		PwrBlade	rel level	Released		
surface	linear	0.X	±0.5			title <b>3ACP+10P+24S+9P</b> RIGHT ANGLE SOLDER HEADER	dwg no <b>51939-712</b>	rev <b>A</b>	www.fci.com	cat. no. -	<b>Product - Customer Drw</b>	sheet 1 of 4
		0.XX	±0.25									
	angular	0°	±2°									



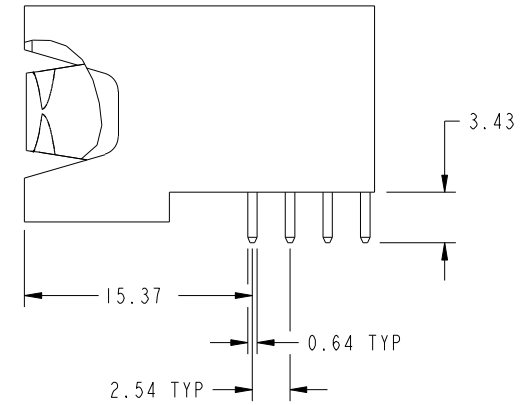
Copyright FCI.

Print File - REV C - 2009-06-09

PRODUCT NUMBER  
51939-712\_\_  
NOTE: 3



BROKEN-OUT SECTION A-A  
SCALE 2:1



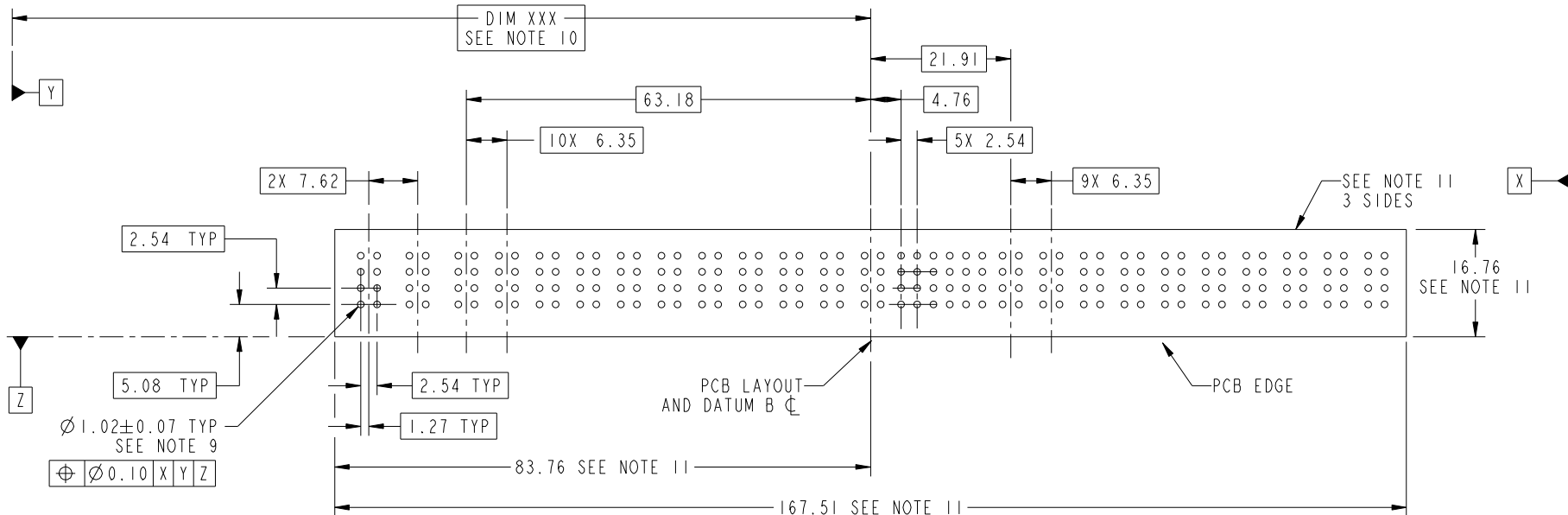
BROKEN-OUT SECTION B-B  
SCALE 2:1



Copyright FCI.

dr	Weller Luo	2012-11-21	projection 	MM 	size	A4	scale	1:1	
eng	Weller Luo	2012-11-27			ecn no	DG06-XXXX			
chr	-	-			rel level	Released			
appr	PM Zheng	2012-11-27	product family	PwrBlade					
	title	3ACP+10P+24S+9P			dwg no	51939-712		rev	A
www.fci.com	cat. no.	-			Product - Customer Drw			sheet 2 of 4	

PRODUCT NUMBER  
51939-712\_\_  
NOTE: 3



RECOMMENDED PCB LAYOUT



Copyright FCI.

dr	Weller Luo	2012-11-21	projection	MM	size	scale
eng	Weller Luo	2012-11-27			A4	1:1
chr	-	-			ecn no	DG06-XXXX
appr	PM Zheng	2012-11-27	product family	PwrBlade	rel level	Released
	title	3ACP+10P+24S+9P		dwg no	51939-712	
www.fci.com	cat. no.	-		Product - Customer Drw	rev	A
					sheet 3 of 4	

PRODUCT NUMBER

51939-712\_\_  
NOTE: 3

NOTES:

1. DIMENSIONS AND TOLERANCES ARE IN ACCORDANCE WITH ASME Y14.5M, 1994 UNLESS OTHERWISE SPECIFIED.

CONNECTOR NOTES:

- 2. HOUSING MATERIAL: UL 94 V-0 GLASS FILLED HIGH-TEMP THERMOPLASTIC  
POWER CONTACT MATERIAL: COPPER ALLOY  
SIGNAL PIN MATERIAL: COPPER ALLOY
- 3. SEE ITEM 1 & 2 IN PRINT 10064183 FOR PLATING SPEC OF 51939-712 AND 51939-712LF RESPECTIVELY.
- 4. MANUFACTURER'S NAME, DATE CODE AND OPTIONAL P/N TO APPEAR ON THIS SURFACE. THE P/N CAN BE OMITTED IF THERE IS NOT ENOUGH SPACE ON THIS SURFACE.
- 5. PRODUCT SPECIFICATION GS-12-149.  
APPLICATION SPECIFICATION BUS-20-067.
- 6. PACKAGED IN TRAYS.

PCB NOTES:

- 7. ALL HOLE DIAMETERS ARE FINISHED HOLE SIZE.
- 8. MOUNTING HOLES, WHERE APPLICABLE, ARE UNPLATED.
- 9.  $\varnothing 1.151 \pm 0.025$  DRILLED HOLES PLATED WITH 0.008 MIN SnPb OR Sn OVER 0.03 TO 0.08 Cu PLATING TO ACHIEVE  $\varnothing 1.02 \pm 0.07$  HOLE.
- 10. "DIM XXX" TO BE DETERMINED BY THE CUSTOMER.
- 11. CONNECTOR KEEP-OUT ZONE.



C

Copyright FCI.

D

dr	Weller Luo	2012-11-21	projection 	MM 	size	A4	scale	1:1	
eng	Weller Luo	2012-11-27			ecn no	DG06-XXXX			
chr	-	-			rel level	Released			
appr	PM Zheng	2012-11-27	product family		PwrBlade				
			title			3ACP+10P+24S+9P		rev	A
www.fci.com			cat. no.			-		Product - Customer Drw	
			dwg no			51939-712		sheet 4 of 4	