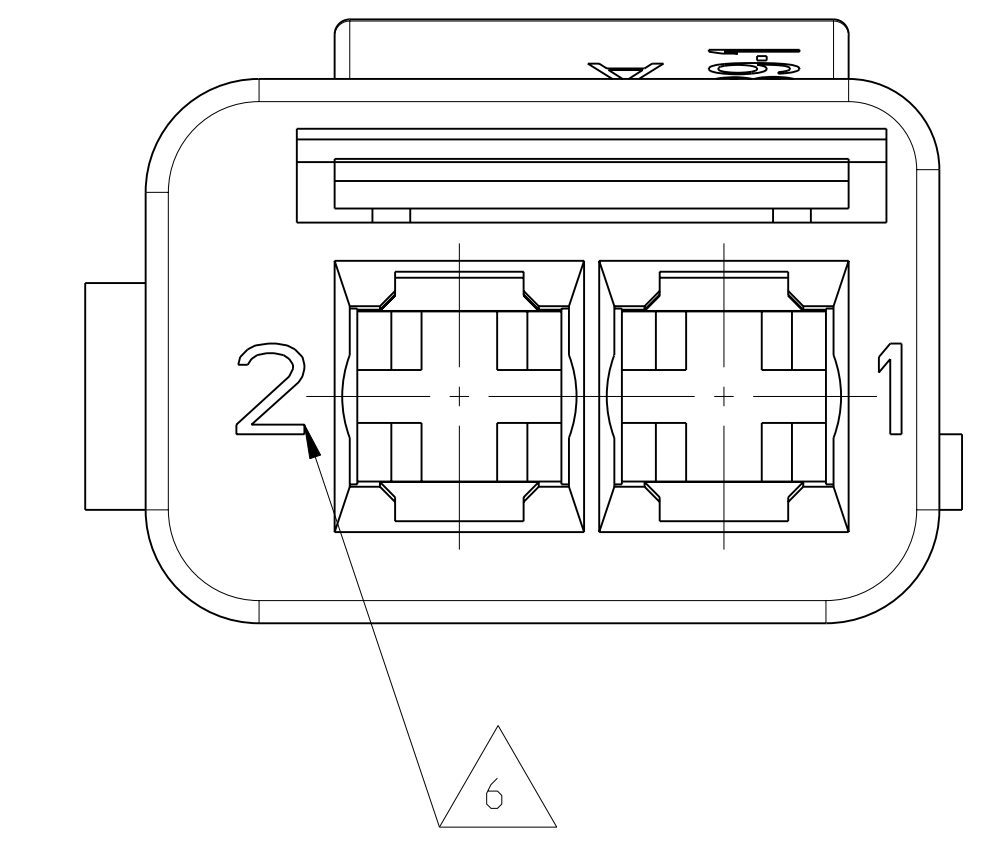
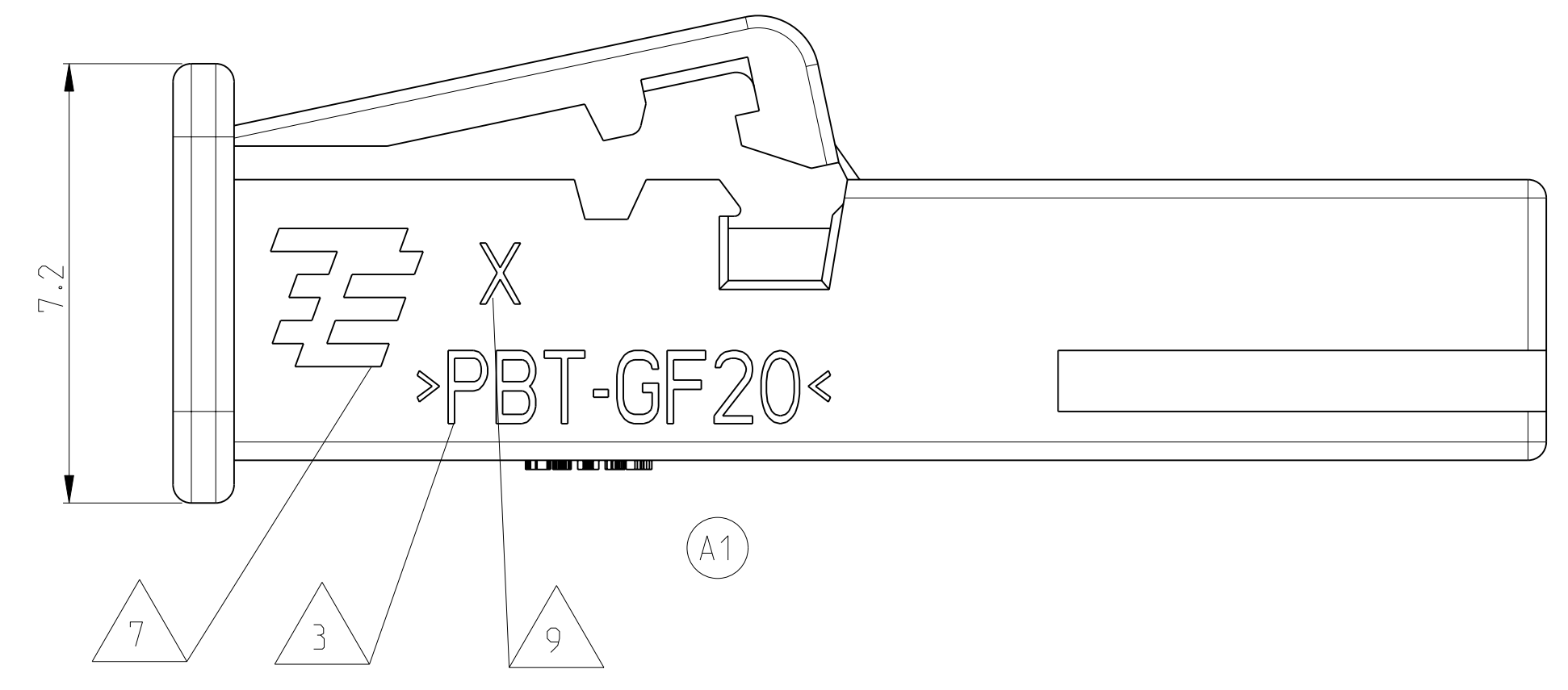
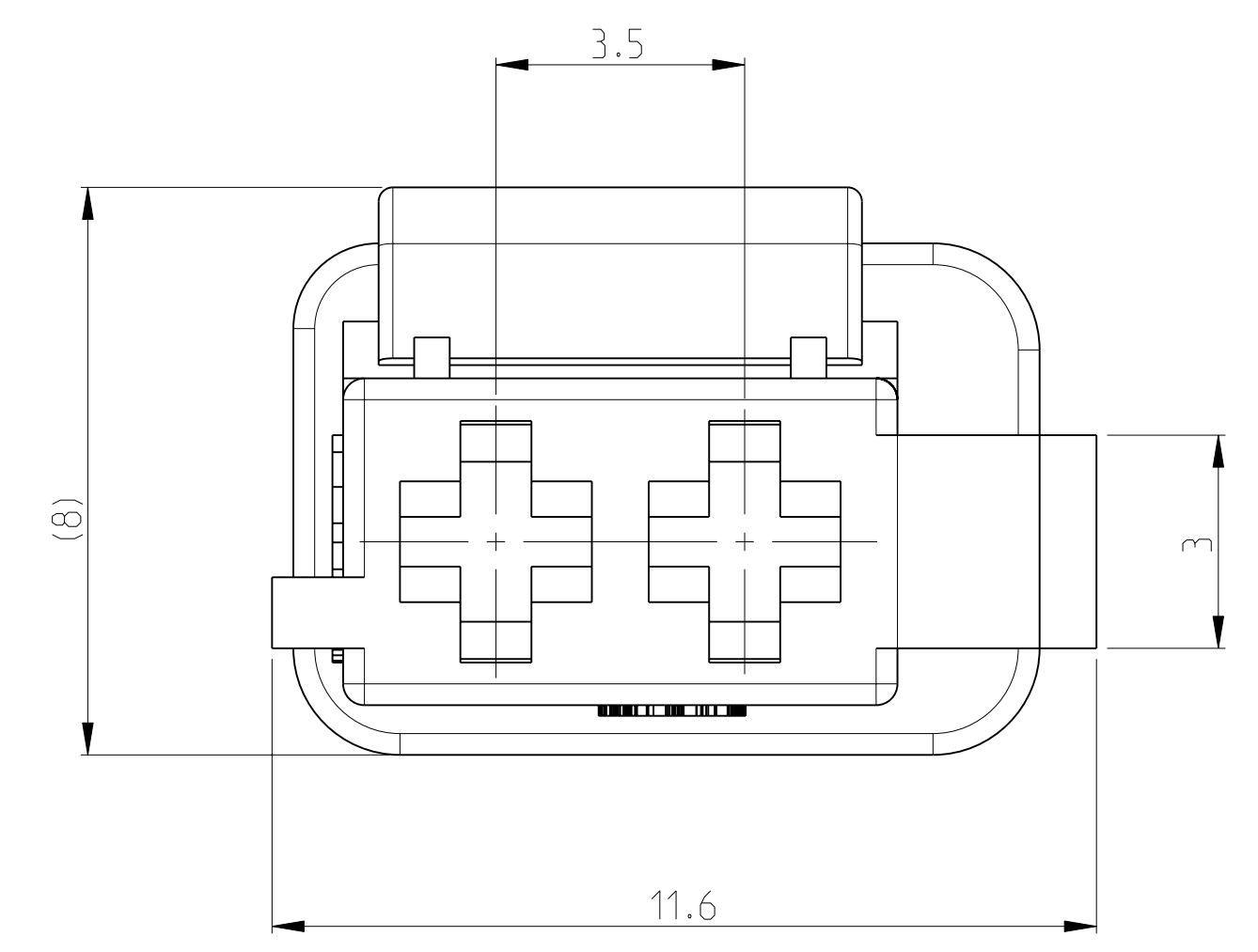
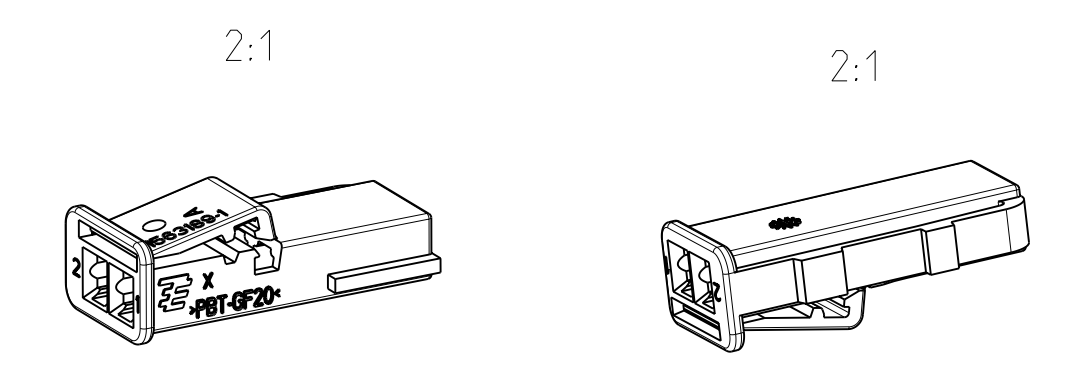
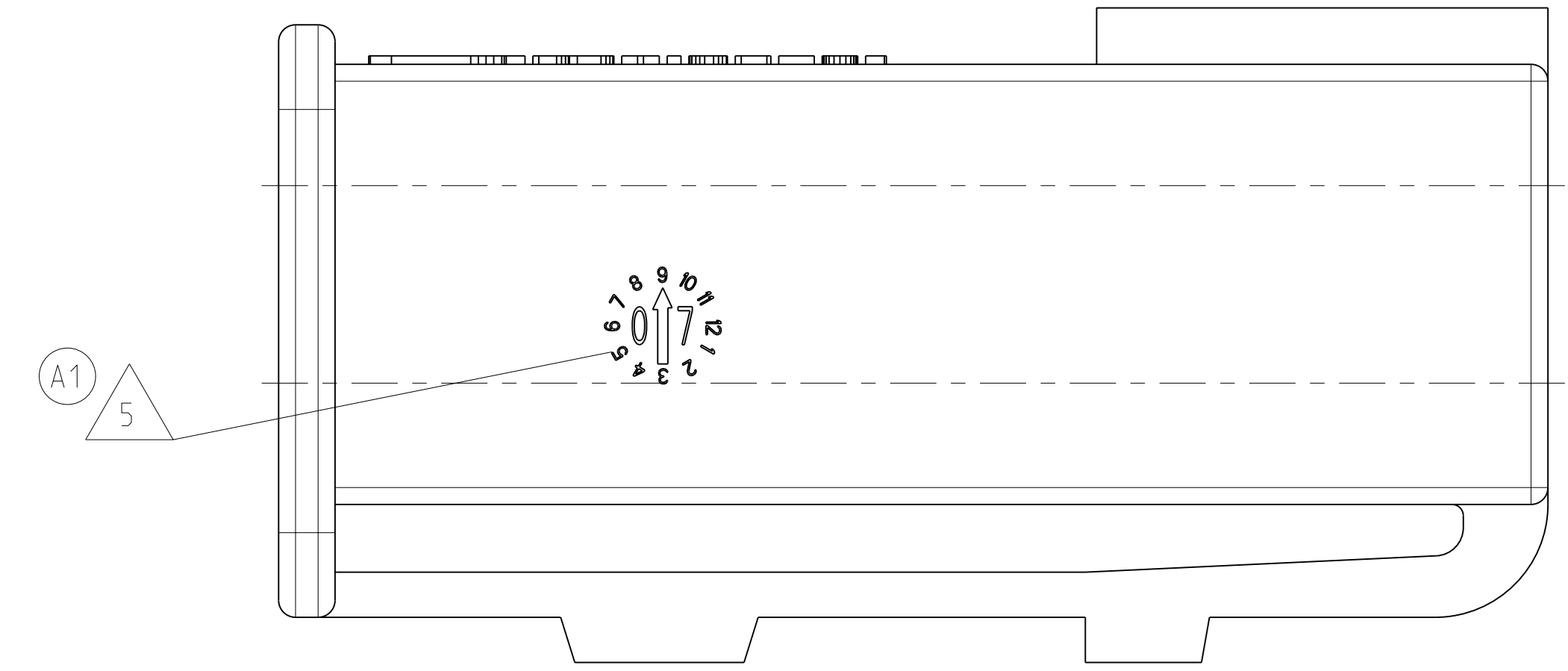
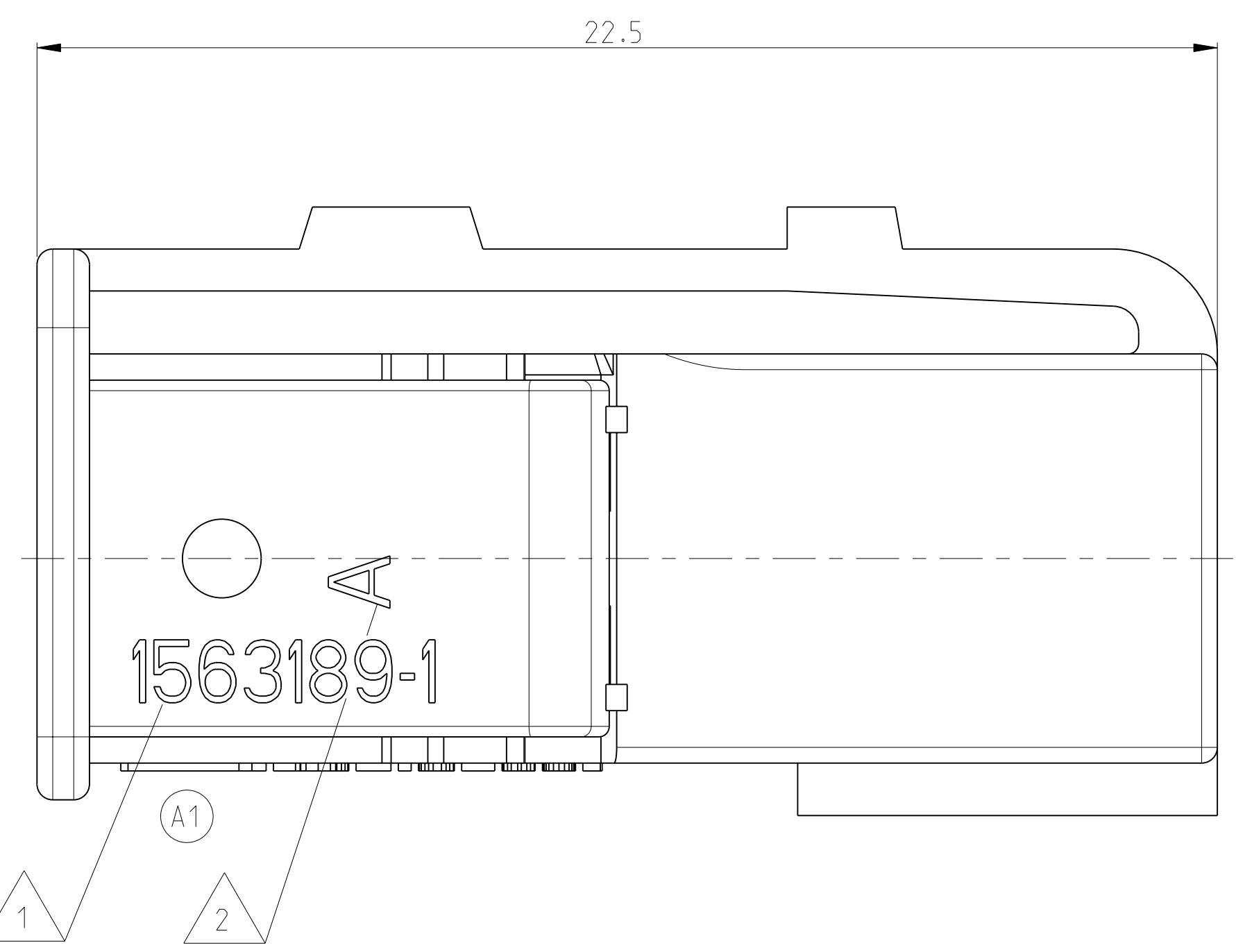
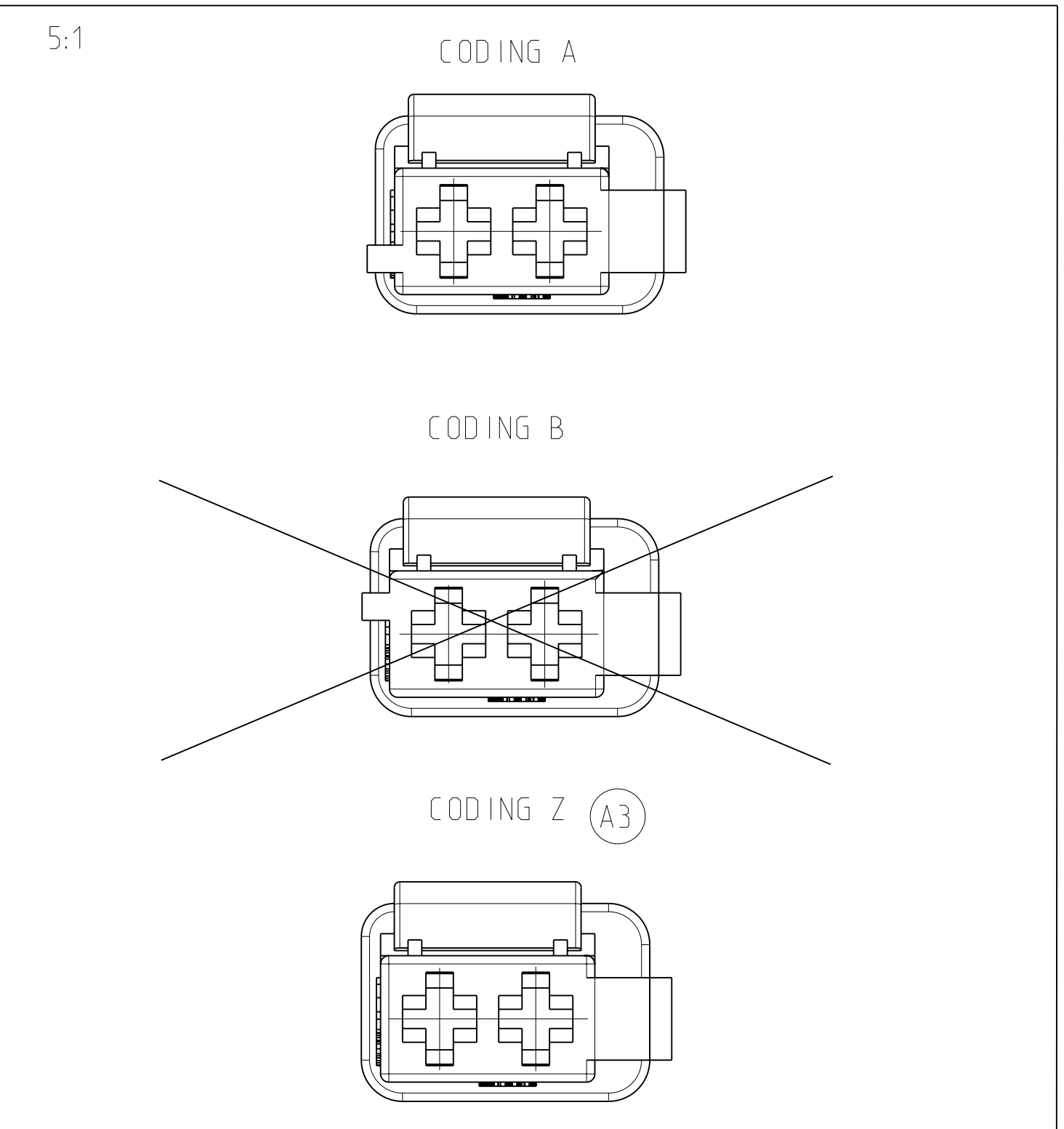


PROJECT NO.		LOC	DIST	REVISIONS			
EGATN07138		A1	-	REV	DATE	BY	APPV
A1	SEE E-08-012925				27MAY2008	CA	VB
A2	SEE E-08-016252				27JUN2008	CA	VB
A3	SEE E-08-018637				24JUL2008	CA	VB
A4	SEE E-10-019775				23SEP2010	SK	AK



- NOTES  
BEMERKUNGEN
- NV NOTE NOT VALID  
Bemerkung nicht verwendet
  - 1 ORDER NUMBER  
BESTELL-NUMMER
  - 2 REVISION NUMBER  
WERKZEUGÄNDERUNGSINDEX
  - 3 MATERIAL MARKING  
WERKSTOFFKENNZEICHNUNG
  - NV GM LOGO  
GM Logo
  - 5 PRODUCTION DATE  
PRODUKTIONSdatum
  - 6 CONTACT CAVITY NUMBER  
KONTAKTKAMMERNUMMER
  - 7 TE LOGO  
TE Logo
  - 8 PACKAGING: BULK MATERIAL IN CARDBOARD BOX  
VERPACKUNG: SCHÜTTGUT IN KARTON
  - 9 TOOL CAVITY MARKING  
NESTMARKIERUNG



A4	114-18987	SCHNITTSTELLENZEICHNUNG Interface Drawing
	929103	2 Pos. TAB 1.6x0.6 TAB-Hsg.
	1563190	2 Pos. TAB 1.6x0.6, TAB-Hsg.
	TE BESTELL-NR. TE ORDER NO.	BENENNUNG DESCRIPTION
	COUNTERPARTS GEGENSTECKER	

GM NO	TE ORDER NO STRIP FORM	WIRE RANGE MM <sup>2</sup>	MATERIAL	FINISH
13106617	0-1241844-2	1.5	CuFe 2	PRETINNED
13106617	0-0964263-2	0.5-1.0	CuFe 2	PRETINNED
13106617	0-0964261-2	0.35-0.5	CuFe 2	PRETINNED

RECOMMENDED CONTACT SYSTEM: MICRO TIMER 2 TYPE A; UNSEALED  
 FOR CABLE INSULATION TYPE FLR ACC. DIN 72551 / ISO 6722 MAX. WIRE SIZE 1.5mm<sup>2</sup>  
 MAX. CABLE INSULATION CRIMP DIAMETER 2.9mm  
 FOR CABLE INSULATION TYPE TXL ACC. SAE J128 MAX. WIRE SIZE 1.0mm<sup>2</sup> OR MAX AWG 18  
 THE USE OF OTHER CABLE TYPES MUST BE CHECKED IN ANY INDIVIDUAL CASE!

F2-48	24414864	0-1563189-3	A	2 Pos. MT2, Rec-Hsg. CODZ	NATUR	PBT-GF20	0.9	1
-	-	0-1563189-2	A	2 Pos. MT2, Rec-Hsg. COBB	Hbd	PBT-GF20	0.9	1
GF2-50	19179871	0-1563189-1	A	2 Pos. MT2, Rec-Hsg. CODA	BLACK	PBT-GF20	0.9	1
CUSTOMER ABBR. NO	GM PART NO	PART NO	REV	DESCRIPTION	COLOR	MATERIAL	WEIGHT (g)	ITEM NO

DIMENSIONS:		TOLERANCES UNLESS OTHERWISE SPECIFIED:		DWN C.A. Anghelescu A. Kettler		29 JUN 2007 29 JUN 2007		Tyco Electronics AMP GmbH 64625 Bensheim (Germany)	
mm	9 PLC ±0.5 1 PLC ±0.5 2 PLC ±0.5 4 PLC ±0.5 ANGLES ±°	A2	PRODUCT SPEC 108-94118	NAME 2 Pos. MT2, Rec. Hsg.		SIZE 114-18901		RESTRICTED TO	
MATERIAL	FINISH	WEIGHT	114-18901	CAGE CODE A1100779		DRAWING NO C=1563189		SCALE 5:1	
CUSTOMER DRAWING			SHEET 1 OF 1		REV A4				