

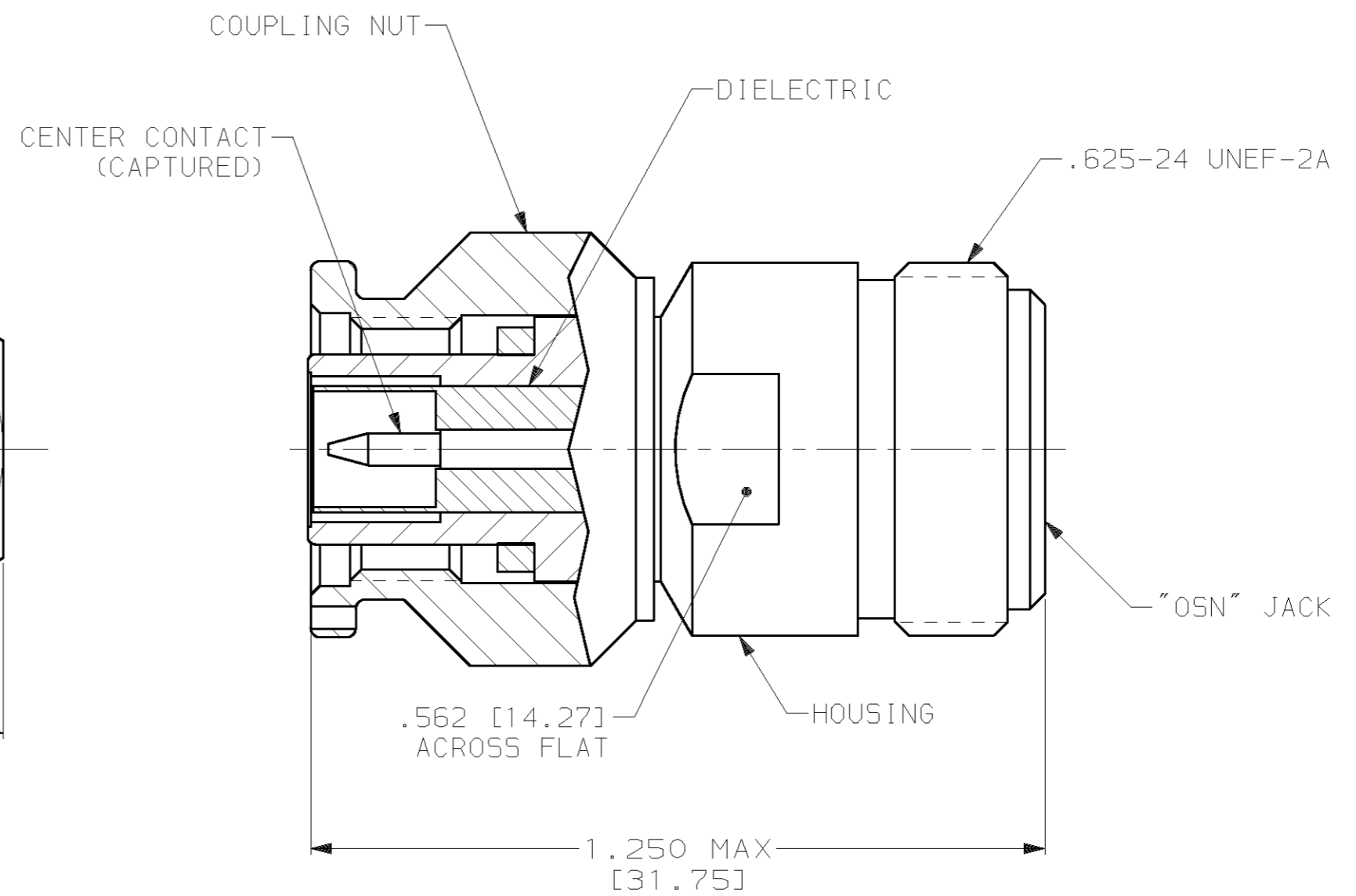
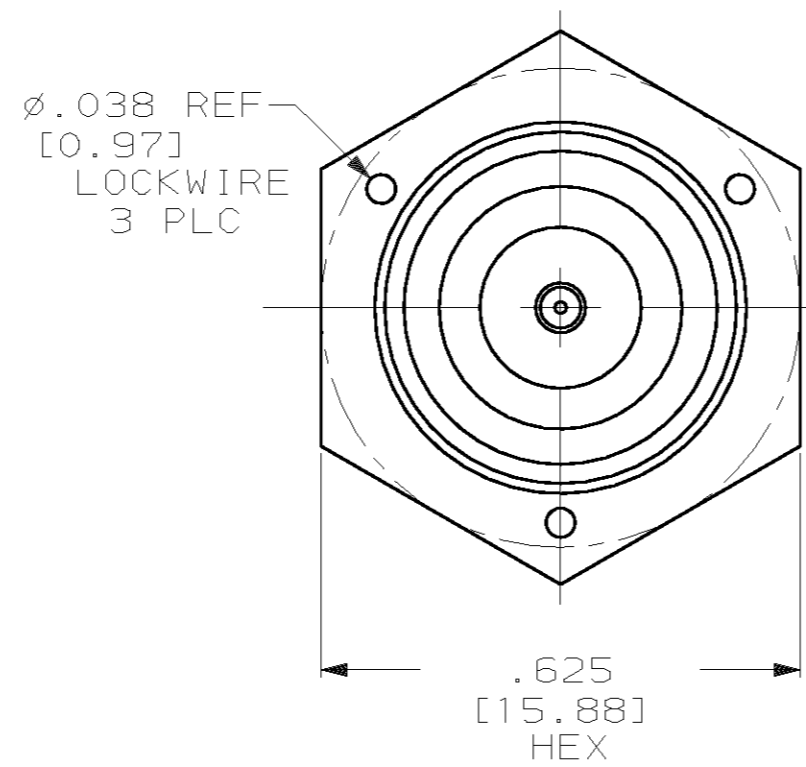
THIS DRAWING IS UNPUBLISHED. RELEASED FOR PUBLICATION  
 (C) COPYRIGHT 19 BY AMP INCORPORATED. ALL RIGHTS RESERVED.

LOC	DIST	REVISIONS					
DF	XO	P	LTR	DESCRIPTION	DATE	DWN	APVD
		0		RELEASED	9-01	CT	RG

COMPONENT	MATERIAL	FINISH
HOUSING COUPLING NUT	STAINLESS STEEL PER ASTM-A-484 OR ASTM-A-582 TYPE 303	PASSIVATED PER QQ-P-35
DIELECTRIC	PTFE FLUORCARBON PER ASTM-D-1457	-
CENTER CONTACT	BERYLLIUM COPPER PER ASTM-B-196 OR ASTM-B-197 ALLOY C17300, CONDITION H	GOLD PLATED PER ASTM-B-488

**ELECTRICAL**

NORMAL IMPEDANCE (OHMS):	50
FREQUENCY RANGE (GHz):	DC TO 18.0
VOLT RATING @ SEA LEVEL (VRMS MAX):	500
VSWR:	1.17:1 MAX
INSERTION LOSS: (dB MAX):	0.4
RF HIGH POTENTIAL VOLTAGE:	1,000 V <sub>rm</sub> MIN
INSULATION RESISTANCE:	5,000 Megaohm MIN
WORKING VOLTAGE:	500 V <sub>rm</sub> @ SEA LEVEL
DWV:	1,500 V <sub>rm</sub> MIN AT SEA LEVEL
CORONA LEVEL:	375 V MIN AT 70,000 FEET
TEMPERATURE RATING:	-65°C TO +165°C



1484244-1  
PART NO.

THIS DRAWING IS A CONTROLLED DOCUMENT.		DWN C.C. THOMAS 9-5-01	AMP TYCO Electronics Corporation Harrisburg, PA 17105-3608	
DIMENSIONS: INCHES [mm]		CHK R. GROSS 9-5-01	NAME OSN JACK TO OST PLUG ADAPTER	
		APVD R. GROSS 9-5-01	SIZE A2	
TOLERANCES UNLESS OTHERWISE SPECIFIED: 0 PLC ±- 1 PLC ±- 2 PLC ±- 3 PLC ±.010 [0.25] 4 PLC ±- ANGLES ±-		PRODUCT SPEC -	CAGE CODE 00779	DRAWING NO 1484244
MATERIAL SEE TABLE	FINISH SEE TABLE	APPLICATION SPEC -	RESTRICTED TO -	SCALE 4:1
CUSTOMER DRAWING		WEIGHT -	SHEET 1 OF 1	REV 0