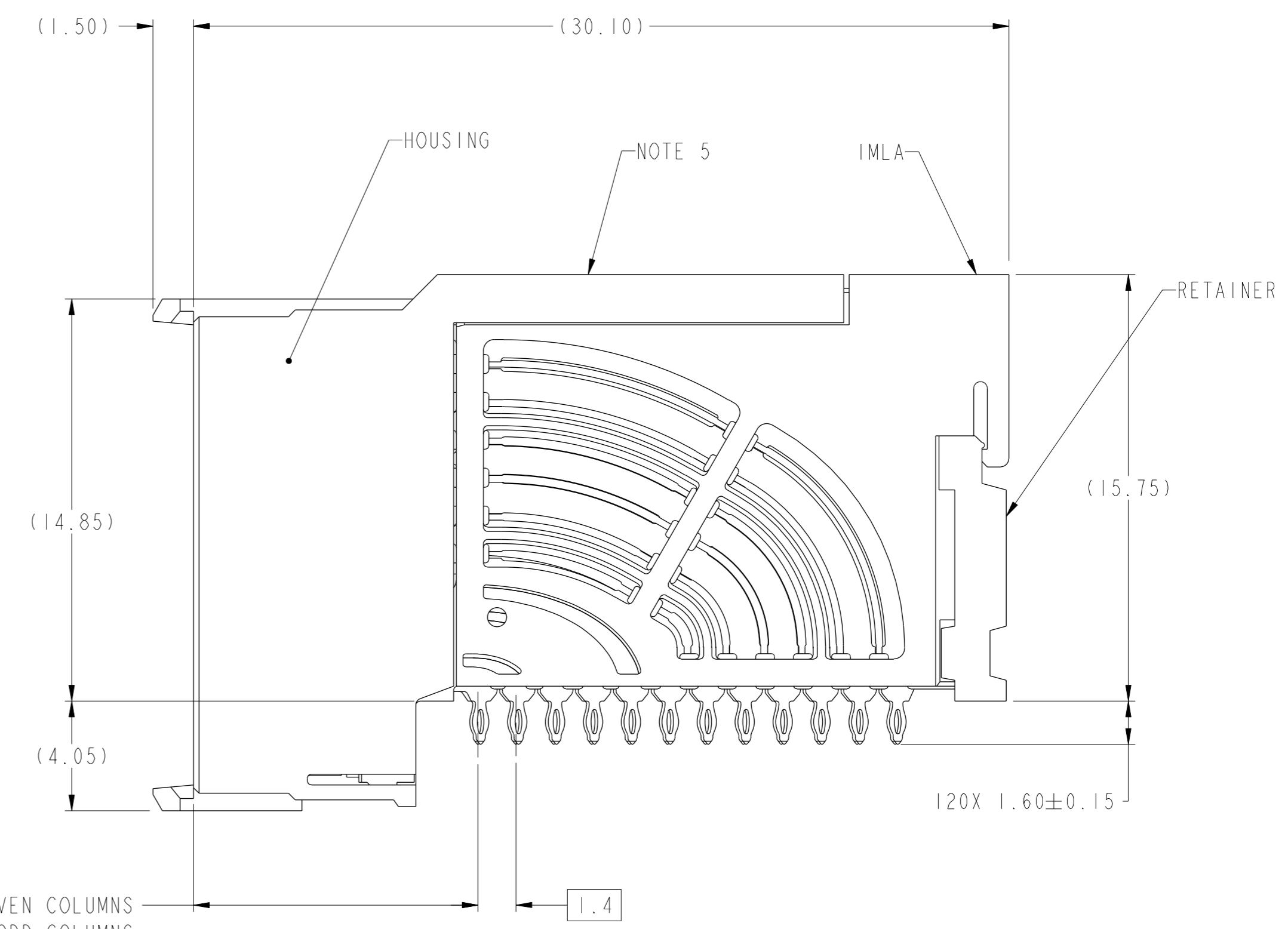
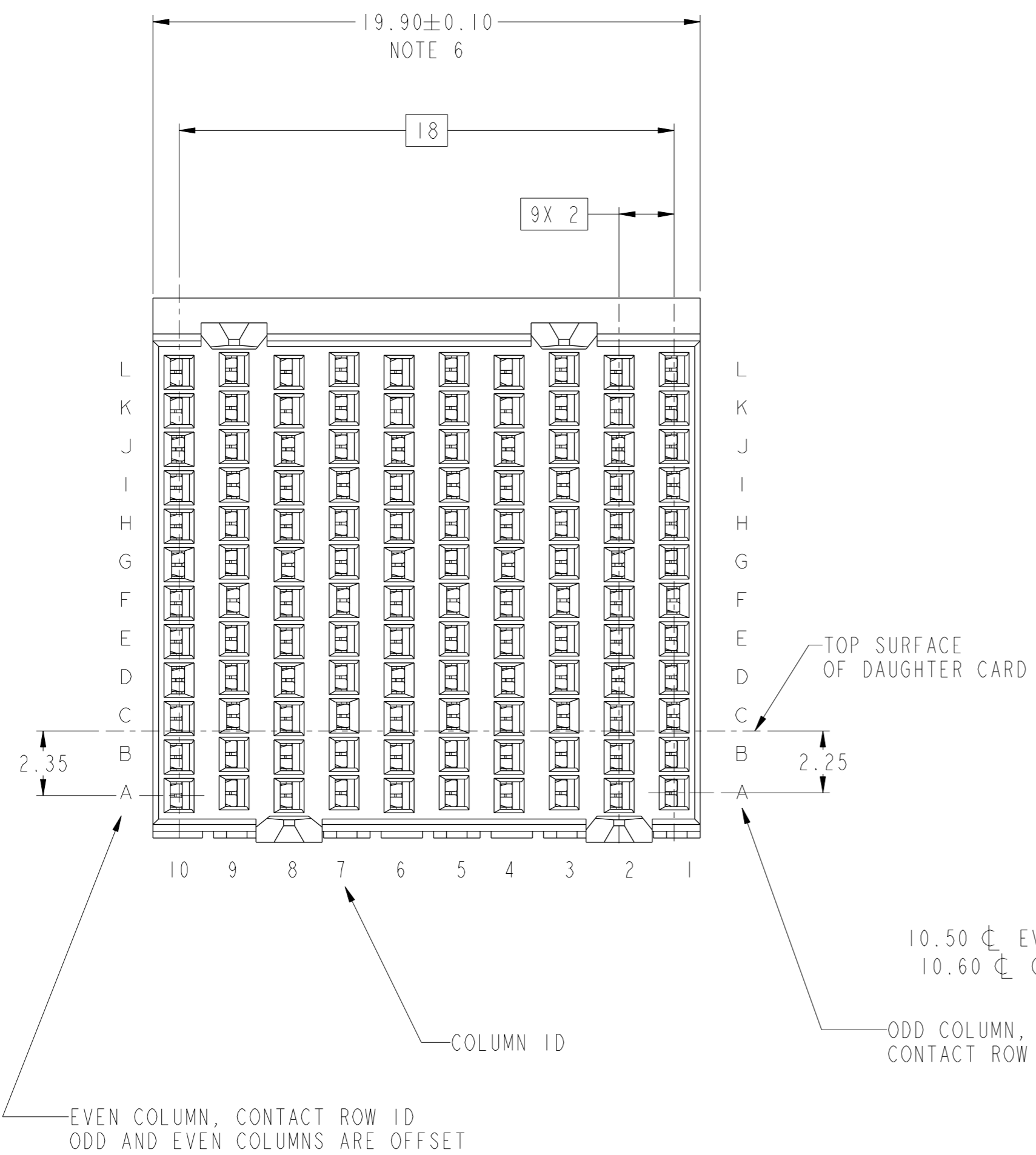
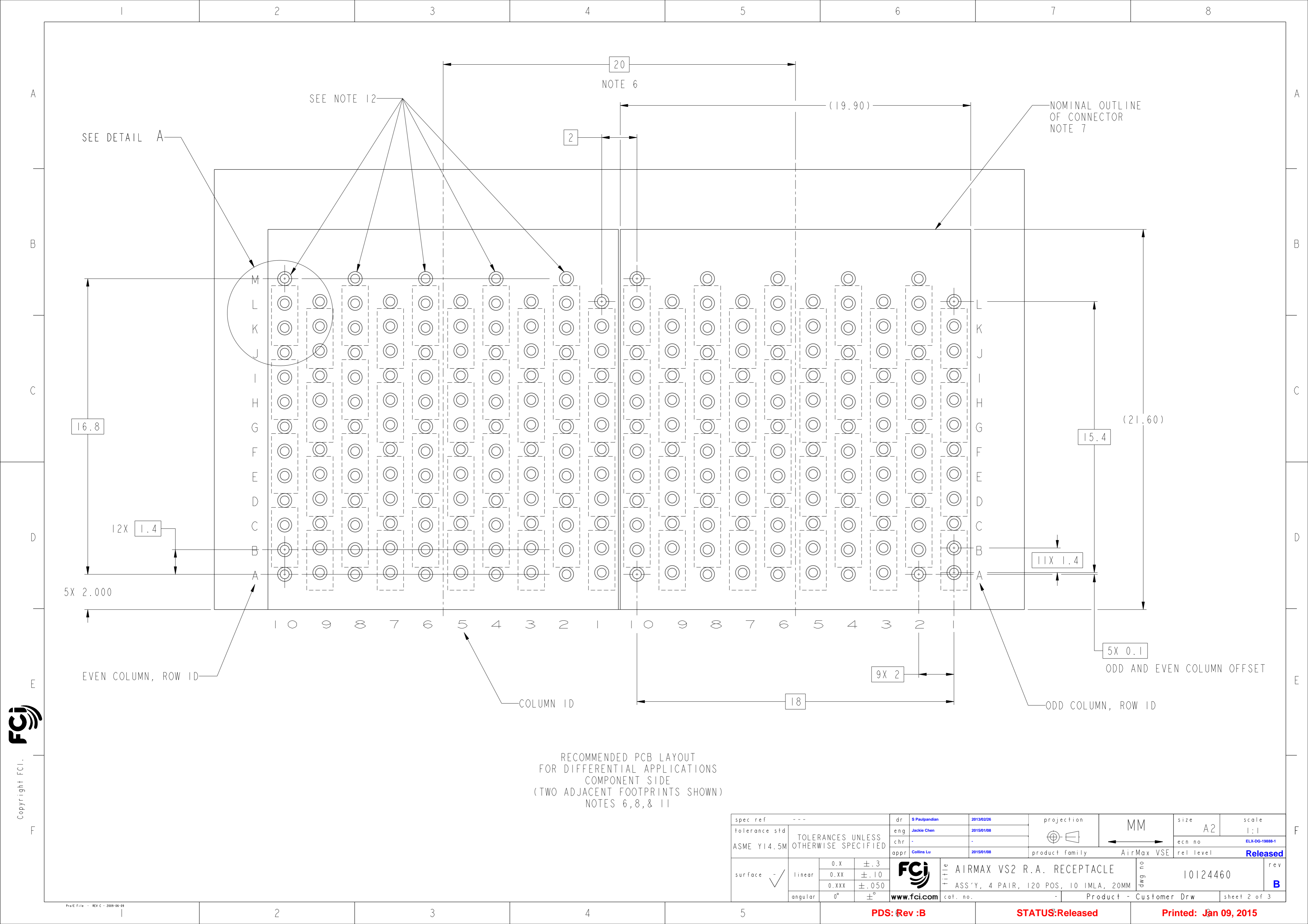


PRODUCT NUMBER
SEE SHEET 3



Copyright FCI.
FCI

spec ref	---	dr	S Paulpandian	2013/02/26	projection	MM	size	A2	scale	1:1										
tolerance std	ASME Y14.5M	eng	Jackie Chen	2015/01/08			ecn no	ELX-DG-19888-1												
TOLERANCES UNLESS OTHERWISE SPECIFIED		chr	-	rel level			Released													
surface	<table border="1"> <tr> <td>linear</td> <td>0.X</td> <td>±.3</td> </tr> <tr> <td></td> <td>0.XX</td> <td>±.10</td> </tr> <tr> <td></td> <td>0.XXX</td> <td>±.050</td> </tr> <tr> <td>angular</td> <td>0°</td> <td>±°</td> </tr> </table>	linear	0.X	±.3				0.XX	±.10		0.XXX	±.050	angular	0°	±°	appr	Collins Lu	2015/01/08	product family	AirMax VSE
linear	0.X	±.3																		
	0.XX	±.10																		
	0.XXX	±.050																		
angular	0°	±°																		
				AIRMAX VS2 R.A. RECEPTACLE ASS'Y, 4 PAIR, 120 POS, 10 IMLA, 20MM		dwg no 10124460	rev B	Product - Customer Drw sheet 1 of 3												



SEE NOTE 12

NOTE 6

NOMINAL OUTLINE OF CONNECTOR NOTE 7

SEE DETAIL A

2

(19.90)

16.8

(21.60)

12X 1.4

11X 1.4

5X 2.000

5X 0.1

ODD AND EVEN COLUMN OFFSET

EVEN COLUMN, ROW ID

COLUMN ID

9X 2

ODD COLUMN, ROW ID

18

RECOMMENDED PCB LAYOUT FOR DIFFERENTIAL APPLICATIONS COMPONENT SIDE (TWO ADJACENT FOOTPRINTS SHOWN) NOTES 6, 8, & 11

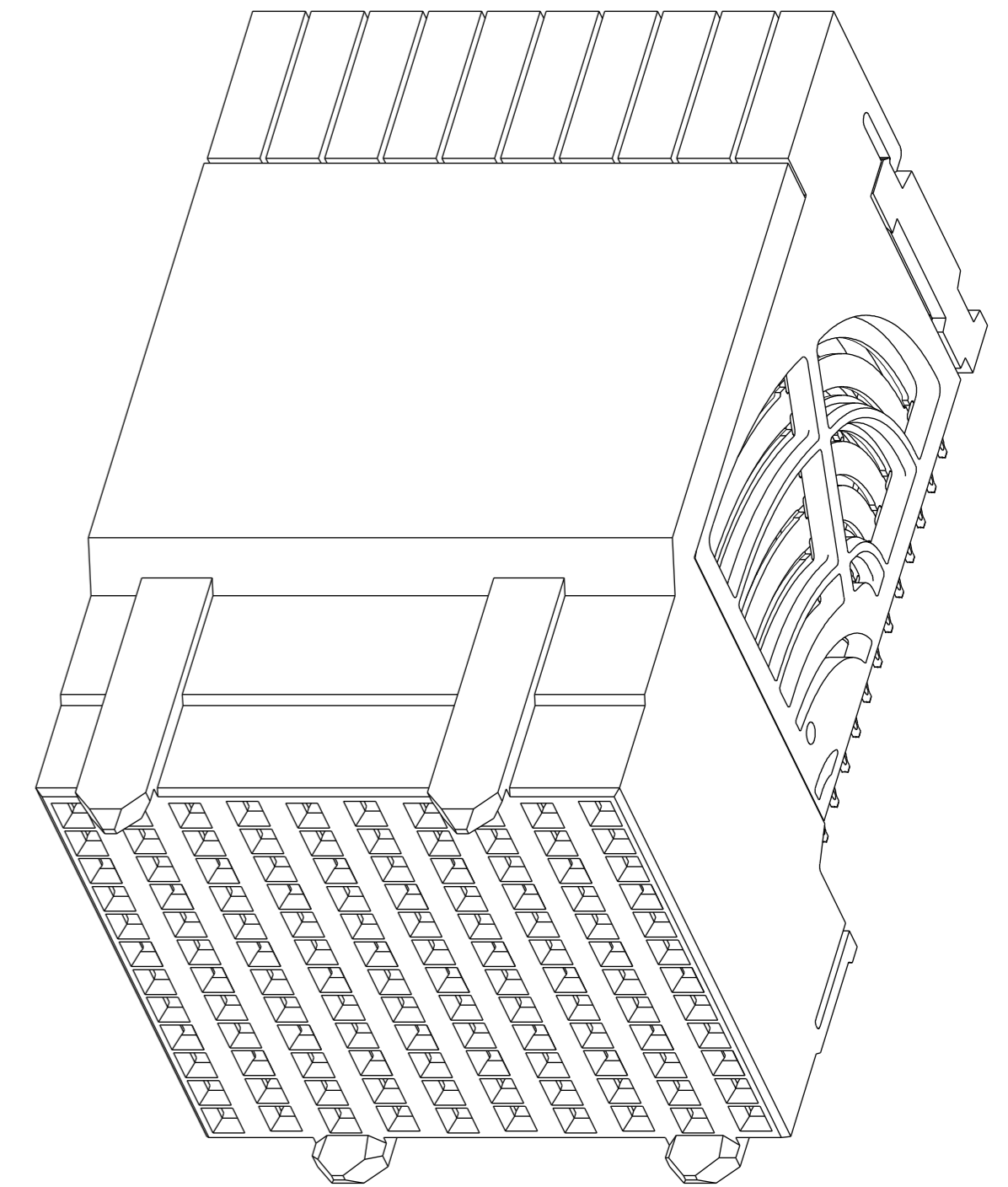
spec ref	---	dr	S Paulpandian	2013/02/26	projection	MM	size	A2	scale	1:1
tolerance std	ASME Y14.5M	eng	Jackie Chen	2015/01/08			ecn no	ELX-DG-19888-1		
TOLERANCES UNLESS OTHERWISE SPECIFIED		chr	-	rel level				Released		
surface	<input checked="" type="checkbox"/> linear	0.X	±.3		product family AirMax VSE	title AIRMAX VS2 R.A. RECEPTACLE ASS'Y, 4 PAIR, 120 POS, 10 IMLA, 20MM	dwg no 10124460	rev B	Product - Customer Drw	
		0.XX	±.10						cat. no.	sheet 2 of 3
		0.XXX	±.050						www.fci.com	
		angular	0°							



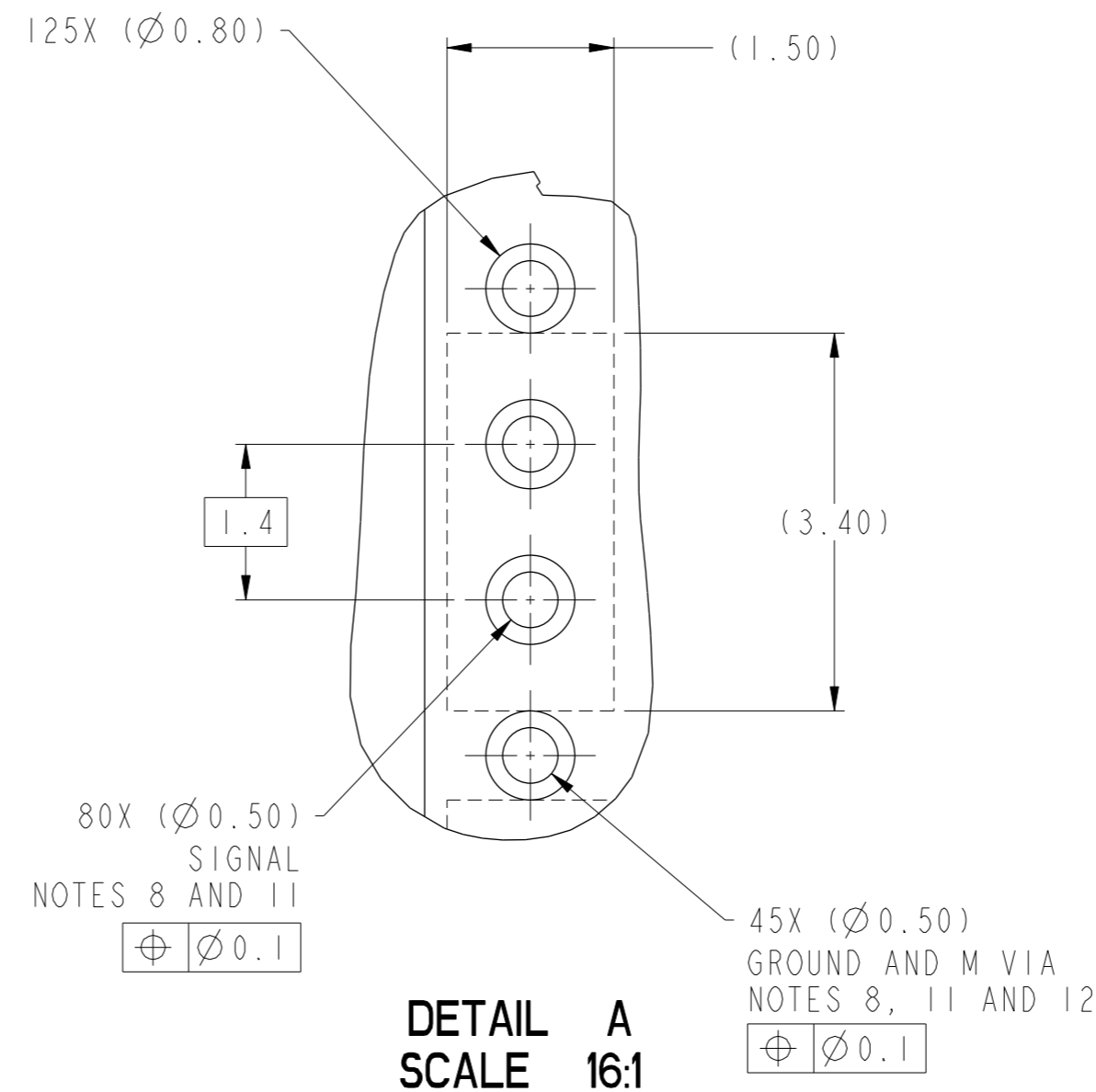
PRODUCT NUMBER	PRESS-FIT TAIL PLATING TYPE
10124460-101	TIN/LEAD ALLOY OVER NICKEL
10124460-101LF	TIN OVER NICKEL (LEAD FREE)

- ① - CONNECTOR MATERIALS:
HOUSING: HIGH TEMP THERMOPLASTIC, NATURAL, UL94-V0
IMLA PLASTIC: HIGH TEMP THERMOPLASTIC, BLACK, UL94-V0
CONTACT: COPPER ALLOY
ORGANIZER: HIGH TEMP THERMOPLASTIC, WHITE, UL94-V0
- 2 - CONTACT PLATING:
SEPARABLE INTERFACE:
PERFORMANCE-BASED PLATING, QUALIFIED TO MEET THE REQUIREMENTS OF FCI PRODUCT SPECIFICATION GS-12-0956 INCLUDING TELCORDIA GR-1217-CORE (NOVEMBER 1995) CENTRAL OFFICE TEST SEQUENCE

PRESS-FIT TAILS: SEE TABLE
- 3 - PRODUCT SPECIFICATION: GS-12-0956
- 4 - APPLICATION SPECIFICATION: GS-20-0305.
- ⑤ - PRODUCT MARKING, (PROTOTYPE, PART NUMBER & LOT CODE), ON THIS SURFACE.
- ⑥ - THE MINIMUM CENTERLINE SPACING BETWEEN ADJACENT MODULES IS 20.0 MM.
- ⑦ - CONNECTOR OUTLINE MAY BE SCREEN PRINTED ONTO CUSTOMER PCB TO BE USED AS A GUIDE FOR MANUAL CONNECTOR PLACEMENT.
- ⑧ - REFER TO CUSTOMER DRAWING 10104444 FOR INFORMATION ON PCB HOLE DIAMETERS AND PLATING OPTIONS
- 9 - LEAD FREE PRODUCT MEETS THE EUROPEAN UNION DIRECTIVES & OTHER COUNTRY REGULATIONS AS DESCRIBED IN GS-22-008
- 10 - PACKAGING MEETS GS-14-920 LEAD FREE LABELING SPECIFICATION.
- ⑪ - GROUND CONTACTS (C,F,I AND L IN ODD COLUMNS AND A,D,G AND J, EVEN COLUMNS) REQUIRE (Ø0.500) FINISHED HOLES. SIGNAL LOCATIONS REQUIRE (Ø0.500) FINISHED HOLES.
- ⑫ - THESE OUTER VIAS (M) ARE OPTIONAL. WHILE NO CONNECTOR EONS ARE PRESSED INTO THESE HOLES, WE RECOMMEND (Ø 0.500) FINISHED HOLES AT THESE LOCATIONS TO PROVIDE GROUND SYMMETRY THROUGH THE PCB



10124460-101 OR -101LF



spec ref	---	dr	S Paulpandian	2013/02/26	projection	MM	size	A2	scale	4:1		
tolerance std	ASME Y14.5M	eng	Jackie Chen	2015/01/08			ecn no	ELX-DG-19888-1				
TOLERANCES UNLESS OTHERWISE SPECIFIED		chr	-	appr			Collins Lu	2015/01/08	product family	rel level	Released	
surface	✓	linear	0.X	±.3		AIRMAX VS2 R.A. RECEPTACLE ASS'Y, 4 PAIR, 120 POS, 10 IMLA, 20MM	dwg no 10124460	rev B	Product - Customer Drw			
		angular	0°	±°					cat. no.	www.fci.com	sheet 3 of 3	
PDS: Rev :B		STATUS:Released		Printed: Jan 09, 2015								

Copyright FCI. FCI