

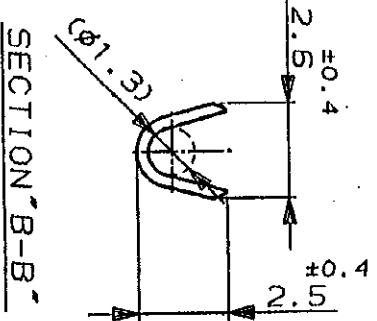
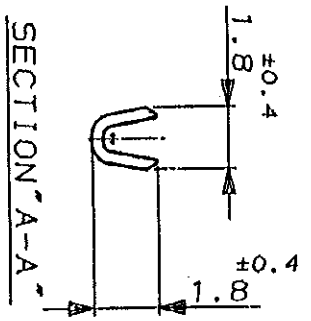
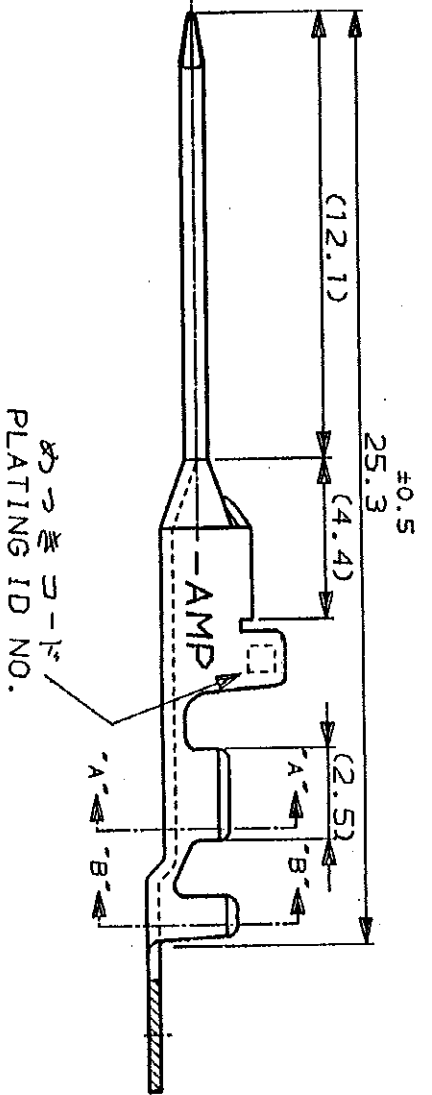
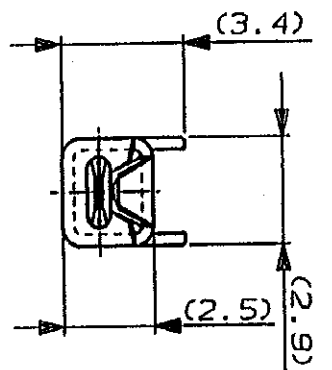
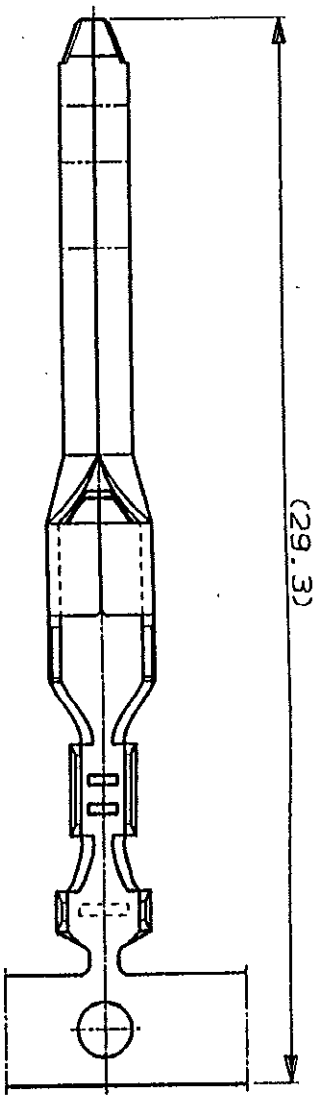
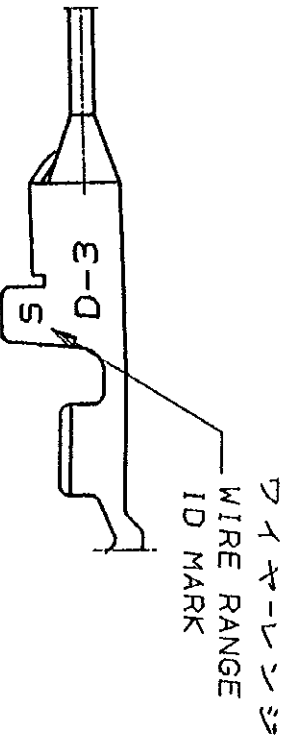
NUMBER  
C-175284

METRIC  
三角法 (3rd ANGLE PROJECTION)

U.855-111>U.DWG>S.C89-25173 WAS 91-25168-2,4,5  
単位: ㎜ DIMENSIONS IN MM. DO NOT SCALE PRINT

PRINT DIST

REV. 10/78



注記

△ 金めっきは接触部のみとする

NOTE

△ GOLD-PL. CONTACT AREA ONLY

LTR	変更 (REVISION RECORD)	DR	CHK	DATE
0	RELEASED (F-1571)	NM	2/11/82	2/11/82

5	光沢鍍めつき (BRIGHT TIN-PL.)	仕上 (FINISH)	型番 (P/N)
3	△ 0.75μm最小金めつき (0.75μmMIN. Au-PL.)		175284-2
2	△ 0.38μm最小金めつき (0.38μmMIN. Au-PL.)		175284-1

Copyright ©1991 AMP (Japan), LTD. ALL RIGHTS RESERVED.

Copyright ©1991 AMP (Japan), LTD. ALL RIGHTS RESERVED.

AWG 28-24 0.8-1.4 mmφ

材料 (CATERIAL) 銅合金 (COPPER ALLOY)

仕上 (FINISH) 参照 (SEE TABLE)

DR. 2 MAR 82 2 MAR 82

CHK. 2 MAR 82 2 MAR 82

APP. S. MAWAJIE

一般公差 (GENERAL TOLERANCES)

寸法 (DIMENSIONS)

10μm ±0.2

100μm ±0.25

1mm ±0.3

尺差 (SCALED) B J

REV. 0

SIZE LOC 番号 (No.) C-175284

SHEET 1 OF 1

(CUSTOMER DRAWING) 参考 面