

ADuCRF101 Evaluation Board User Guide

FEATURES

4-layer PCB (33 mm × 55 mm form factor)

2 power supply options

2.2 V to 3.6 V from an external power supply

5 V from interface/emulator board

Power indicator/general-purpose LEDs

Reset and download push buttons

8-pin connector to the interface/emulator board or to

RS-232 interface cable (top row)

Access to ADuCRF101 pins on the two footprints for through-hole connectors on the edge of the board

32.768 kHz watch crystal footprint

Matching network and SMA connector for wireless communication

EVALUATION KIT CONTENTS

A DVD containing evaluation software, user guides, data sheets, and example code

Antenna

Emulator board (QuickStart and QuickStart Plus kits only)

GENERAL DESCRIPTION

The ADuCRF101 is a fully integrated, data acquisition solution designed for low power wireless applications. It features a 12-bit ADC, a low power ARM Cortex™-M3 processor, a 431 MHz to 464 MHz and 862 MHz to 928 MHz RF transceiver, and Flash/EE memory, in a 9 mm × 9 mm LFCSP package.

EVALUATION BOARD OVERVIEW

The ADuCRF101 mini board allows a user to program, debug, and evaluate the performance of the ADuCRF101. Its small form factor makes it the ideal hardware for evaluation of large wireless sensor networks.

Six kits are available, from a mini board only, to a combination of emulator and boards.

- EV-ADuCRF101MK3Z mini board for 433 MHz operation
- EV-ADuCRF101MK1Z mini board for 868 MHz/915 MHz operation
- EV-ADuCRF101QSP1Z QuickStart Plus for 868 MHz/915 MHz operation
- EV-ADuCRF101QSP3Z QuickStart Plus for 433 MHz operation
- EV-ADuCRF101QS1Z QuickStart for 868 MHz/915 MHz operation
- EV-ADuCRF101QS3Z QuickStart for 433 MHz operation

Figure 1 shows the content of a quick start kit, one mini board with antenna and one emulator.



Figure 1 ADuCRF101 Mini Board and Emulator Board

TABLE OF CONTENTS

Features	1	Power Indicator/General-Purpose LEDs	4
Evaluation Kit Contents.....	1	Crystal Circuits.....	4
General Description	1	Emulator Interface	4
Evaluation Board Overview	1	Reset/Download Push Buttons.....	4
Revision History	2	RS-232 Interface	4
Development Systems Description	3	RF Matching Network	5
Mini Kit.....	3	Sensitivity Measurements.....	5
QuickStart Kit	3	Mini Board Connectors.....	6
QuickStart Plus Kit.....	3	Edge Connectors J1 and J2.....	6
J-Link OB Emulator	3	Emulation and Serial Interface Connector J3.....	6
Mini Board Features.....	4	Mini Board Schematic And Artwork.....	7
Power Supply.....	4	Bill of Materials.....	11

REVISION HISTORY

5/13—Revision 0: Initial Version

DEVELOPMENT SYSTEMS DESCRIPTION

Different systems are available that are optimized for the various types of evaluation requirements.

Table 1 lists the contents available for each type of system.

Table 1. Development Systems Content

Content	Mini Kit (MK)	QuickStart (QS)	QuickStart Plus (QSP)
Mini Board	1	1	2
Antenna	1	1	2
Emulator Board	0	1	1
Battery Holder	0	0	1
DVD	1	1	1

The mini board is optimized for 433 MHz or 868MHz/915MHz operation.

Table 2 lists the models and their optimized communication frequency.

Table 2. Development Systems Models

Model	Description	Frequency
EV-ADuCRF101MK1Z	Mini kit	868 MHz/915 MHz
EV-ADuCRF101MK3Z	Mini kit	433 MHz
EV-ADuCRF101QS1Z	QuickStart	868 MHz/915 MHz
EV-ADuCRF101QS3Z	QuickStart	433 MHz
EV-ADuCRF101QSP1Z	QuickStart Plus	868 MHz/915 MHz
EV-ADuCRF101QSP3Z	QuickStart Plus	433 MHz

MINI KIT

The mini kit evaluation kits contain one mini board, one antenna, and a DVD containing software and documentation. This system can be ordered, in addition to the other development systems, to increase the number of nodes in a wireless sensor network.

The mini kit does not contain an emulator.

QUICKSTART KIT

The QuickStart kit evaluation kits contain one mini board, one antenna, one emulator board, and a DVD containing software and documentation.. This kit is ideal to evaluate the [ADuCRF101](#) as part of an existing wireless system.

QUICKSTART PLUS KIT

The QuickStart Plus evaluation kit contain two mini boards, two antennas, one emulator board, a battery holder, and a DVD containing software and documentation. The QuickStart Plus kit has all the components needed to quickly set up a two-node wireless communication system.

J-LINK OB EMULATOR

The J-Link OB emulator board provides a debug path via serial wire, supply, and UART communication with the [ADuCRF101](#) mini board. Figure 2 shows a top view of the emulator board. The J2 connector plugs into the [ADuCRF101](#) mini board. The J2 connector pinout is shown in Figure 3.

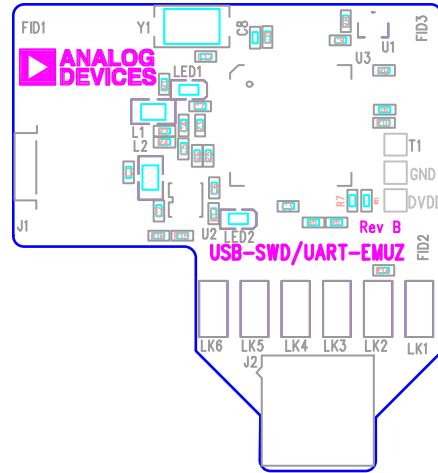
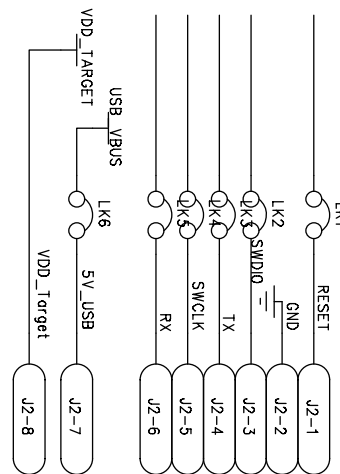


Figure 2. Emulator, Top View



MINIKIT BOARD CONNECTOR

Figure 3. J2 Connector

For downloading and debugging, LK1, LK2, LK4, and LK6 must be inserted. LK3 and LK5 are required to communicate via UART.

When measuring current consumption using an external supply on the [ADuCRF101](#) mini board IOVDD pins, it is recommended that the emulator be disconnected.

MINI BOARD FEATURES

POWER SUPPLY

Two options are available for powering the board.

- Use the emulator board.
The 5 V USB supply on J3.7 is regulated via the linear voltage regulator, U2. The 3.3 V regulator output powers the red power LED, D2. When LK1 is in place, the regulator output is connected back to the emulator board on J3.8. The regulator powers the [ADuCRF101](#) only when LK1 and LK2 are in place on the mini board.
- Apply an external power supply to IOVDD on J1.3.
To measure the [ADuCRF101](#) current consumption only, apply the supply directly to IOVDD. Remove LK1 and LK2, and disconnect the emulator board.
It is also possible to power the device from an external supply at 3.3 V while debugging with the emulator board. Remove LK1 and insert LK2.

Each device supply pin of the [ADuCRF101](#) is decoupled with 0.1 μ F and 100 pF capacitors. A 68 μ F capacitor is used on the supply line for the transceiver.

POWER INDICATOR/GENERAL-PURPOSE LEDES

A power LED (D2) is used to indicate that the interface board is providing the supply to the board. Note that LK1 and LK2 must be inserted for the [ADuCRF101](#) to be powered from the emulator board. A general-purpose LED (D1) is connected to P4.2 of the [ADuCRF101](#). When P4.2 is cleared, the LED is turned on. When P4.2 is set, the LED is turned off.

CRYSTAL CIRCUITS

Footprints for a through-hole 32.768 kHz watch crystal (Y2) and its two capacitors are included on the board. This crystal can be selected by software as the clock source of the wake-up timer.

EMULATOR INTERFACE

Nonintrusive emulation and download are possible on the [ADuCRF101](#) via serial wire by connecting the emulator board to the J3 connector. Only two signals are required for debug purposes: SWDIO and SWCLK. The reset signal is also connected and can be used to provide a reset from the PC, if required.

Other emulators supporting serial wire debug (for example, JLINK Version 6 and higher) can be used. The connections between the mini board and the 20-pin JTAG connector are listed in Table 3.

Table 3. Mini Board/Emulator Connections

Signal	J3 Connector (Mini Board)	20-Pin JTAG Connector (Emulator)
GND	J3.2	Pin 4, Pin 6, Pin 8, Pin 10, Pin 12, Pin 14, Pin 16, Pin 18, Pin 20
VDD	J3.8	Pin 1 and Pin 2
SWDIO	J3.3	Pin 7
SWCLK	J3.5	Pin 9
RESET	J3.1	Pin 15

Note that the internal pull-ups on SWDIO and SWCLK are sufficient, and no external resistors are required.

RESET/DOWNLOAD PUSH BUTTONS

A reset push button is available to allow the user to reset the part manually. When pressed, the reset pin of the [ADuCRF101](#) is pulled to ground. Because the RESET pin on the [ADuCRF101](#) is Schmidt-triggered internally, there is no need to use an external Schmidt trigger on this pin. A second push button, BOOT, is connected to P0.6/IRQ2 and facilitates serial download mode entry.

RS-232 INTERFACE

To interface the [ADuCRF101](#) UART pins to a PC, the USB UART interface on the emulator board is the first option to consider.

The [ADuCRF101](#) P1.0 and P1.1 lines are available on the top row of the J3 connector and can be directly connected to [EVAL-ADUC-CABLE1Z](#), as shown in Figure 4, or similar adaptor that includes an RS-232 interface device providing the required level shifting or a USB UART interface. Supply should be provided on J1.3 (IOVDD) and LK2 inserted when using an RS-232 interface.

To communicate via UART using a UART cable, [EVAL-ADUC-CABLE1Z](#), the supply should be between 3 V and 3.6 V because the cable is operational only in this supply range. The [EVAL-ADUC-CABLE1Z](#) is available for purchase on the Analog Devices, Inc. web site.

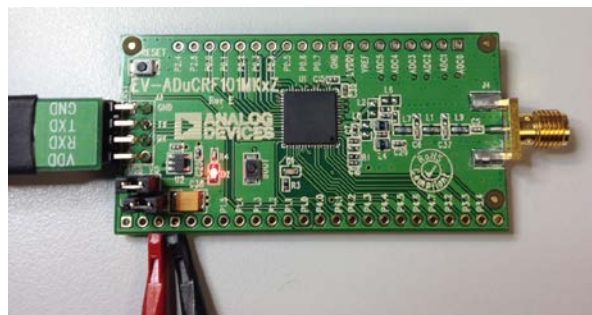


Figure 4. Mini Board Connected to [EVAL-ADUC-CABLE1Z](#)

RF MATCHING NETWORK

An RF matching network is available to match the LNA input impedance and PA output with the 50 Ω SMA connector (J4) for [ADuCRF101](#) at different frequencies depending on the board used.

Different boards are available based on the RF transceiver frequency required. See Table 4 for the relevant model numbers.

Table 4. ADuCRF101 Development Systems Optimized Communication Frequency

Frequency	Topology	Models
868 MHz/915 MHz	Differential PA	EV-ADuCRF101MK1Z EV-ADuCRF101QS1Z EV-ADuCRF101QSP1Z
433 MHz	Differential and single-ended PA	EV-ADuCRF101MK3Z EV-ADuCRF101QS3Z EV-ADuCRF101QSP3Z

The list of components for the different models available is available in Table 8 to Table 12.

The 868 MHz/915 MHz models come with a matching network for differential PA only. The matching network components can be modified to evaluate the single-ended PA. The list of components for single-ended PA operating at 868 MHz/915 MHz is available in Table 13.

The 433 MHz models come preloaded with a combined matching network for both differential and single ended PA operation.

SENSITIVITY MEASUREMENTS

To perform the BER test on the RF transceiver, the internal clock and data signals of the transceiver can be brought to the [ADuCRF101](#) GPIO pins

- The CLOCK signal can be brought out to P0.6.
- The DATA signal can be brought out to P2.6.

MINI BOARD CONNECTORS

EDGE CONNECTORS J1 AND J2

ADuCRF101 signals, such as GPIOs and analog inputs are available on the edge of the board, on two unpopulated through-hole connectors. These two connectors can be used to plug the mini board into a prototype board.

The pinout of the two edge connectors is shown in Table 5 and in Table 6.

Table 5. Pin Functions for Edge Connector J1

Pin Number	Pin Function
J1-1	5VOUT
J1-2	VDDOUT
J1-3	IOVDD
J1-4	GND
J1-5	RESET
J1-6	NC
J1-7	P1.5
J1-8	P1.4
J1-9	P1.3
J1-10	P1.2
J1-11	P1.1
J1-12	P1.0
J1-13	P4.0
J1-14	P4.1
J1-15	P4.2
J1-16	P4.3
J1-17	P4.4
J1-18	P4.5
J1-19	P4.6
J1-20	P4.7
J1-21	P3.2
J1-22	P3.3
J1-23	P3.4
J1-24	P3.5

Table 6. Pin Functions for Edge Connector J2

Pin No.	Pin Function
J2-1	ADC0
J2-2	ADC1
J2-3	ADC2
J2-4	ADC3
J2-5	ADC4
J2-6	ADC5
J2-7	VREF
J2-8	LVDD1
J2-9	GND
J2-10	P0.7
J2-11	P0.6
J2-12	P0.5
J2-13	P0.4
J2-14	P0.3
J2-15	P0.2
J2-16	P0.1
J2-17	P0.0
J2-18	P2.6
J2-19	P2.4

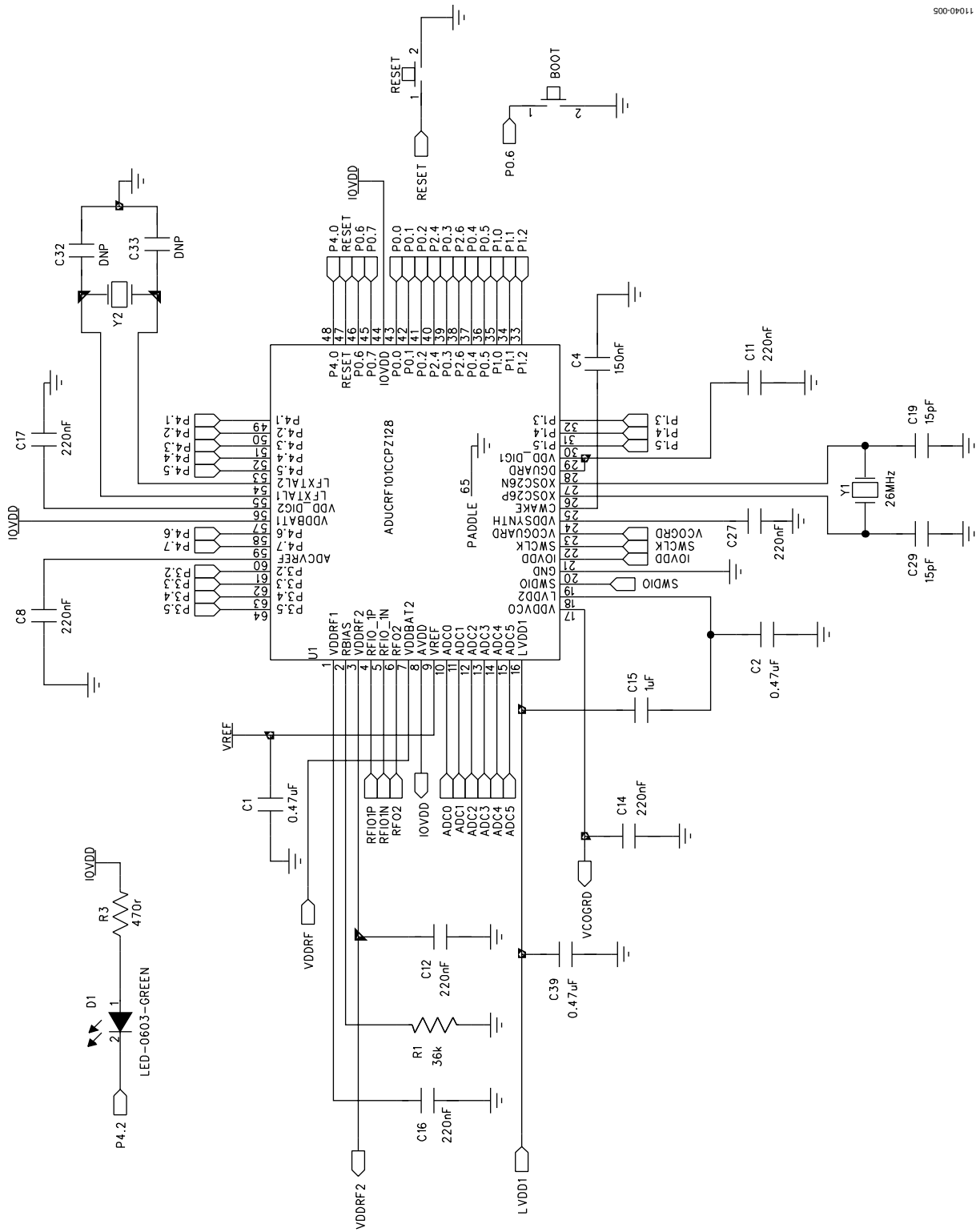
EMULATION AND SERIAL INTERFACE CONNECTOR J3

Connector J3 provides a connection with the emulation board. The pinout for the J3 connector is described in Table 7.

Table 7. Pin Functions for Edge Connector J3

Pin No.	Pin Function
J3-1	RESET
J3-2	GND
J3-3	SWDIO
J3-4	TX
J3-5	SWCLK
J3-6	RX
J3-7	5VUSB
J3-8	VDDOUT

MINI BOARD SCHEMATIC AND ARTWORK



500-P01005

Figure 5. ADuCRF101

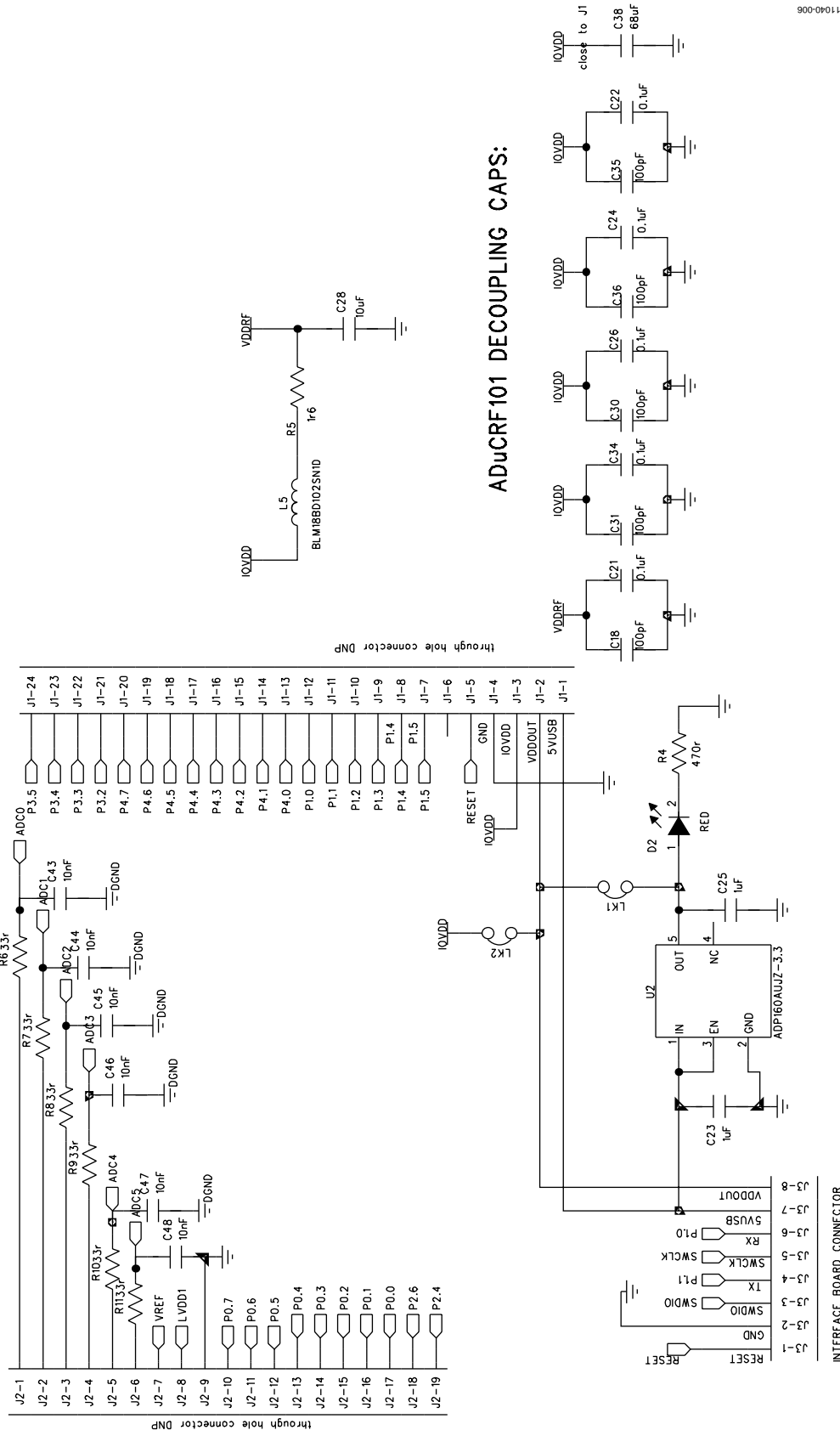


Figure 6. Connectors

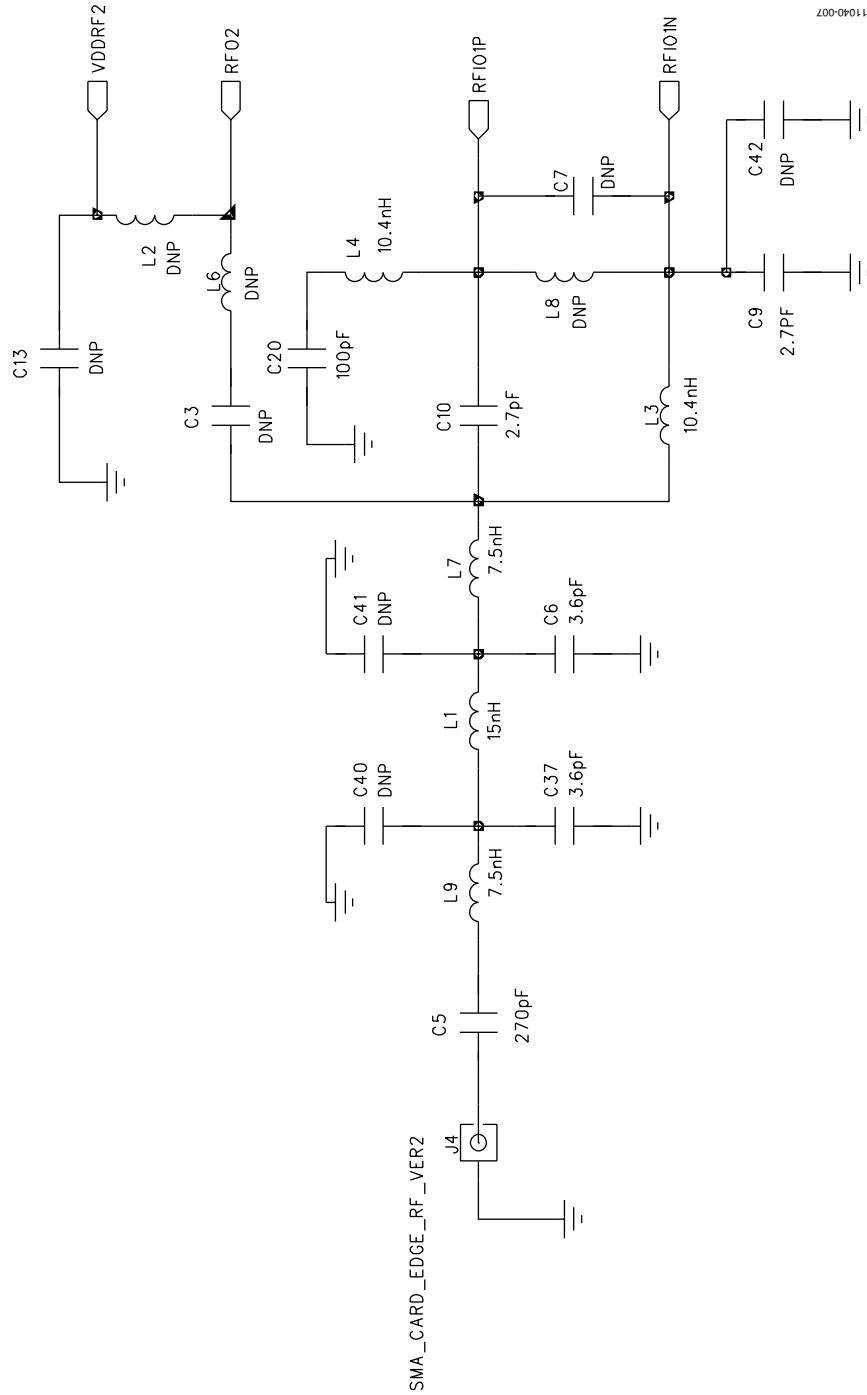


Figure 7. Matching Network Section

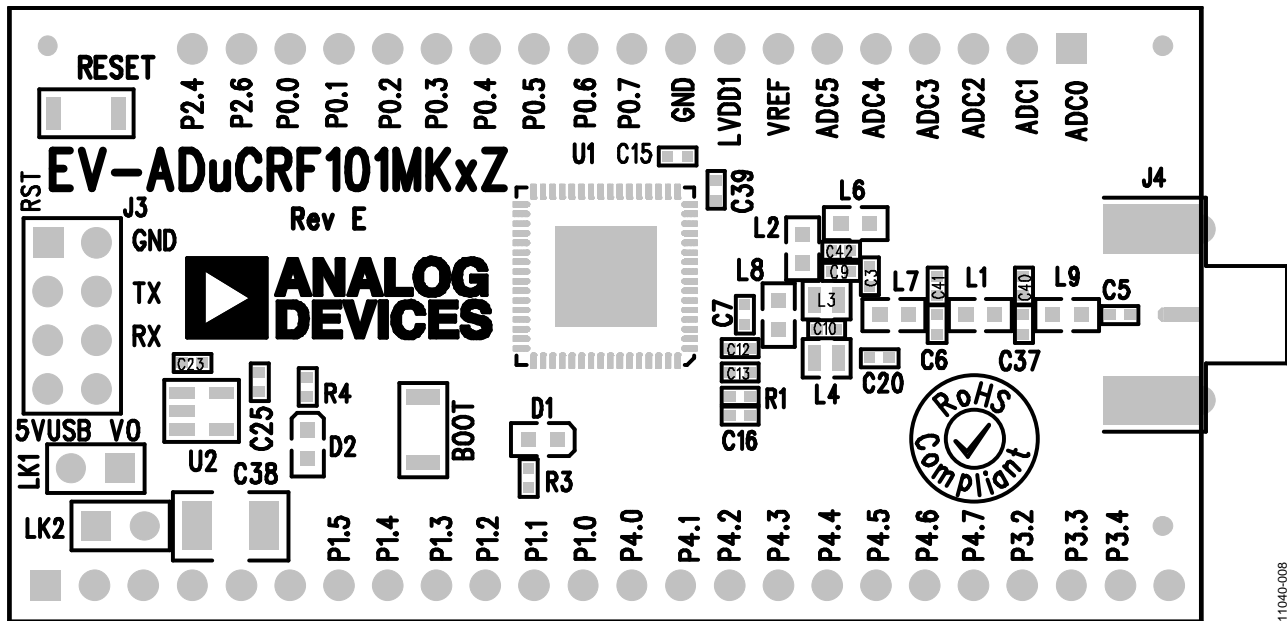


Figure 8. Top Side Silkscreen

11040-008

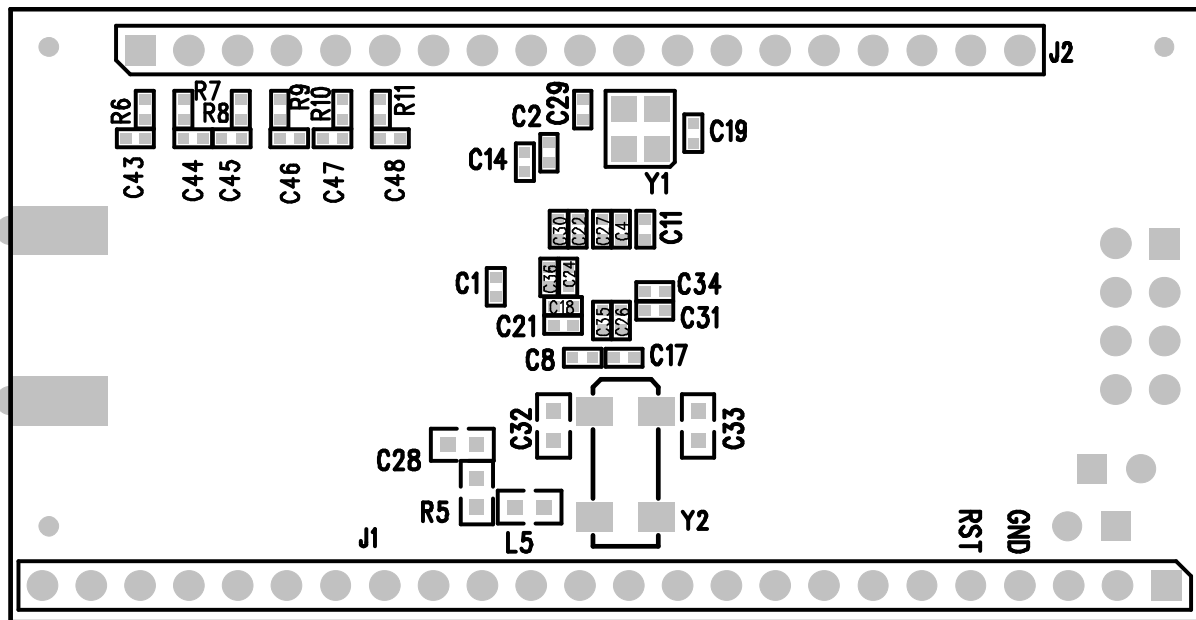


Figure 9. Bottom Side Silkscreen

11040-008

BILL OF MATERIALS

Table 8.

Qty	Component	Description	Order No.	Supplier
1	EV-ADuCRF101MKxZ, Rev. E PCB	Two-sided surface mount PSB-1		Analog Devices
1	U1	Precision analog microcontroller with RF transceiver	ADuCRF101BCPZ128	Analog Devices
1	U2	Low quiescent current, 3.3 V linear regulator	ADP121-AUJZ33R7	Analog Devices
2	Boot, Reset	SMD push button switch	B3U-1000P	Farnell
1	D1	LED, SMD, green	LGQ971	Digi-Key
1	D2	LED, 0603, red	LSQ976-Z	Farnell
3	C1, C2, C39	0.47 μ F capacitor, 16 V, Y5V, ceramic 0402	GRM155F51C474ZA01D	Digi-Key
1	C4	150 nF capacitor, 10%, 10 V, 0402	GRM155R61A154KE19D	Digi-Key
7	C8, C11, C12, C14, C16, C17, C27	220 nF ceramic capacitor, 10 V, X5R	LMK105BJ224KV-F	Digi-Key
5	C18, C30, C31, C35, C36	100 pF capacitor, 5%, 50 V, 0402	GRM1555C1H101JD01D	Farnell
2	C19, C29	15 pF capacitor, 50 V, 5%, C0G, 0402	GRM1555C1H150JZ01D	Digi-Key
5	C21, C22, C24, C26, C34	0.1 μ F ceramic capacitor, 16 V, X7R, 0402	GRM155R71C104KA88D	Digi-Key
3	C15, C23, C25	1 μ F capacitor, 10%, 6.3 V, X5R, 0402	C0402C105K9PACTU	Digi-Key
1	C28	10 μ F ceramic capacitor, 6.3 V, 20%, X5R, 0603	GRM188R60J106ME47D	Digi-Key
2	C32, C33	Not inserted	Not inserted	Not inserted
1	C38	68 μ F tantalum capacitor, 6.3 V, 20%, 1210	TCJB686M006R0070	Digi-Key
6	C43, C44, C45, C46, C47, C48	10 nF ceramic capacitor, 6.3 V, 10%, X7R, 0402	1758885	Farnell
2	J1, J2	Not inserted	Not inserted	Not inserted
1	J3	8-pin R/A header	9-103324-0	Farnell
1	J4	Conn jack end launch PC gold SMA	142-0701-851	Digi-Key
1	L5	Ferrite bead, 600 Ω at 100 MHz	BLM18BD102SN1D	Digi-Key
2	LK1, LK2	2-pin (0.1" pitch) header and shorting shunt	M20-9990246	Farnell
1	R1	36k Ω resistor, 1/16W, 1%, 0402 SMD	RC0402FR-0736KL	Digi-Key
2	R3, R4	470 Ω resistor, 1/16W, 1% 0402 SMD	MCR01MZPF4700	Digi-Key
1	R5	1.6 Ω resistor, 1/10W, 5% 0603 SMD	RC0603JR-071R6L	Digi-Key
6	R6, R7, R8, R9, R10, R11	33 Ω resistor, 1/16W, 1% 0402 SMD	RHM33CECT-ND	Digi-Key
1	Y1	Crystal 26 MHz, 10 pF, 3.2 X 2.5 SMD	NX3225SA-26.000000MHZ-G2	Digi-Key
1	Y2	32 kHz crystal	Not inserted	Not inserted
1	Antenna	433 MHz range antenna	SMAMFDRA433	VW Badland
		868 MHz/915 MHz range antenna	ANT-916-CW-HWR-SMA	Digi-Key

Table 9. Matching Network Bill of Material for MK1 Model (868 MHz/915 MHz Operation, Differential PA)

Qty	Component	Description	Order No.	Supplier
4	C3, C7, C13, C42	Not inserted	Not inserted	Not inserted
2	C9, C10	2.7 pF ceramic capacitor, 50 V, C0G, 0402	GRM1555C1H2R7CZ01D	Digi-Key
1	C20	100 pF capacitor, 5%, 50 V, 0402	GRM1555C1H101JD01D	Farnell
3	L2, L6, L8	Not inserted	Not inserted	Not inserted
2	L3, L4	10.4 nH RF inductor, ceramic core, 5% 0603	0604HQ-10NXJL	Coilcraft

Table 10. Harmonic Filter Bill of Material for MK1 Model (868 MHz/915 MHz Operation, Differential PA)

Qty	Component	Description	Order No.	Supplier
1	C5	270 pF ceramic capacitor, 50 V 5% C0G, 0402	GRM1555C1H271JA01D	Digi-Key
2	C6, C37	3.6 pF ceramic capacitor, 50 V C0G, 0402	GJM1555C1H3R6CB01D	Digi-Key
2	C40, C41	Not inserted	Not inserted	Not inserted
1	L1	15 nH RF inductor, ceramic core, 5% 0603	0603HP-15NXJL	Coilcraft
2	L7, L9	7.5 nH RF inductor, ceramic core, 5% 0603	0603HP-7N5XJL	Coilcraft

Table 11. Matching Network Bill of Material for MK3 Model (433 MHz Operation)

Qty	Component	Description	Order No.	Supplier
1	C3	270 pF capacitor, 5%, 50 V 0402	GRM1555C1H271JA01D	Digi-Key
2	C9, C10	5.6 pF ceramic capacitor, 50 V, C0G, 0402	GRM1555C1H5R6DZ01D	Digi-Key
2	C13, C20	100 pF capacitor, 5%, 50 V, 0402	GRM1555C1H101JD01D	Digi-Key
2	C7, C42	Not inserted	Not inserted	Not inserted
1	L2	100 nH 0603 inductor	0603HP-R10XJL	Coilcraft
1	L8	Not inserted	Not inserted	Not inserted
1	L6	15 nH 0603 inductor	0603HP-15NXJL	Coilcraft
2	L3, L4	27 nH 0603 inductor	0603HP-27NXJL	Coilcraft

Table 12. Harmonic Filter Bill of Material for MK3 Model (433 MHz Operation)

Qty	Component	Description	Order No.	Supplier
1	C5	270 pF ceramic capacitor, 50 V, 5%, C0G 0402	GRM1555C1H271JA01D	Digi-Key
2	C6, C37	8.2 pF ceramic capacitor, 50 V, C0G 0402	GJM1555C1H8R2DB01D	Digi-Key
2	C40, C41	Not inserted	Not inserted	Not inserted
1	L1	30 nH 0603 inductor	0603HP-30NXJL	Coilcraft
2	L7, L9	18 nH 0603 inductor	0603HP-18NXJL	Coilcraft

Table 13. Matching Network Bill of Material for Single-Ended PA Topology at 868 MHz/915 MHz Operation

Qty	Component	Description	Order No.	Supplier
1	C3	150 pF ceramic capacitor, 50V 5% NP0 0402	GCM1555C1H151JA16D	Digi-Key
2	C9, C10	1.5 pF ceramic capacitor, 50 V, C0G 0402	GJM1555C1H1R5CB01	Digi-Key
1	C13	100 pF capacitor, 5%, 50 V 0402	GRM1555C1H101JD01D	Digi-Key
2	C7, C42	Not inserted	Not inserted	Not inserted
1	C20	100 pF capacitor, 5%, 50 V 0402	GRM1555C1H101JD01D	Digi-Key
1	L2	47 nH 0603 inductor	0603HP-47NXJL	Coilcraft
1	L8	Not inserted	Not inserted	Not inserted
1	L6	1.8 nH 0603 inductor	0603HP-1N8XJL	Coilcraft
2	L3, L4	10 nH 0603 inductor	0604HQ-10NXJL	Coilcraft

**ESD Caution**

ESD (electrostatic discharge) sensitive device. Charged devices and circuit boards can discharge without detection. Although this product features patented or proprietary protection circuitry, damage may occur on devices subjected to high energy ESD. Therefore, proper ESD precautions should be taken to avoid performance degradation or loss of functionality.

Legal Terms and Conditions

By using the evaluation board discussed herein (together with any tools, components documentation or support materials, the "Evaluation Board"), you are agreeing to be bound by the terms and conditions set forth below ("Agreement") unless you have purchased the Evaluation Board, in which case the Analog Devices Standard Terms and Conditions of Sale shall govern. Do not use the Evaluation Board until you have read and agreed to the Agreement. Your use of the Evaluation Board shall signify your acceptance of the Agreement. This Agreement is made by and between you ("Customer") and Analog Devices, Inc. ("ADI"), with its principal place of business at One Technology Way, Norwood, MA 02062, USA. Subject to the terms and conditions of the Agreement, ADI hereby grants to Customer a free, limited, personal, temporary, non-exclusive, non-sublicensable, non-transferable license to use the Evaluation Board FOR EVALUATION PURPOSES ONLY. Customer understands and agrees that the Evaluation Board is provided for the sole and exclusive purpose referenced above, and agrees not to use the Evaluation Board for any other purpose. Furthermore, the license granted is expressly made subject to the following additional limitations: Customer shall not (i) rent, lease, display, sell, transfer, assign, sublicense, or distribute the Evaluation Board; and (ii) permit any Third Party to access the Evaluation Board. As used herein, the term "Third Party" includes any entity other than ADI, Customer, their employees, affiliates and in-house consultants. The Evaluation Board is NOT sold to Customer; all rights not expressly granted herein, including ownership of the Evaluation Board, are reserved by ADI. CONFIDENTIALITY. This Agreement and the Evaluation Board shall all be considered the confidential and proprietary information of ADI. Customer may not disclose or transfer any portion of the Evaluation Board to any other party for any reason. Upon discontinuation of use of the Evaluation Board or termination of this Agreement, Customer agrees to promptly return the Evaluation Board to ADI. ADDITIONAL RESTRICTIONS. Customer may not disassemble, decompile or reverse engineer chips on the Evaluation Board. Customer shall inform ADI of any occurred damages or any modifications or alterations it makes to the Evaluation Board, including but not limited to soldering or any other activity that affects the material content of the Evaluation Board. Modifications to the Evaluation Board must comply with applicable law, including but not limited to the RoHS Directive. TERMINATION. ADI may terminate this Agreement at any time upon giving written notice to Customer. Customer agrees to return to ADI the Evaluation Board at that time. LIMITATION OF LIABILITY. THE EVALUATION BOARD PROVIDED HEREUNDER IS PROVIDED "AS IS" AND ADI MAKES NO WARRANTIES OR REPRESENTATIONS OF ANY KIND WITH RESPECT TO IT. ADI SPECIFICALLY DISCLAIMS ANY REPRESENTATIONS, ENDORSEMENTS, GUARANTEES, OR WARRANTIES, EXPRESS OR IMPLIED, RELATED TO THE EVALUATION BOARD INCLUDING, BUT NOT LIMITED TO, THE IMPLIED WARRANTY OF MERCHANTABILITY, TITLE, FITNESS FOR A PARTICULAR PURPOSE OR NON-INFRINGEMENT OF INTELLECTUAL PROPERTY RIGHTS. IN NO EVENT WILL ADI AND ITS LICENSORS BE LIABLE FOR ANY INCIDENTAL, SPECIAL, INDIRECT, OR CONSEQUENTIAL DAMAGES RESULTING FROM CUSTOMER'S POSSESSION OR USE OF THE EVALUATION BOARD, INCLUDING BUT NOT LIMITED TO LOST PROFITS, DELAY COSTS, LABOR COSTS OR LOSS OF GOODWILL. ADI'S TOTAL LIABILITY FROM ANY AND ALL CAUSES SHALL BE LIMITED TO THE AMOUNT OF ONE HUNDRED US DOLLARS (\$100.00). EXPORT. Customer agrees that it will not directly or indirectly export the Evaluation Board to another country, and that it will comply with all applicable United States federal laws and regulations relating to exports. GOVERNING LAW. This Agreement shall be governed by and construed in accordance with the substantive laws of the Commonwealth of Massachusetts (excluding conflict of law rules). Any legal action regarding this Agreement will be heard in the state or federal courts having jurisdiction in Suffolk County, Massachusetts, and Customer hereby submits to the personal jurisdiction and venue of such courts. The United Nations Convention on Contracts for the International Sale of Goods shall not apply to this Agreement and is expressly disclaimed.