

DESCRIPTION: POWER - VERTICAL BOARD - FEMALE - MACHINED

SPECIFICATIONS:

ELECTRICAL:

INSULATOR RESISTANCE: 5 GOHMS Min.
 DIELECTRIC WITHSTANDING: 1,000VAC for 1 MINUTE
 OPERATING TEMPERATURE: -55° C ~ +125° C
 CONTACT RESISTANCE: 1 MOHMS Max.
 POWER PINS: SEE PART No. BELOW

MECHANICAL:

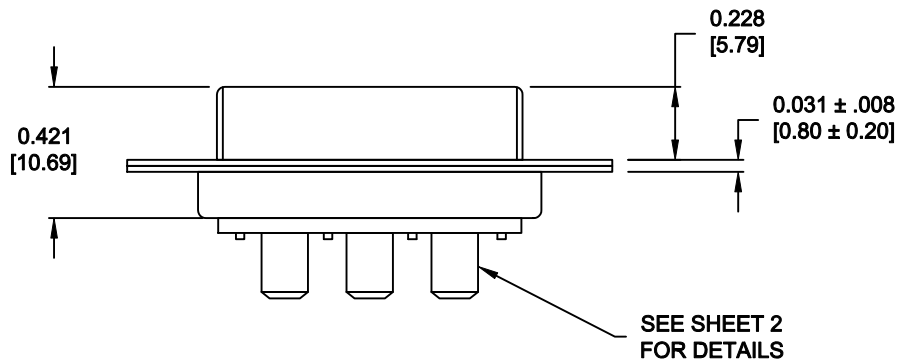
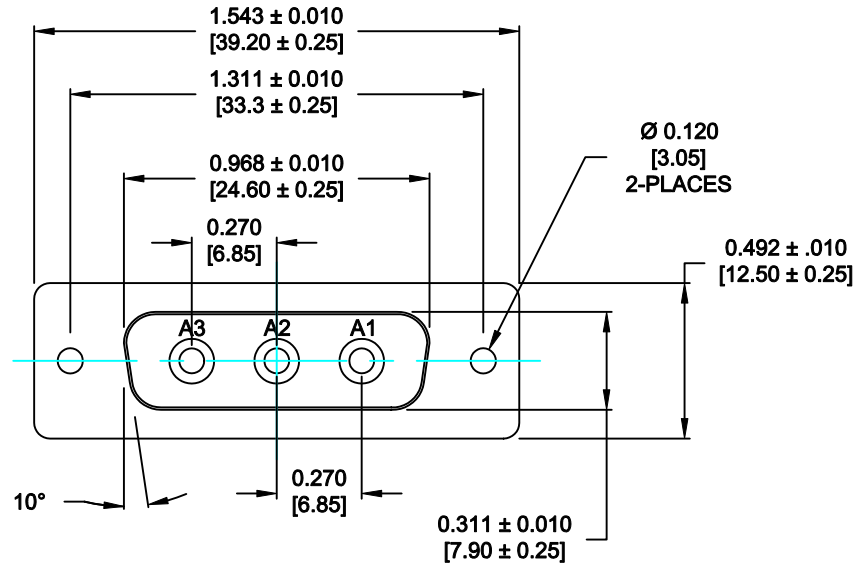
CONTACT INSERTION FORCE: 4.5 Kg Max.
 CONTACT SEPARATOR FORCE: 0.3Kg Min.

MATERIALS:

CONTACTS: COPPER ALLOY
 INSULATOR: PBT UL94V-0 RATED, BLACK
 230°C PROCESS TEMP.
 SHELL: STEEL

FINISH:


SHELL: NICKEL
 CONTACTS: FULL GOLD FLASH



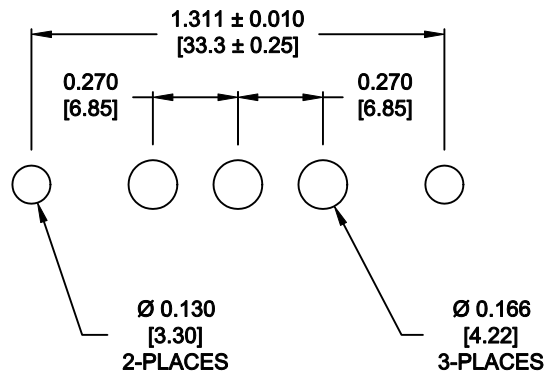
681M3W3203L001

00 = 40 AMPS

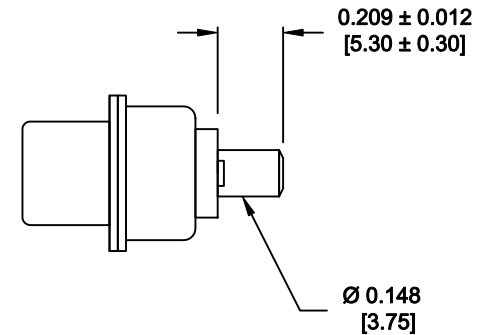
RoHS COMPLIANT

	THESE DRAWINGS AND SPECIFICATIONS ARE THE PROPERTY OF NorComp AND SHALL NOT BE REPRODUCED, COPIED OR USED AS THE BASIS FOR THE MANUFACTURE OF SALE OF APPARATUS WITHOUT WRITTEN PERMISSION.		DRAWN: M. SIGMON	DATE: 07-17-13
			CHECKED: X	DATE: X
<h1>NorComp</h1>		SCALE: N.T.S.	SHEET 1 OF 2	REV 0
		DWG NO. 681M3W3203L001		

NOTE: POWER CONTACTS COME
PRE-LOADED INTO INSULATORS




RECOMMENDED PCB LAYOUT
TOLERANCE ± 0.002 [0.05]



POWER CONTACTS

RoHS COMPLIANT

	THESE DRAWINGS AND SPECIFICATIONS ARE THE PROPERTY OF NorComp AND SHALL NOT BE REPRODUCED, COPIED OR USED AS THE BASIS FOR THE MANUFACTURE OF SALE OF APPARATUS WITHOUT WRITTEN PERMISSION.		DRAWN: M. SIGMON	DATE: 07-17-13
			CHECKED: X	DATE: X
<h1>NorComp</h1>		SCALE: N.T.S.	SHEET 2 OF 2	REV 0
		DWG NO. 681M3W3203L001		