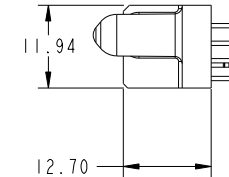
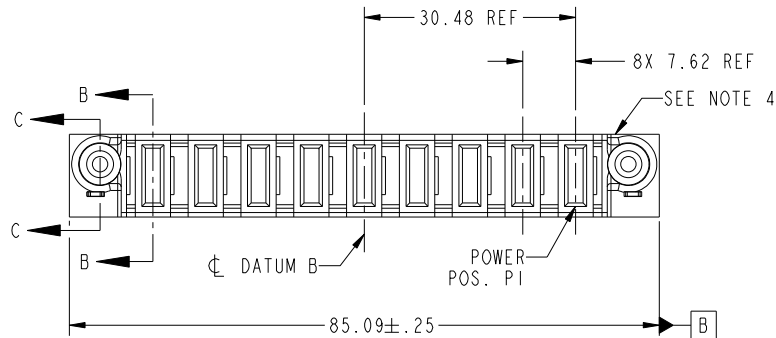


Tous droits strictement reserves. Reproduction ou communication a des tiers interdite sous quelque forme que ce soit sans autorisation écrite du propriétaire. Propriete de c FCI. Droits de reproduction FCI.



All rights strictly reserved. Reproduction or issue to third parties in any form whatever is not permitted without written authority from the proprietor. Property of FCI. Copyright FCI.

|                        |       |    |    |    |    |    |    |    |    |    |    |
|------------------------|-------|----|----|----|----|----|----|----|----|----|----|
| PRODUCT NO.            | POWER |    |    |    |    |    |    |    |    |    | E1 |
|                        | E2    | P9 | P8 | P7 | P6 | P5 | P4 | P3 | P2 | P1 |    |
| 51940-202--<br>NOTE: 3 |       |    |    |    |    |    |    |    |    |    |    |



| CODE | DIM "M" MATING LENGTH | CONTACT TYPE |
|------|-----------------------|--------------|
| PD   | [ 2.34 ]              | POWER        |
| HA   | [ N/A ]               | HOLD-DOWN    |
| PA   | [ 1.07 ]              | POWER        |

|             |                |     |          |          |                      |                                       |  |                     |  |
|-------------|----------------|-----|----------|----------|----------------------|---------------------------------------|--|---------------------|--|
| mat'l code  |                |     |          | SEE NOTE |                      | tolerances unless otherwise specified |  | CUSTOMER            |  |
| ltr         | ecn no.        | dr  | date     | linear   | 0.X ± 0.3            | projection                            |  | COPY                |  |
| A           | DG06-0454      | JMG | 11/03/06 | angles   | 0.XX ± 0.13          | MIM                                   |  | title               |  |
|             |                |     |          |          | 0.XXX ± 0.051        | scale                                 |  | 9ACP                |  |
|             |                |     |          | dr       | 0 ± 2°               | 1:1                                   |  | VERTICAL STB RECEPT |  |
|             |                |     |          | enr      | JM GUO 07/28/06      |                                       |  | product family      |  |
|             |                |     |          | chr      | RYAN YUAN 07/28/06   |                                       |  | PwrBlade            |  |
|             |                |     |          | appd     | Beer Fu 07/28/06     |                                       |  | code                |  |
|             |                |     |          |          | JOSEPH HSIA 07/28/06 |                                       |  | 213                 |  |
| sheet index | revision sheet | A   | A        | A        | A                    |                                       |  | size                |  |
|             |                | 1   | 2        | 3        | 4                    |                                       |  | dwg no              |  |
|             |                |     |          |          |                      |                                       |  | 51940-202           |  |
|             |                |     |          |          |                      |                                       |  | sheet 1 of 4        |  |

**CONFIDENTIAL**

www.fciconnect.com

product family PwrBlade code 213

size dwg no 51940-202 sheet 1 of 4

scale 1:1

cage code 22526

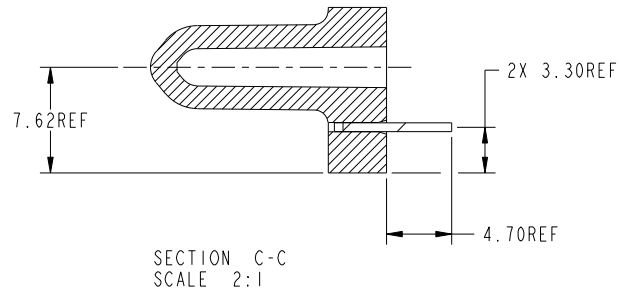
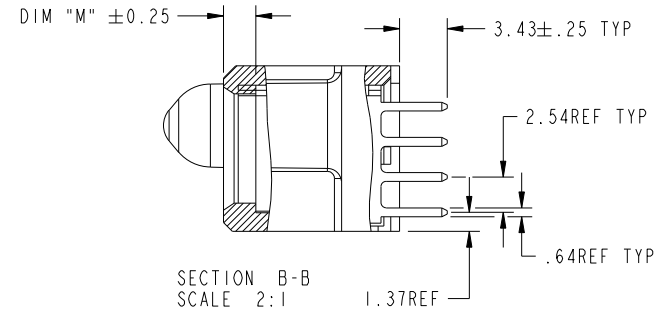
Pro/E

Tous droits strictement reserves. Reproduction ou communication a des tiers interdite sous quelque forme que ce soit sans autorisation ecrite du proprietaire. Propriete de c FCI. Droits de reproduction FCI.



All rights strictly reserved. Reproduction or issue to third parties in any form whatever is not permitted without written authority from the proprietor. Property of FCI. Copyright FCI.

PRODUCT NUMBER  
51940-202\_\_  
NOTE: 3



**CONFIDENTIAL**

|             |                |    |      |          |              |                                       |         |          |   |                                  |           |        |
|-------------|----------------|----|------|----------|--------------|---------------------------------------|---------|----------|---|----------------------------------|-----------|--------|
| mat'l code  |                |    |      | SEE NOTE |              | tolerances unless otherwise specified |         | CUSTOMER |   | <br>www.fciconnect.com           |           |        |
| ltr         | ecn no.        | dr | date | linear   | 0.X ±0.3     |                                       | COPY    |          | <br>title<br>9ACP<br>VERTICAL STB RECEIPT | product family PwrBlade code 213 |           |        |
| A           |                |    |      |          | 0.XX ±0.13   |                                       | <br>MIM |          |   | size                             | dwg no    | sheet  |
|             |                |    |      |          | 0.XXX ±0.051 |                                       | scale   |          |   | A                                | 51940-202 | 2 of 4 |
|             |                |    |      | angles   | 0° ±2°       |                                       |         |          |   |                                  |           |        |
|             |                |    |      | dr       | JM GUO       | 07/28/06                              |         |          |   |                                  |           |        |
|             |                |    |      | enr      | RYAN YUAN    | 07/28/06                              |         |          |   |                                  |           |        |
|             |                |    |      | chr      | Beer Fu      | 07/28/06                              |         |          |   |                                  |           |        |
|             |                |    |      | appd     | JOSEPH HSIA  | 07/28/06                              |         |          |   |                                  |           |        |
| sheet index | revision sheet |    |      |          |              |                                       |         |          |   |                                  |           |        |

cage code 22526

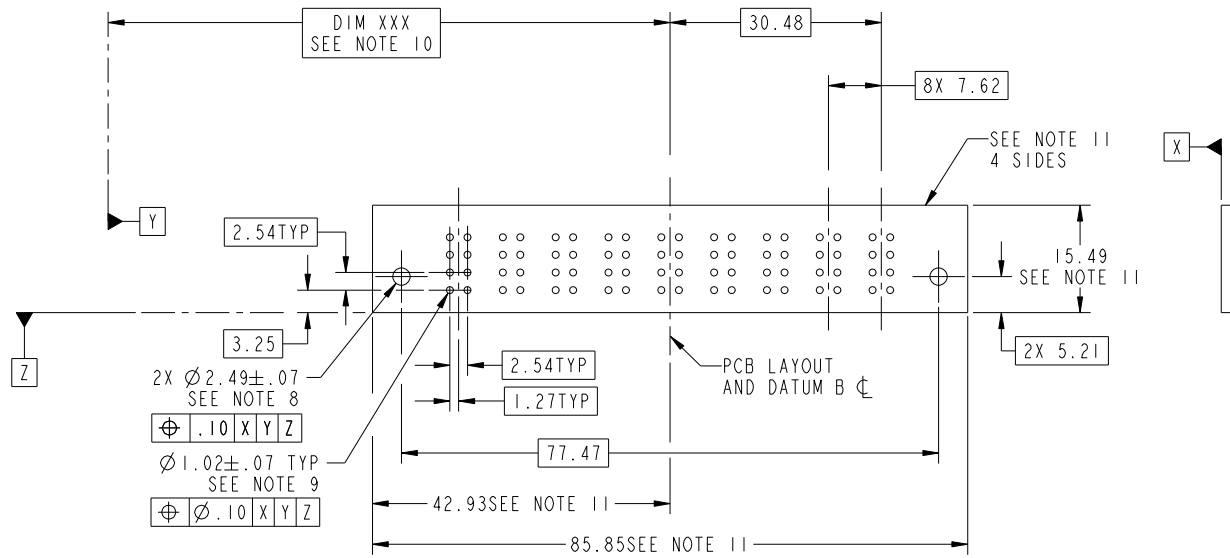
Pro/E

Tous droits strictement reserves. Reproduction ou communication a des tiers interdite sous quelque forme que ce soit sans autorisation ecrite du proprietaire. Propriete de c FCI. Droits de reproduction FCI.

All rights strictly reserved. Reproduction or issue to third parties in any form whatever is not permitted without written authority from the proprietor. Property of FCI. Copyright FCI.



PRODUCT NUMBER  
51940-202\_\_  
NOTE: 3



CONFIDENTIAL

|             |                |    |      |          |                                       |            |                             |          |
|-------------|----------------|----|------|----------|---------------------------------------|------------|-----------------------------|----------|
| mat'l code  |                |    |      | SEE NOTE | tolerances unless otherwise specified | CUSTOMER   | FCI<br>www.fciconnect.com   |          |
| ltr         | ecn no.        | dr | date | linear   | 0.X ± 0.3                             | COPY       | title                       |          |
| A           |                |    |      |          | 0.XX ± 0.13                           | projection | 9ACP<br>VERTICAL STB RECEPT |          |
|             |                |    |      | angles   | 0.XXX ± 0.051                         |            | product family              | PwrBlade |
|             |                |    |      | dr       | 0 ± 2                                 | MIM        | size                        | code     |
|             |                |    |      | enr      | JM GUO 07/28/06                       | ← MIM →    | dwg no                      | 213      |
|             |                |    |      | chr      | RYAN YUAN 07/28/06                    | scale      | 51940-202                   | sheet    |
|             |                |    |      | appd     | Beer Fu 07/28/06                      | 1:1        | 3 of 4                      |          |
|             |                |    |      |          | JOSEPH HSIA 07/28/06                  |            |                             |          |
| sheet index | revision sheet |    |      |          |                                       |            |                             |          |

cage code 22526

Pro/E

Tous droits strictement reserves. Reproduction ou communication a des tiers interdite sous quelque forme que ce soit sans autorisation écrite du propriétaire. Propriete de c FCI. Droits de reproduction FCI.



All rights strictly reserved. Reproduction or issue to third parties in any form whatever is not permitted without written authority from the proprietor. Property of FCI. Copyright FCI.

PRODUCT NUMBER  
51940-202\_\_  
NOTE: 3

NOTES:

1. DIMENSIONS AND TOLERANCES ARE IN ACCORDANCE WITH ASME Y14.5M, 1994 UNLESS OTHERWISE SPECIFIED.

CONNECTOR NOTES:

- ② HOUSING MATERIAL: UL 94 V-0 GLASS FILLED HIGH-TEMP THERMOPLASTIC  
POWER CONTACT MATERIAL: COPPER ALLOY  
SIGNAL PIN MATERIAL: COPPER ALLOY
  - 3. SEE ITEM 5 & 6 IN PRINT 10064183 FOR PLATING SPEC OF 51940-202 AND 51940-202LF RESPECTIVELY.
  - ④ MANUFACTURER'S NAME, P/N, AND DATE CODE TO APPEAR ON THIS SURFACE.
  - 5. PRODUCT SPECIFICATION GS-12-149.  
APPLICATION SPECIFICATION BUS-20-067.
  - 6. PACKAGED IN TRAYS.
- PCB NOTES:
- 7. ALL HOLE DIAMETERS ARE FINISHED HOLE SIZE.

- ⑧ MOUNTING HOLES, WHERE APPLICABLE, ARE UNPLATED.
- ⑨  $\varnothing 1.151 \pm 0.025$  DRILLED HOLES PLATED WITH  
0.008 MIN SnPb OR Sn OVER 0.03  
TO 0.08 Cu PLATING TO ACHIEVE  
 $\varnothing 1.02 \pm .07$  HOLE.
- ⑩ "DIM XXX" TO BE DETERMINED BY THE CUSTOMER.
- ⑪ CONNECTOR KEEP-OUT ZONE.

CONFIDENTIAL

|             |         |                |      |          |                      |                                       |         |          |            |                             |           |                    |        |      |  |
|-------------|---------|----------------|------|----------|----------------------|---------------------------------------|---------|----------|------------|-----------------------------|-----------|--------------------|--------|------|--|
| mat'l code  |         |                |      | SEE NOTE |                      | tolerances unless otherwise specified |         | CUSTOMER |            | FCI                         |           | www.fciconnect.com |        |      |  |
| ltr         | ecn no. | dr             | date | linear   | 0.X ± 0.3            |                                       | COPY    |          | projection | title                       |           |                    |        |      |  |
| A           |         |                |      |          | 0.XX ± 0.13          |                                       | MIM     |          |            | 9ACP<br>VERTICAL STB RECEPT |           |                    |        |      |  |
|             |         |                |      |          | 0.XXX ± 0.051        |                                       | ← MIM → |          |            | product family              |           | PwrBlade           |        | code |  |
|             |         |                |      | angles   | 0° ± 2°              |                                       | scale   |          | size       |                             | dwg no    |                    | sheet  |      |  |
|             |         |                |      | dr       | JM GUO 07/28/06      |                                       | 1:1     |          | A          |                             | 51940-202 |                    | 213    |      |  |
|             |         |                |      | engr     | RYAN YUAN 07/28/06   |                                       |         |          |            |                             |           |                    | 4 of 4 |      |  |
|             |         |                |      | chr      | Beer Fu 07/28/06     |                                       |         |          |            |                             |           |                    |        |      |  |
|             |         |                |      | appd     | JOSEPH HSIA 07/28/06 |                                       |         |          |            |                             |           |                    |        |      |  |
| sheet index |         | revision sheet |      |          |                      |                                       |         |          |            |                             |           |                    |        |      |  |

cage code 22526

Pro/E