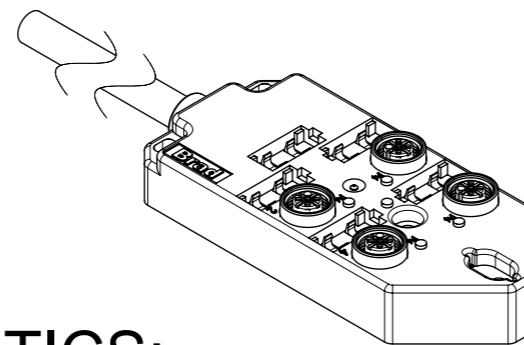
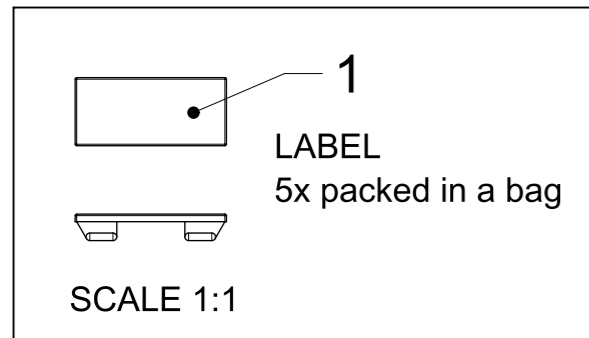
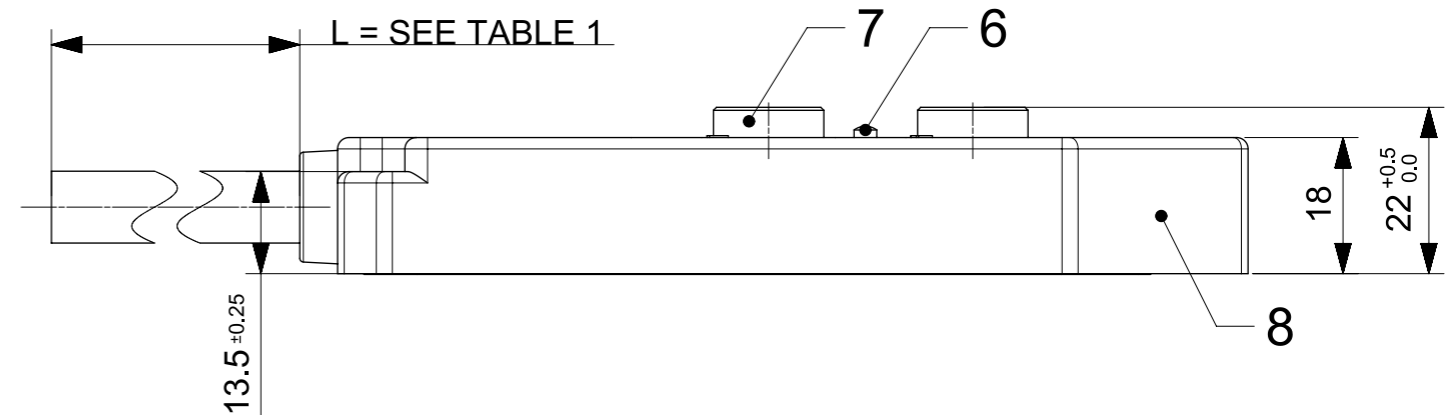
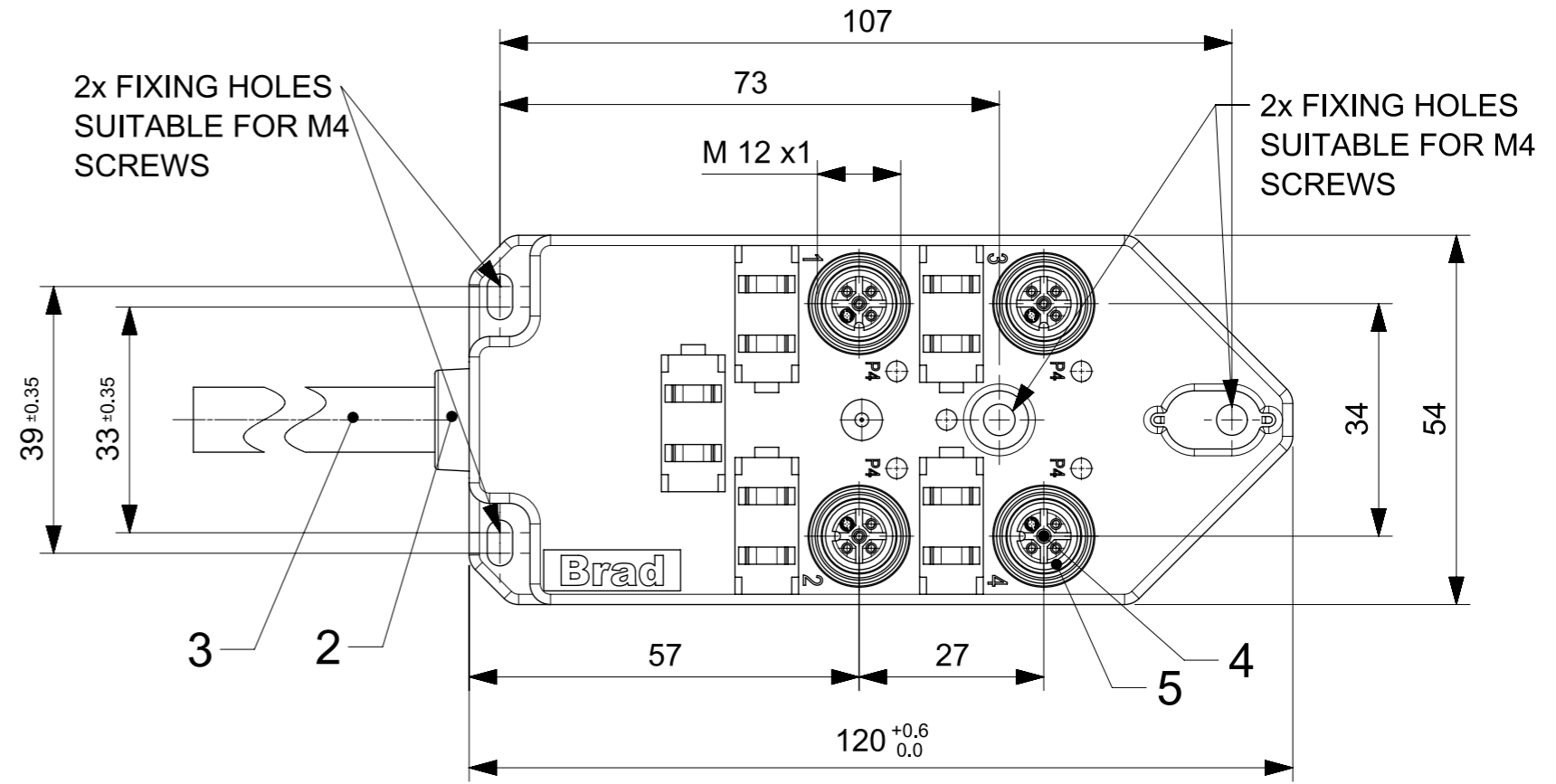


TABLE 1

MOLEX P/N	ENG. NO.	CABLE LENGTH (mm)	LED
1202480001	BTB4000-FBW-05	5000	NO
1202480002	BTB4000-FBW-10	10000	NO
1202480003	BTB4000-FBW-15	15000	NO
1202480004	BTB400P-FBW-05	5000	YES
1202480005	BTB400P-FBW-10	10000	YES
1202480006	BTB400P-FBW-15	15000	YES
1202480007	BTB400N-FBW-05	5000	YES
1202480008	BTB400N-FBW-10	10000	YES
1202480009	BTB400N-FBW-15	15000	YES

TABLE 2 BILL OF MATERIAL

ITEM	DESCRIPTION	MATERIAL	FINISH
1	LABEL	ABS	WHITE
2	CABLE PLATE	PBT	BLACK
3	CABLE	TPU BASED	BLACK
4	CONTACT	BRONZE	GOLD OVER NICKEL
5	O-RING	FPM	RED
6	LED	NO LED = PA	BLACK
		WITH LED = PA	TRANSPARENT
7	SHELL	BRASS	NICKEL PLATED
8	HOUSING	PBT	BLACK



SCALE 1:2

GENERAL CHARACTERISTICS:

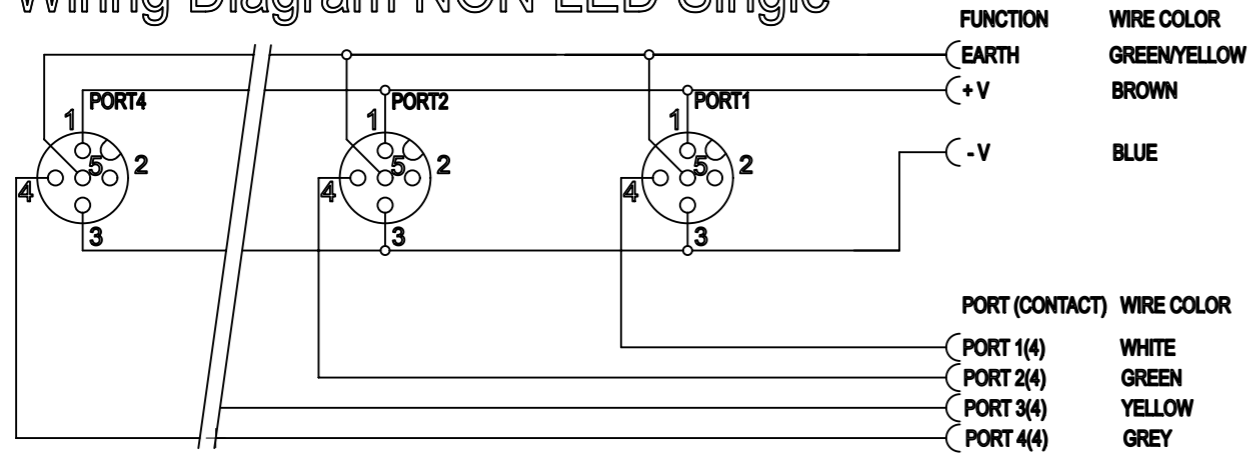
ELECTRICAL AND MECHANICAL DATA ACC. TO IEC 61076-2-101

NOMINAL VOLTAGE: 10-30 V DC
 AMPERE RATING: 4 A PER PORT / 12 A MAX
 AMPERE RATING WITH UL REGISTRATION: 3 A PER PORT / 9 A MAX
 IP DEGREE OF PROTECTION: IP 67
 TEMPERATURE RANGE: -25°C to + 85°C

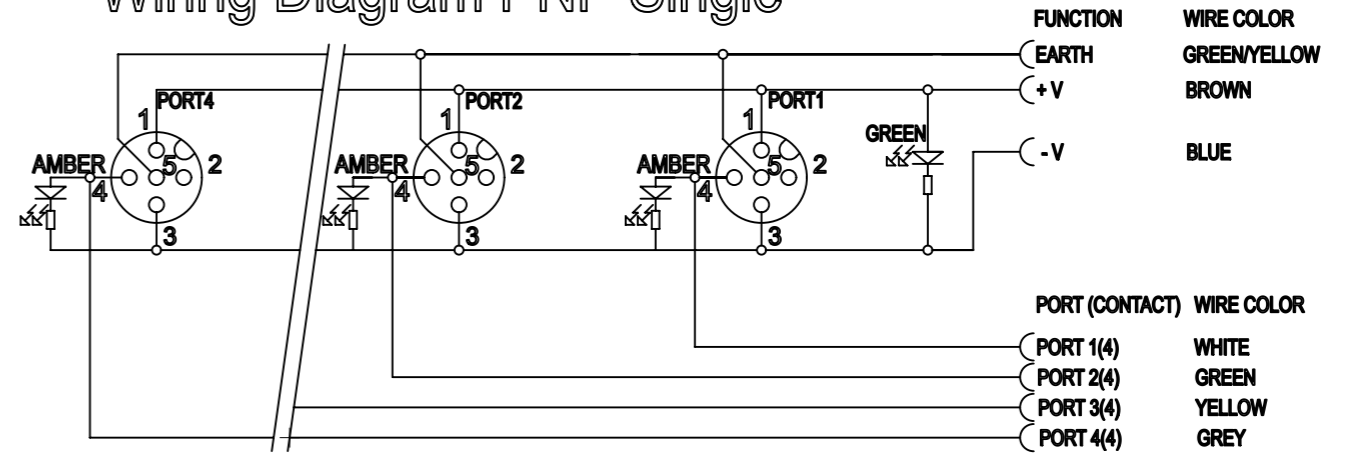
THIS DRAWING CONTAINS INFORMATION THAT IS PROPRIETARY TO MOLEX INCORPORATED AND SHOULD NOT BE USED WITHOUT WRITTEN PERMISSION

EC DESCRIPTION EC NO: 100589 DRWN: AAHLERS CHK'D: APPR: RSILLER REV: A1	2015/06/11 2015/07/02	QUALITY SYMBOLS ▽ = 0 ▽ = 0 ▽ = 0 ▼ = 0 ▽ = 0 ☒ = 0 ■ = 0 ▽ = 0	GENERAL TOLERANCES (UNLESS SPECIFIED) ANGULAR TOL ± ° 4 PLACES ± 3 PLACES ± 2 PLACES ± 1 PLACE ± 0 PLACES ± 0.25 DRAFT WHERE APPLICABLE MUST REMAIN WITHIN DIMENSIONS	DIMENSION UNITS MM DRWN BY AAHLERS CHK'D BY DATE 2015/04/01 APPR BY RSILLER DATE 2015/05/20 DRAWING SIZE A3	SCALE 1:1 THIRD ANGLE PROJECTION	molex MPIS M12 PNP NPN NOS 4P 4PT AC FE STR BK XM STA SINGLE			
	PRODUCT CUSTOMER DRAWING								
	SERIES	MATERIAL NUMBER	CUSTOMER						
	120248	SEE TABLE 1	GENERAL MARKET						
DOCUMENT NUMBER			DOC TYPE	DOC PART	SHEET NUMBER				
1202480001			PSD	000	1 OF 2				

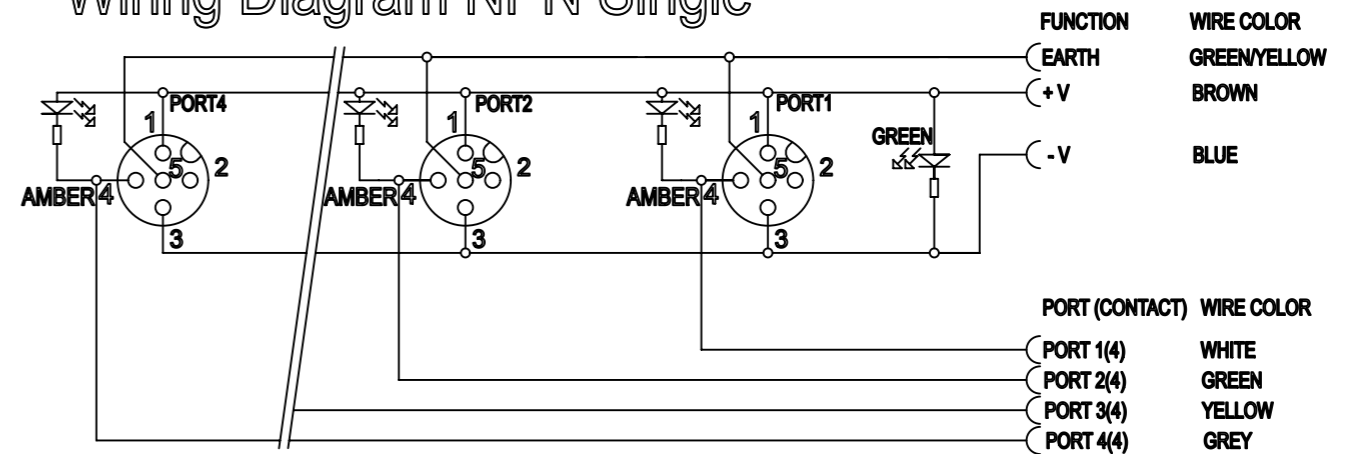
Wiring Diagram NON LED Single



Wiring Diagram PNP Single



Wiring Diagram NPN Single



THIS DRAWING CONTAINS INFORMATION THAT IS PROPRIETARY TO MOLEX INCORPORATED AND SHOULD NOT BE USED WITHOUT WRITTEN PERMISSION											
EC DESCRIPTION EC NO: 100589 DRWN: AAHLERS CHK'D: REV	2015/06/11	RSILLER	2015/07/02	QUALITY SYMBOLS	GENERAL TOLERANCES (UNLESS SPECIFIED)	DIMENSION UNITS	SCALE	 MPIS M12 PNP NPN NOS 4P 4PT AC FE STR BK XM STA SINGLE PRODUCT CUSTOMER DRAWING			
				∇ = 0 ∇ = 0 ∇ = 0 \blacktriangledown = 0 ∇ = 0 \boxtimes = 0 \blacksquare = 0 ∇ = 0		MM	1:1				
				ANGULAR TOL \pm ° 4 PLACES \pm 3 PLACES \pm 2 PLACES \pm 1 PLACE \pm 0 PLACES \pm 0.25		DRWN BY AAHLERS	DATE 2015/04/01				
				DRAFT WHERE APPLICABLE MUST REMAIN WITHIN DIMENSIONS		CHK'D BY	DATE				
A1	REV	RSILLER	2015/05/20			DRAWING SIZE	THIRD ANGLE PROJECTION	SERIES	MATERIAL NUMBER	CUSTOMER	
						A3		120248	SEE TABLE 1	GENERAL MARKET	
								DOCUMENT NUMBER	DOC TYPE	DOC PART	SHEET NUMBER
								1202480001	PSD	000	2 OF 2