

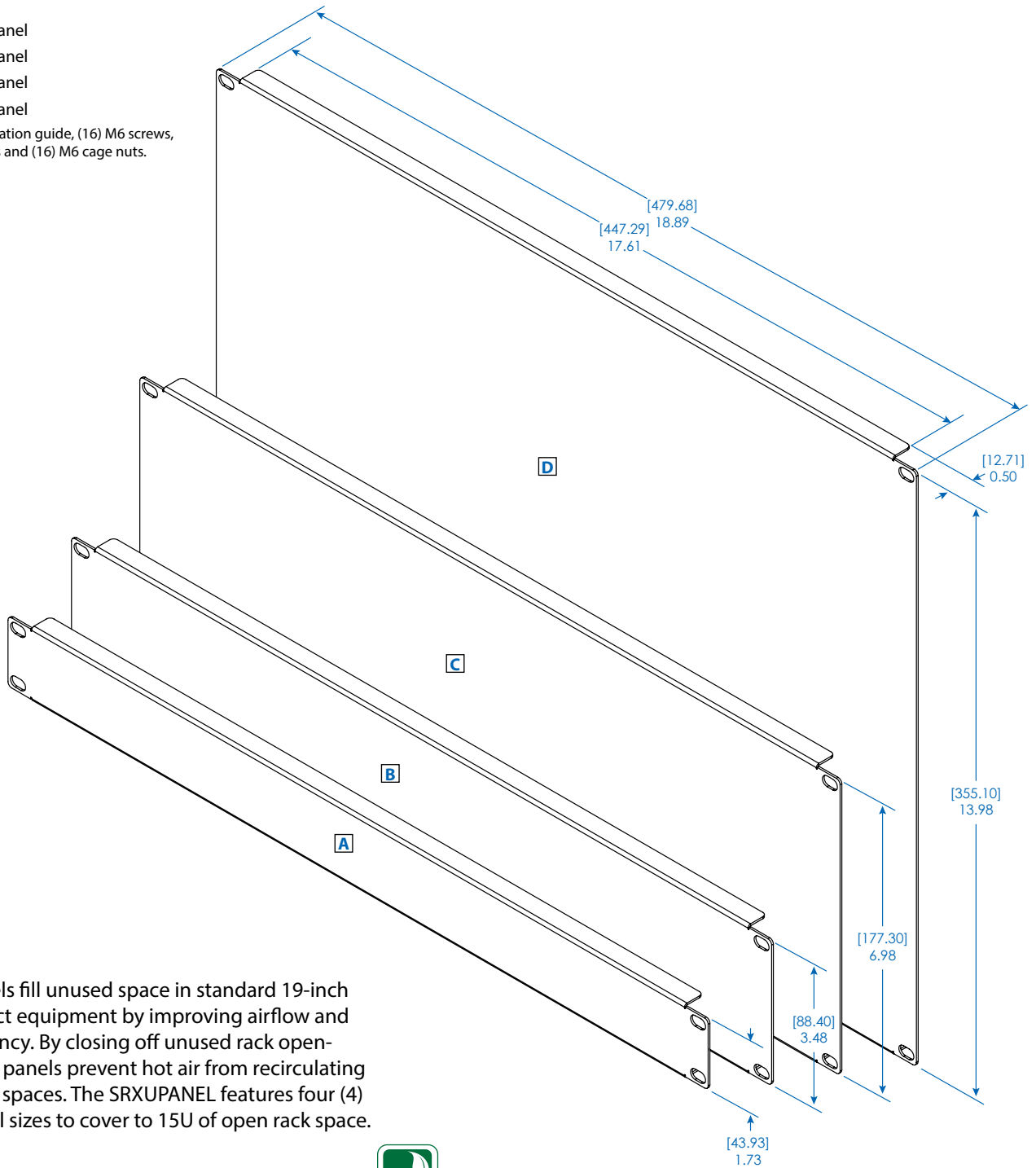
MODEL:

SRXUPANEL

19 in. Blanking Panel Kit, 4 Pieces

- A** 1U Blanking Panel
- B** 2U Blanking Panel
- C** 4U Blanking Panel
- D** 8U Blanking Panel

Also includes: installation guide, (16) M6 screws, (16) M6 cup washers and (16) M6 cage nuts.



Blanking panels fill unused space in standard 19-inch racks to protect equipment by improving airflow and cooling efficiency. By closing off unused rack openings, blanking panels prevent hot air from recirculating through open spaces. The SRXUPANEL features four (4) different panel sizes to cover to 15U of open rack space.



Specifications

| | |
|---------------------|---|
| Model | SRXUPANEL |
| Shipping Dimensions | 18.9 x 14.17 x 1.38 in. / 480 x 360 x 35 mm |
| Shipping Weight | 2.64 lb. / 1.2 kg |

Tripp Lite has a policy of continuous improvement. Specifications are subject to change without notice.

Dimensions: [mm] INCHES



1111 W. 35th Street
Chicago, IL 60609 USA
773.869.1234
www.tripplite.com