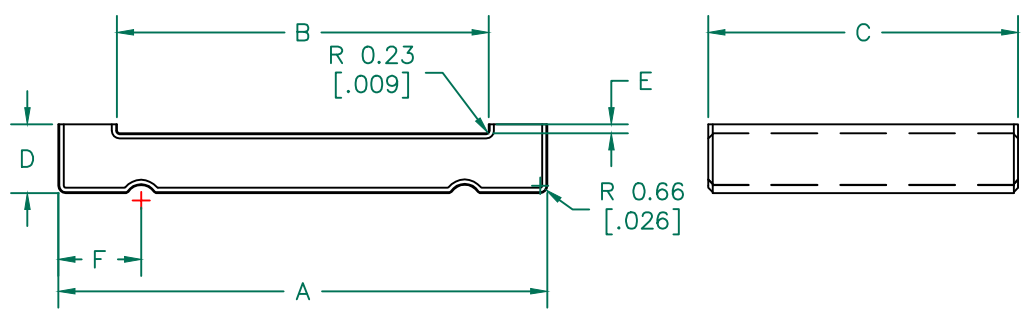


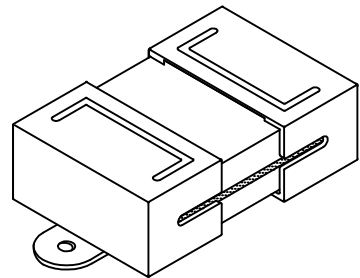
IMPEDANCE ( Z )			
Frequency	25 MHz	100 MHz	300 MHz
Nominal (REF)	100 Ω	250 Ω	550 Ω
Minimum	- Ω	200 Ω	- Ω



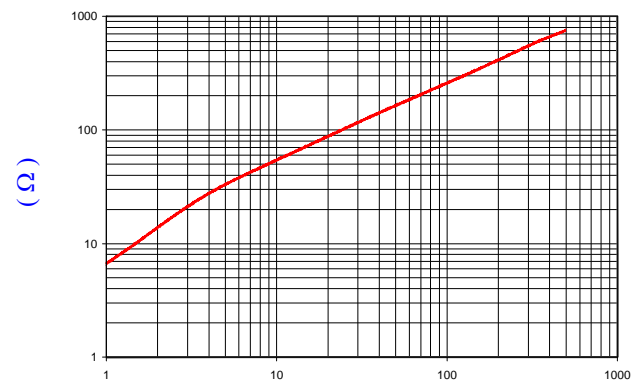
**FERRITE CORE DIMENSIONS:**

A	45.09 [1.775]	+	0.90 [.035]
B	34.42 [1.355]	+	0.64 [.025]
C	28.58 [1.125]	+	0.64 [.025]
D	6.35 [.250]	+	0.25 [.010]
E	0.84 [.033]	+	0.25 [.010]
F	7.62 [.300]	+	-

**UNCONTROLLED DOCUMENT**

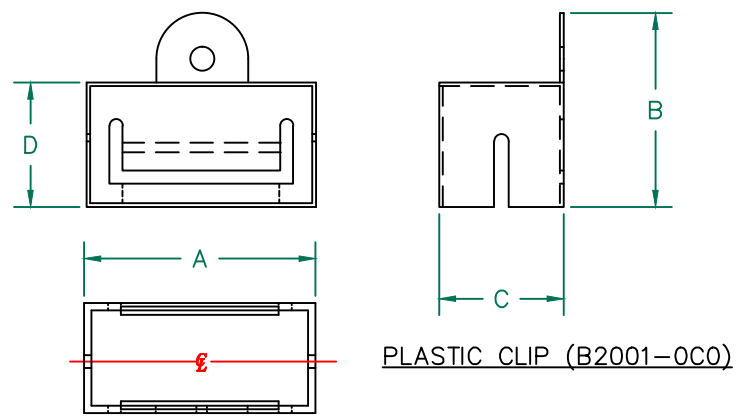


**Z vs. FREQUENCY**  
(REF. ONLY)



**FREQUENCY (MHz)**

AGILENT E4991A Impedance/Material Analyzer  
HP 16092A-Test Fixture



PLASTIC CLIP (B2001-0C0)

**NOTES: UNLESS OTHERWISE SPECIFIED**

1. COSMETIC SPECIFICATION REFER TO WI-QA-038.
2. PLASTIC CLIP B2001-0C0 (WITH TABS) TO BE USED WITH CORE.
3. PLASTIC CLIP SPECIFICATION ASSE 001-2.

**CLIP DIMENSIONS:**

A	31.50 [1.240]	+	0.30 [.012]
B	26.62 [1.048]	+	-
C	15.44 [.608]	+	-
D	16.94 [.667]	+	-

DIMENSIONS ARE IN mm [INCHES].				This print is the property of Laird Tech. and is loaned in confidence subject to return upon request and with the understanding that no copies shall be made without the written consent of Laird Tech. All rights to design or invention are reserved.		<b>Laird</b>		
C	UPDATE COMPANY LOGO	01/07/13	QIU	PROJECT/PART NUMBER:		REV	DRAWN BY:	
B	UPDATE PRINT FORMAT, ADJ DIMS AND TOLS, REV NOTES, ADD CURVE	07/07/03	JRK	28S2022-0P0		C	IS	
A	ORIGINAL DRAFT	02/02/98	IS	DATE:	02/02/98	SCALE:	NTS	
REV	DESCRIPTION	DATE	INT	CAD #	28S2022-0P0-C	TOOL #	S2022	
							MATERIAL:	FERRITE