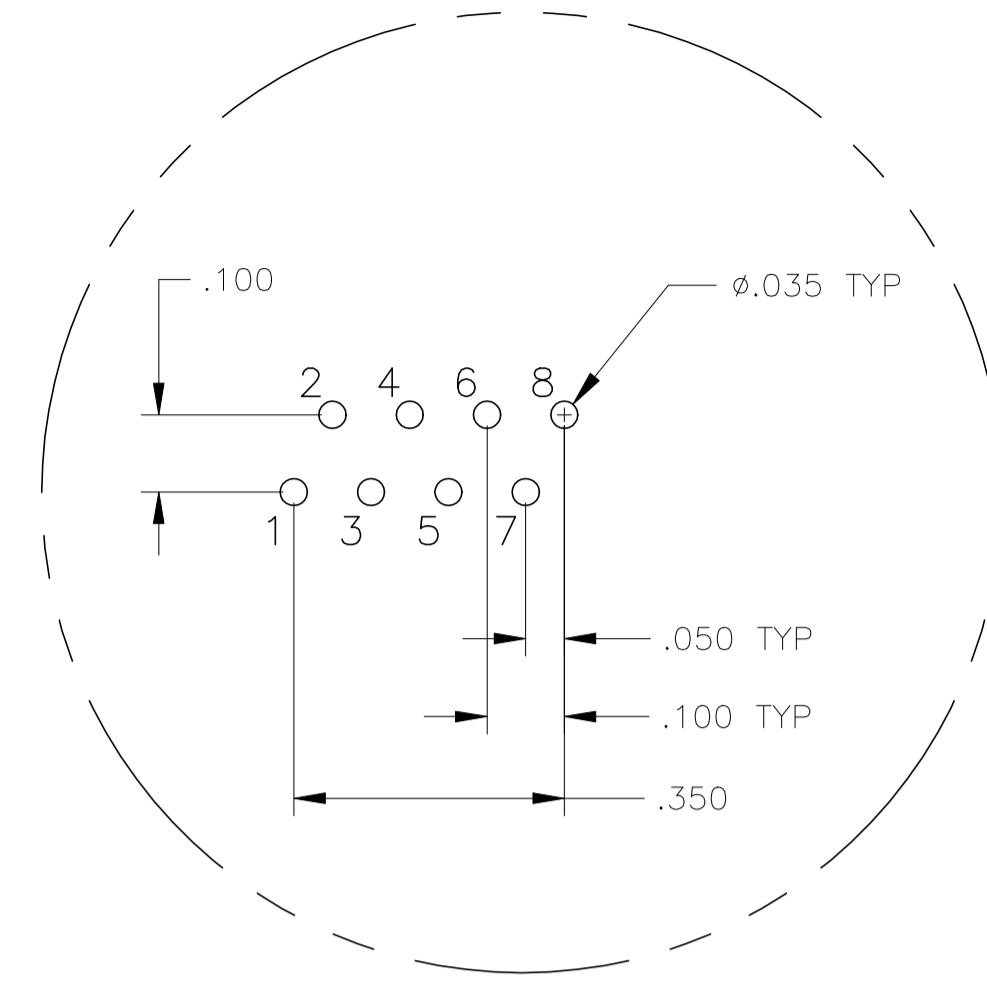
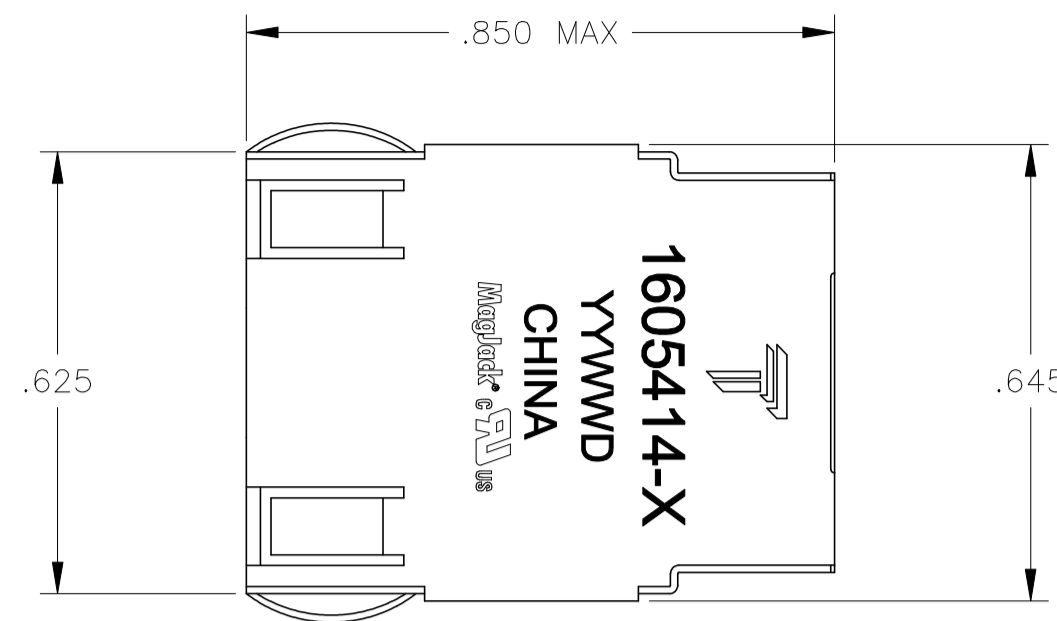


THIS DRAWING AND THE SUBJECT MATTER SHOWN THEREON ARE CONFIDENTIAL AND THE PROPERTY OF BEL/STEWART/TRP CONNECTOR AND SHALL NOT BE REPRODUCED, COPIED, OR USED IN ANY MANNER WITHOUT THE WRITTEN CONSENT OF TRP CONNECTOR.

PRODUCT MAY BE PROTECTED BY ONE OR MORE OF THE FOLLOWING US PATENTS:
 5736910 5939955 6425781 6428361 6554638 6840817 7123117
 7429195 7717749 7808751 6217391 6149050 7924130

REVISIONS				
P	REV	DESCRIPTION	DATE	APP'D
G		EC-1411035 COMPANY LOGO CHANGE	07JAN2015	TL KZ

MECHANICAL:



Pin Designations

MATERIALS:
 HOUSING - THERMOPLASTIC PET POLYESTER FLAMMABILITY RATING UL 94 V-0.
 SHIELD - .010" THICK, C26800 BRASS PREPLATED WITH 80-150µinch SEMI-BRIGHT NICKEL; POST-DIPPED WITH 100µinch MIN TIN-LEAD.
 MOD JACK CONTACTS - .0157" x .018" THICK, PHOSPHOR BRONZE, 50µinch MIN OVERALL NICKEL UNDERPLATE, WITH SELECT 50µinch MIN HARD GOLD FINISH PLATE. SOLDER TAILS WITH 50µinch MIN TIN-LEAD FINISH PLATE.
 LIGHT EMITTING DIODE(LED) - DIFFUSED EPOXY LENS, .020" x .020" CARBON STEEL WIREFRAME LEADS PREPLATED WITH 90µinch SILVER OVER 40µinch NICKEL UNDERPLATE OVER 80µinch COPPER UNDERPLATE, POST-PLATED WITH 300µinch THICK TIN-LEAD.

RJ45 JACK CAVITY CONFORMS TO FCC RULES AND REGULATIONS PART 68, SUB PART F.
MAGNETICS:
 -IMPEDANCE: 100 OHMS
 -TRANSMIT OPEN CIRCUIT INDUCTANCE (OCL): 350µH (MIN) @100KHZ, 0.1VRMS WITH 8 mA DC BIAS FOR EACH TRANSFORMER OVER T = 0° - +70°C.
 -RISE TIME: 2.5 NANO-SECONDS FROM 10 TO 90 PERCENT.
 -TURNS RATIO (CHIP: CABLE): TX: 1:1, RX: 1:1
PERFORMANCE:
 -TRANSMIT RJ1 & 2.
 -RECEIVE RJ3 & 6.

FREQUENCY	*INSERTION LOSS	CROSSTALK ATTENUATION	COMMON MODE REJECTION RATIO	
			TX	RX
.100 MHZ-.999 MHZ	1.0 dB(MAX)	43.0 dB(MIN)	46.0 dB(MIN)	35.0 dB(MIN)
1.0 MHZ-15.0 MHZ	0.3 dB(MAX)	43.0 dB(MIN)	46.0 dB(MIN)	35.0 dB(MIN)
15.1 MHZ-60.0 MHZ	0.6 dB(MAX)	43.0 dB(MIN)	46.0 dB(MIN)	35.0 dB(MIN)
60.1 MHZ-80.0 MHZ	1.1 dB(MAX)	38.0 dB(MIN)	42.0 dB(MIN)	33.0 dB(MIN)
80.1 MHZ-100.0 MHZ	1.1 dB(MAX)	38.0 dB(MIN)	42.0 dB(MIN)	33.0 dB(MIN)

ALL MAGNETIC ELECTRICAL CHARACTERISTICS RATED @ T=25° C
 *INDICATED INSERTION LOSS REFERS TO MAGNETIC CIRCUITRY ONLY

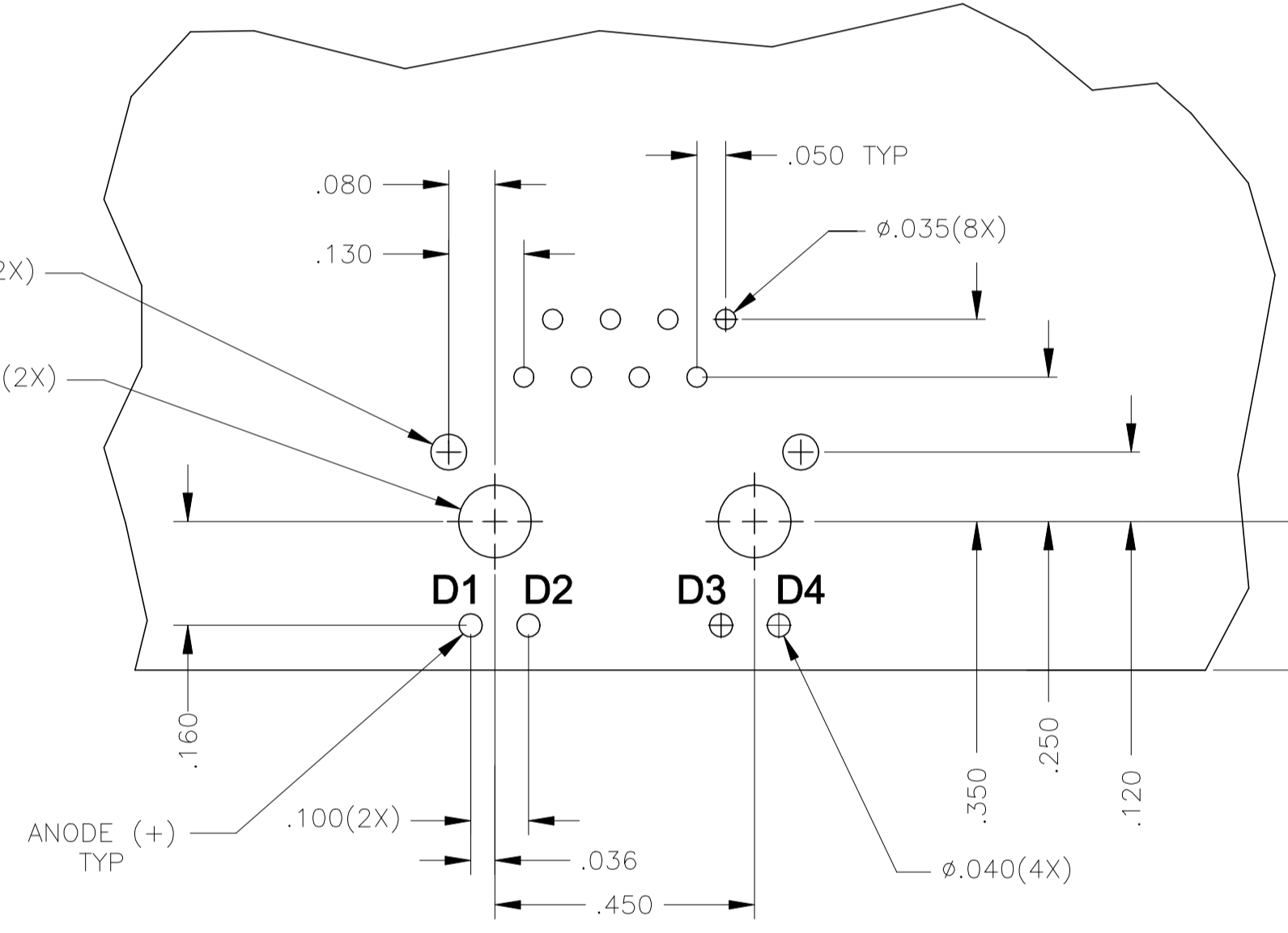
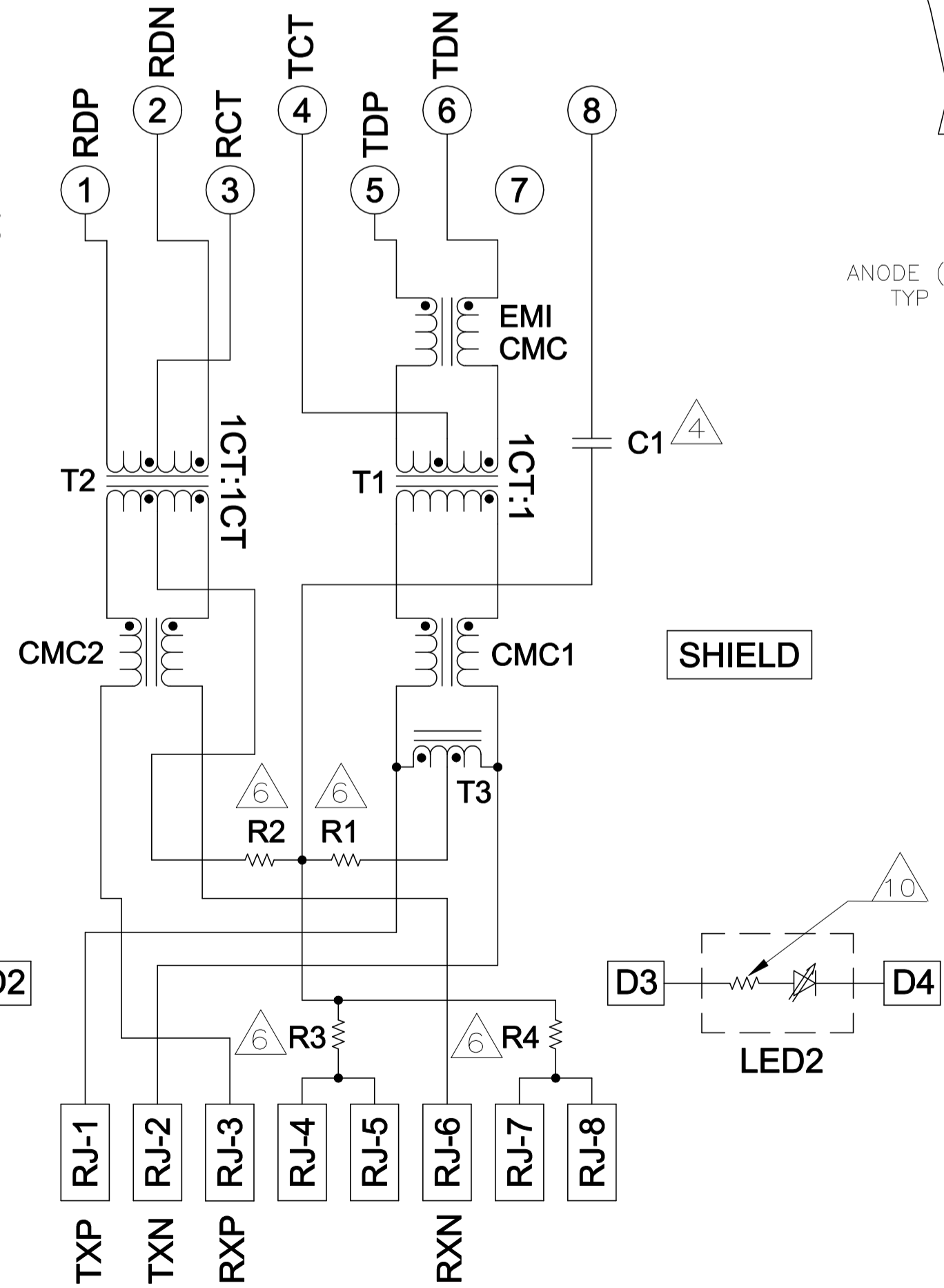
HIPOT (ISOLATION VOLTAGE):
 -2250 VDC (1 mA CUTOFF CURRENT) FOR 60 SECONDS DURATION WITH DECOUPLING CAPACITOR.
 -ALL BRIDGED ON EITHER SIDE OF MAGNETICS PACKAGE FOR RJ-45 CONTACTS.

OPERATING TEMPERATURE: FROM 0° - +70°C.

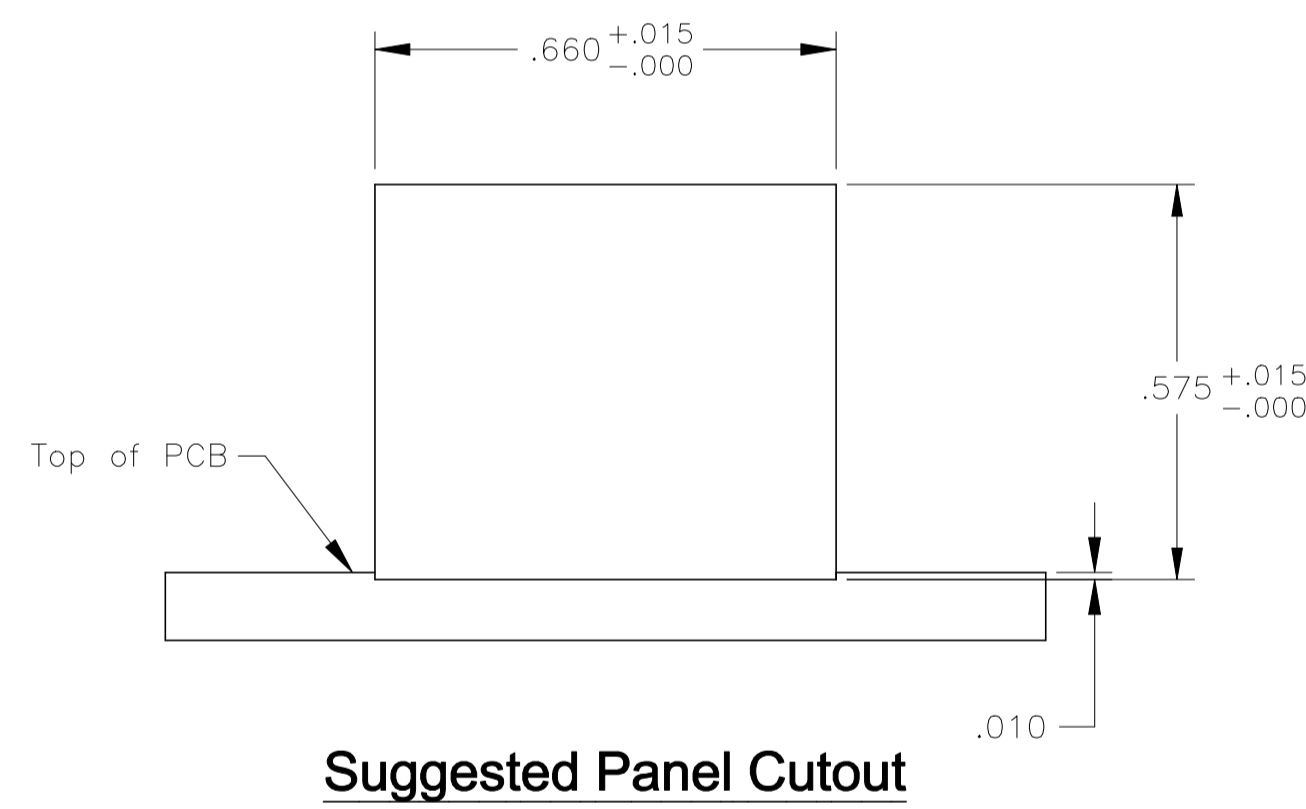
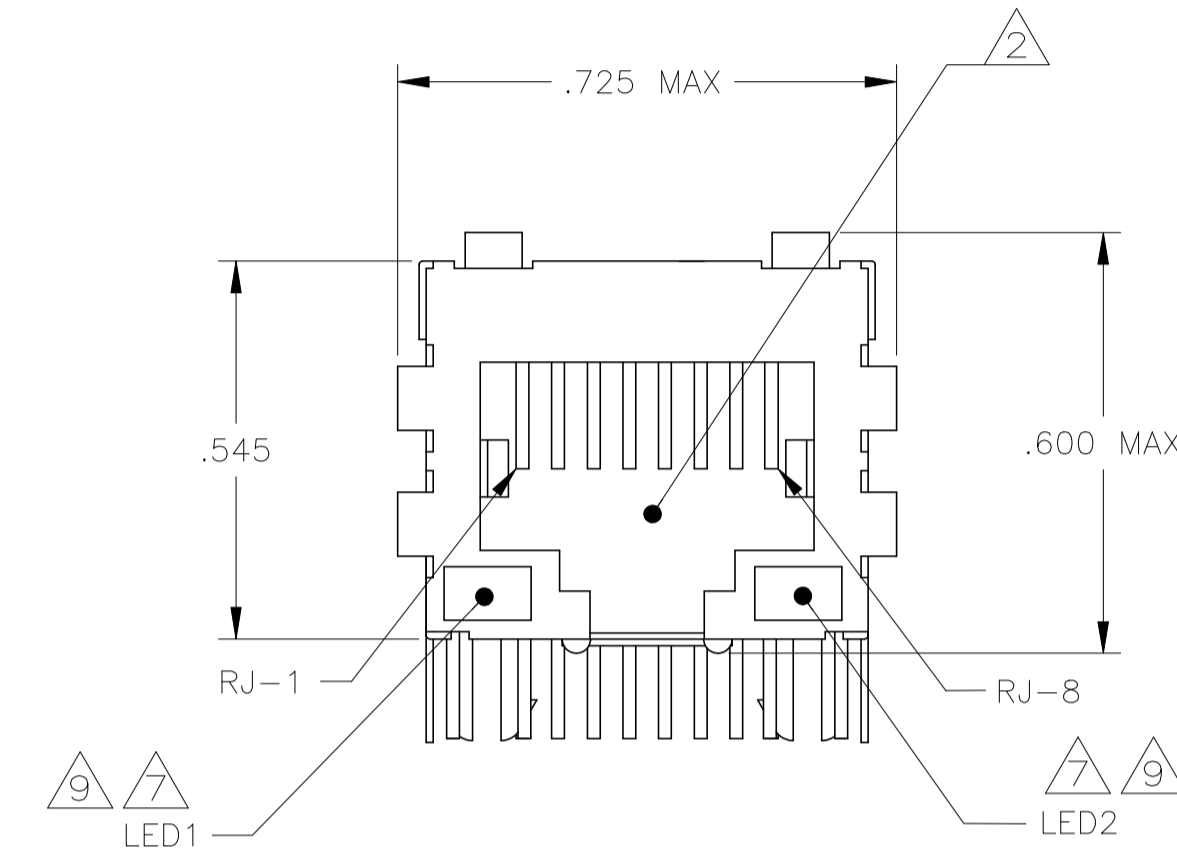
- C1 IS AN OPTIONAL 1000 pF, 2kV DECOUPLING CAPACITOR. IF NO CAPACITOR, TRACE IS CONTINUOUS.
- ALL DIMENSIONS NOMINAL UNLESS OTHERWISE NOTED.
- R1-R4 = 75 OHMS, 1/16 W, 5% RESISTORS.
- LED COMPLIANT WITH IEC60825-1 SAFETY OF LASER PRODUCTS. WHEN OPERATED UP TO 20 mA.
- INDICATED CONNECTIONS ARE FOR NIC CONFIGURATION. THE MAGNETICS ARE ASYMMETRICAL, AND THEREFORE DO NOT SUPPORT AUTO-MDI/MDIX.
- LED PEAK WAVELENGTH: GREEN(λD) = 565nm
YELLOW(λD) = 585nm
- THESE 250 OHM RESISTORS ARE INCLUDED IN THE LEDS ON 5-1605414-1, 5-1605414-4 AND 6-1605414-1 ONLY.
- OBsolete PARTS: OBsolete CIS STREAMLINING PER D.RENAUD/D.SINISI

ELECTRICAL:

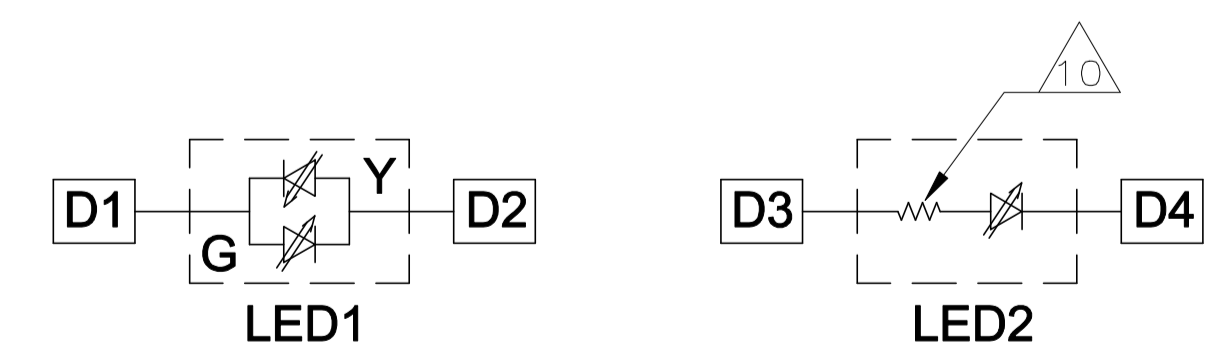
417 SERIES MAGNETIC CIRCUIT



Suggested PCB Layout (Component Side)



Suggested Panel Cutout



LED CONFIGURATION FOR 5-1605414-4 ONLY

OBsolete	YES	GREEN	GREEN	6-1605414-4
OBsolete	YES	GREEN	GREEN	5-1605414-7
OBsolete	YES	GREEN/YELLOW	GREEN	5-1605414-4
OBsolete	YES	GREEN	YELLOW	5-1605414-4
OBsolete	NO	YELLOW	GREEN	1605414-9

THIS DRAWING IS A CONTROLLED DOCUMENT.

DIMENSIONS: INCHES	TOLERANCES UNLESS OTHERWISE SPECIFIED:	0 PLC ± .005	1 PLC ± .005	2 PLC ± .010	3 PLC ± .005	4 PLC ± .005
PRODUCT SPEC	APPLICATION SPEC	108-2100				

Customer Drawing: 108-2100

Scale: NTS

Sheet: 1 of 1

Rev: G

Model Name: MAGJACK

Desc: 1X1 417 10/100 TAB DOWN W/ LED

Size: A1

Cage Code: C=1605414

Restricted To: -

Customer Drawing: 108-2100

Scale: NTS

Sheet: 1 of 1

Rev: G