

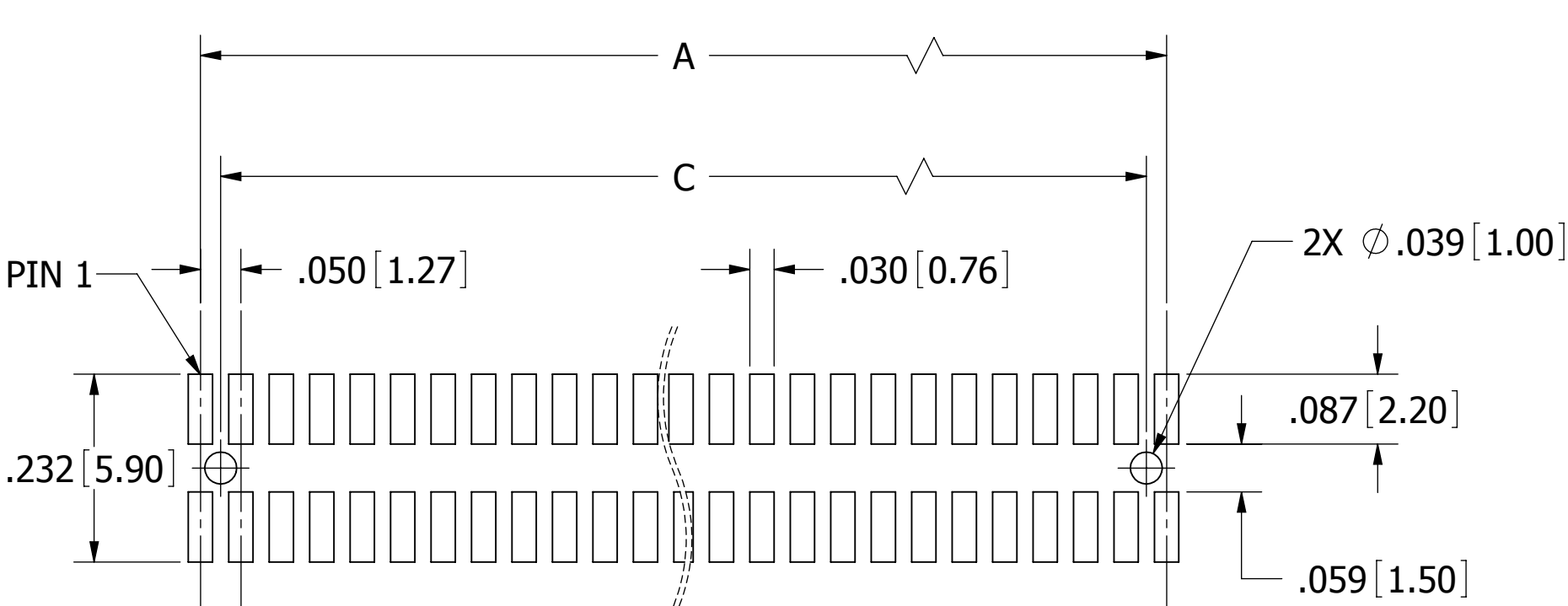
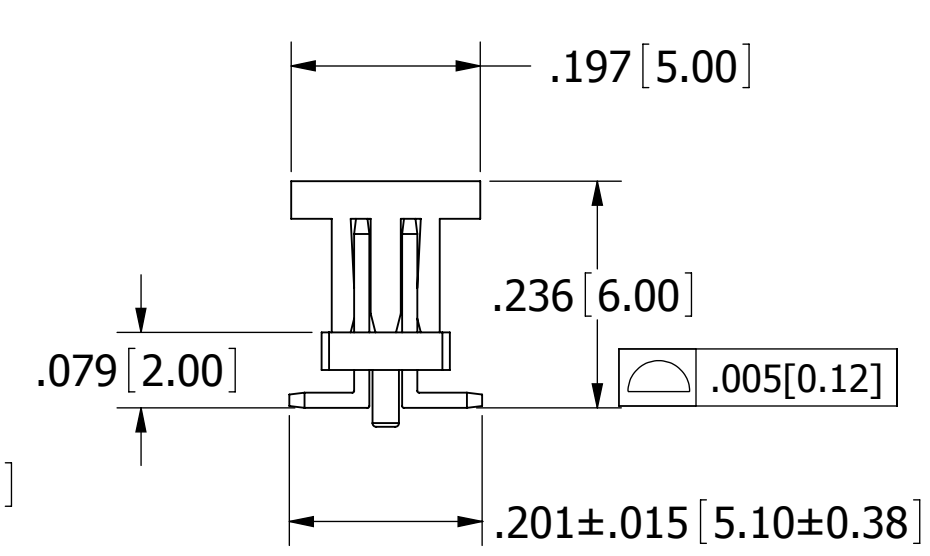
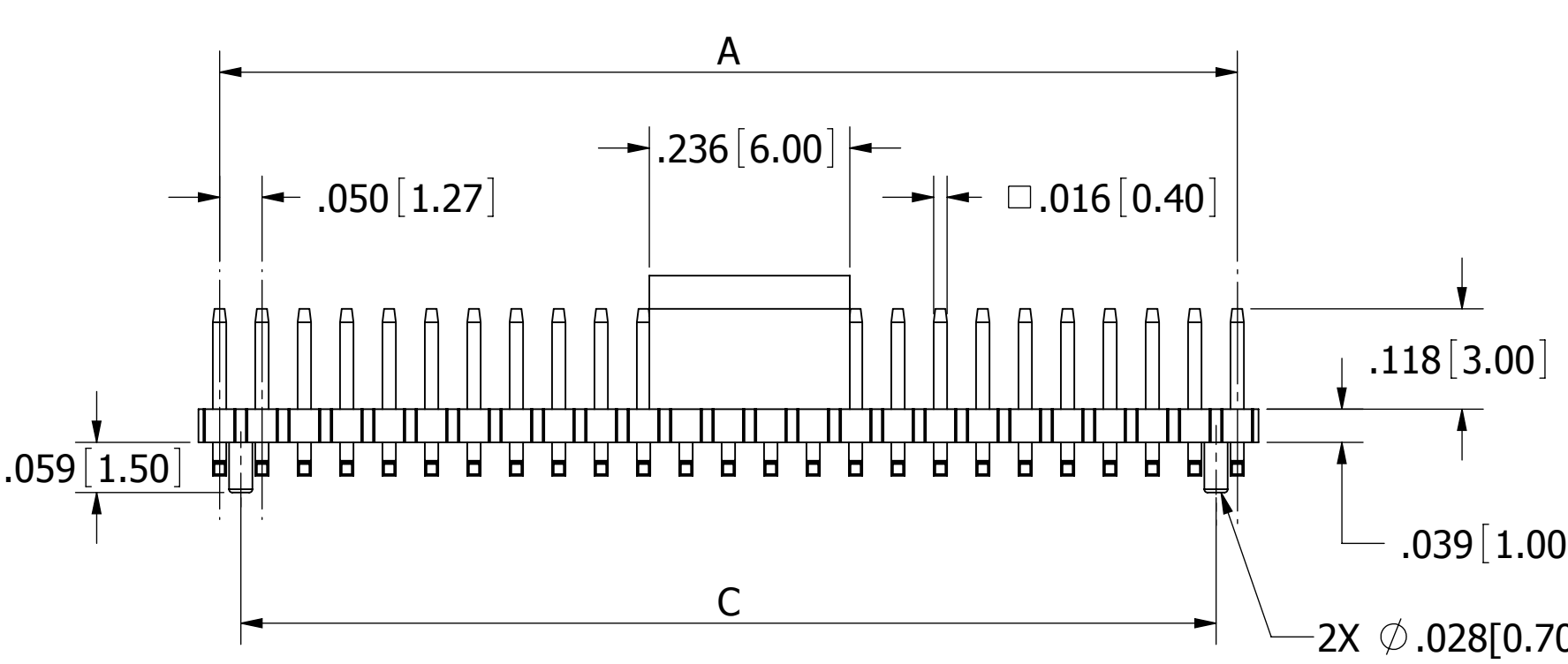
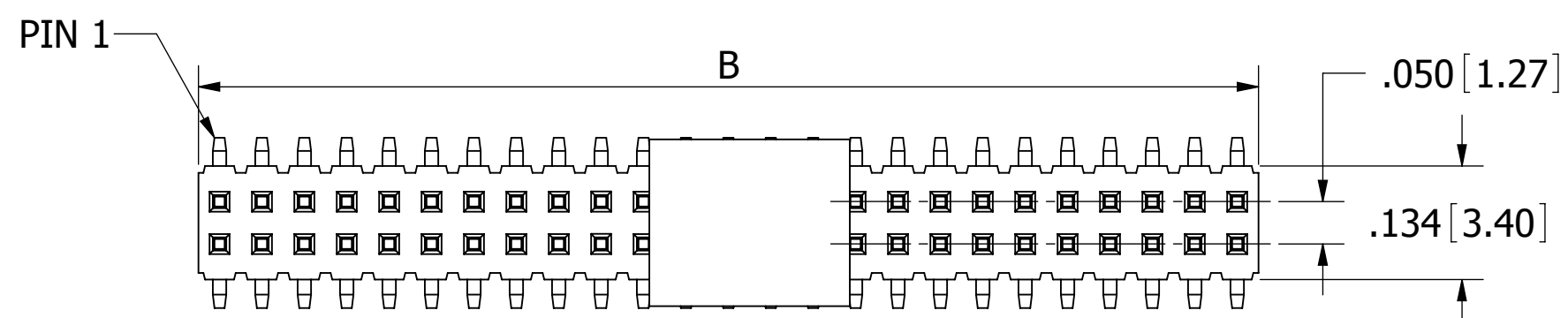
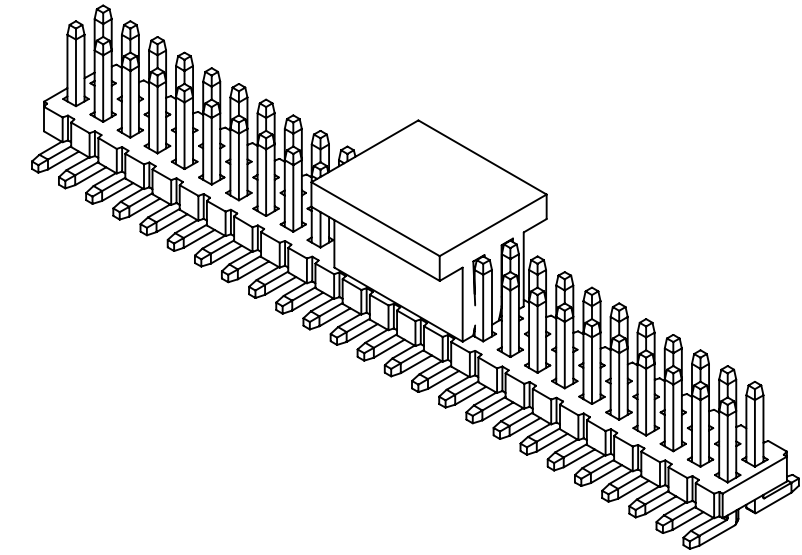
POSITIONS/ CONTACTS	A		B		C	
	INCH±.008	MM±0.20	INCH±.020	MM±0.50	INCH±.008	MM±0.20
02/04	0.050	1.27	0.100	2.54	N/A	N/A
03/06	0.100	2.54	0.150	3.81	0.050	1.27
04/08	0.150	3.81	0.200	5.08	0.100	2.54
05/10	0.200	5.08	0.250	6.35	0.150	3.81
06/12	0.250	6.35	0.300	7.62	0.200	5.08
07/14	0.300	7.62	0.350	8.89	0.250	6.35
08/16	0.350	8.89	0.400	10.16	0.300	7.62
09/18	0.400	10.16	0.450	11.43	0.350	8.89
10/20	0.450	11.43	0.500	12.70	0.400	10.16
11/21	0.500	12.70	0.550	13.97	0.450	11.43
12/24	0.550	13.97	0.600	15.24	0.500	12.70
13/26	0.600	15.24	0.650	16.51	0.550	13.97
14/28	0.650	16.51	0.700	17.78	0.600	15.24
15/30	0.700	17.78	0.750	19.05	0.650	16.51
16/32	0.750	19.05	0.800	20.32	0.700	17.78
17/34	0.800	20.32	0.850	21.59	0.750	19.05
18/36	0.850	21.59	0.900	22.86	0.800	20.32
19/38	0.900	22.86	0.950	24.13	0.850	21.59
20/40	0.950	24.13	1.000	25.40	0.900	22.86
21/42	1.000	25.40	1.050	26.67	0.950	24.13
22/44	1.050	26.67	1.100	27.94	1.000	25.40
23/46	1.100	27.94	1.150	29.21	1.050	26.67
24/48	1.150	29.21	1.200	30.48	1.100	27.94
25/50	1.200	30.48	1.250	31.75	1.150	29.21
26/52	1.250	31.75	1.300	33.02	1.200	30.48
27/54	1.300	33.02	1.350	34.29	1.250	31.75
28/56	1.350	34.29	1.400	35.56	1.300	33.02
29/58	1.400	35.56	1.450	36.83	1.350	34.29
30/60	1.450	36.83	1.500	38.10	1.400	35.56
31/62	1.500	38.10	1.550	39.37	1.450	36.83
32/64	1.550	39.37	1.600	40.64	1.500	38.10
33/66	1.600	40.64	1.650	41.91	1.550	39.37
34/68	1.650	41.91	1.700	43.18	1.600	40.64
35/70	1.700	43.18	1.750	44.45	1.650	41.91
36/72	1.750	44.45	1.800	45.72	1.700	43.18
37/74	1.800	45.72	1.850	46.99	1.750	44.45
38/76	1.850	46.99	1.900	48.26	1.800	45.72
39/78	1.900	48.26	1.950	49.53	1.850	46.99
40/80	1.950	49.53	2.000	50.80	1.900	48.26
41/82	2.000	50.80	2.050	52.07	1.950	49.53
42/84	2.050	52.07	2.100	53.34	2.000	50.80
43/86	2.100	53.34	2.150	54.61	2.050	52.07
44/88	2.150	54.61	2.200	55.88	2.100	53.34
45/90	2.200	55.88	2.250	57.15	2.150	54.61
46/92	2.250	57.15	2.300	58.42	2.200	55.88
47/94	2.300	58.42	2.350	59.69	2.250	57.15
48/96	2.350	59.69	2.400	60.96	2.300	58.42
49/98	2.400	60.96	2.450	62.23	2.350	59.69
50/100	2.450	62.23	2.500	63.50	2.400	60.96

PART NUMBER CODING

GRPB__2VWQP-M81RC

NUMBER OF POSITIONS
(CONTACTS PER ROW, 2 THRU 50)

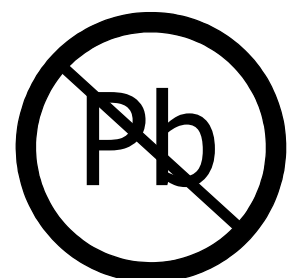
REVISIONS				
REV.	ECO. NO	DESCRIPTION	DATE	BY
A	1837	INITIAL RELEASE	09/06/2010	LH



RECOMMENDED PCB LAYOUT

- NOTES:
- INSULATOR MATERIAL: NYLON 9T.
*PROCESSING TEMPERATURE: 230° C FOR 60 SECONDS MAX.
(260° C FOR 10 SECONDS MAX.)
 - CONTACT MATERIAL: BRASS.
 - PLATING: GOLD FLASH OVERALL.
 - OPERATING TEMPERATURE: -40° C TO +105° C.
 - INSULATOR RESISTANCE: 5000 MEGA OHM MIN.
 - CONTACT RESISTANCE: 20 MILLIOHMS MAX.
 - DIELECTRIC WITHSTANDING: AC 500V.
 - UL FLAMMABILITY RATING: 94V-0.
 - CURRENT RATING: 1 AMP.
 - MODIFICATION: WITH PICK & PLACE CAP IN TAPE & REEL.

*INDICATED TEMPERATURE AND TIME IS FOR COMPONENT INSULATOR. HIGHER PROCESSING TEMPERATURES MAY BE USED, PROVIDED HEAT IS APPLIED FROM BACK SIDE OF PCB, AND INSULATOR DOES NOT EXCEED INDICATED TEMPERATURE AND TIME.



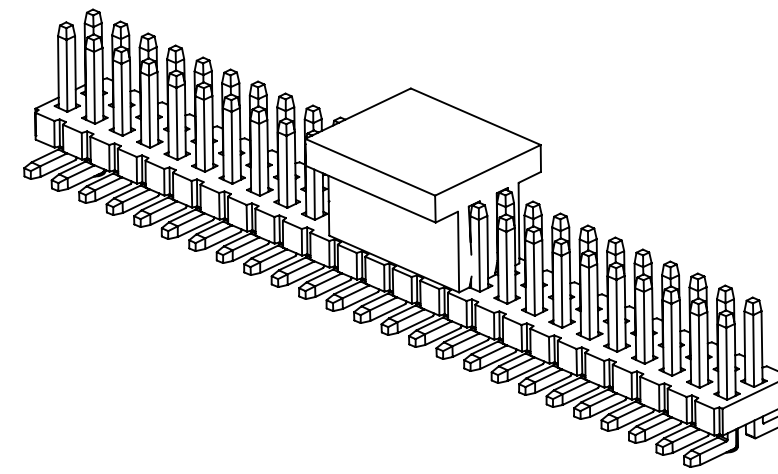
RoHS COMPLIANT

UNLESS OTHERWISE SPECIFIED: DIMENSIONS ARE IN INCHES [MM]	DRAWN	DATE	NAME	
		9/6/2010	LH	
TOLERANCES: ANGULAR: ± 30' .XX= ± .012 [0.30] .XXX= ± .008 [0.20] .XXXX= ± .004 [0.10]	THE INFORMATION HEREIN CONTAINS PROPRIETARY INFORMATION OF SULLINS ELECTRONICS AND IS NOT TO BE REPRODUCED, USED OR DISCLOSED TO OTHERS FOR ANY PURPOSE EXCEPT AS SPECIFICALLY AUTHORIZED IN WRITING BY AN OFFICER OF SULLINS ELECTRONICS.			TITLE
	INTERPRET DIMENSIONS AND TOLERANCING PER: ASME Y14.5M-2009			.050" DUAL ROW MALE HEADER, SMT T&R
PART NUMBER				REV
GRPB__2VWQP-M81RC				A
SIZE	CAGE CODE	DWG. NO.		
C	54453	11159		
SCALE: 8:1			SHEET 1 OF 2	

GRPB__2VWQP-M81RC

NOTE:

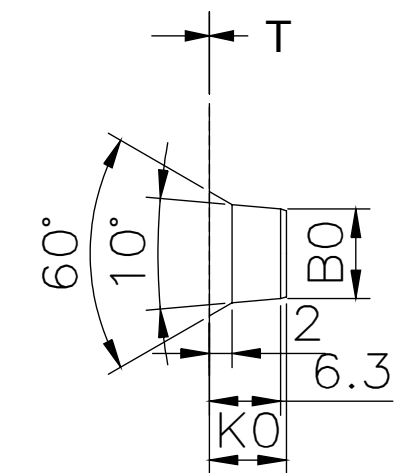
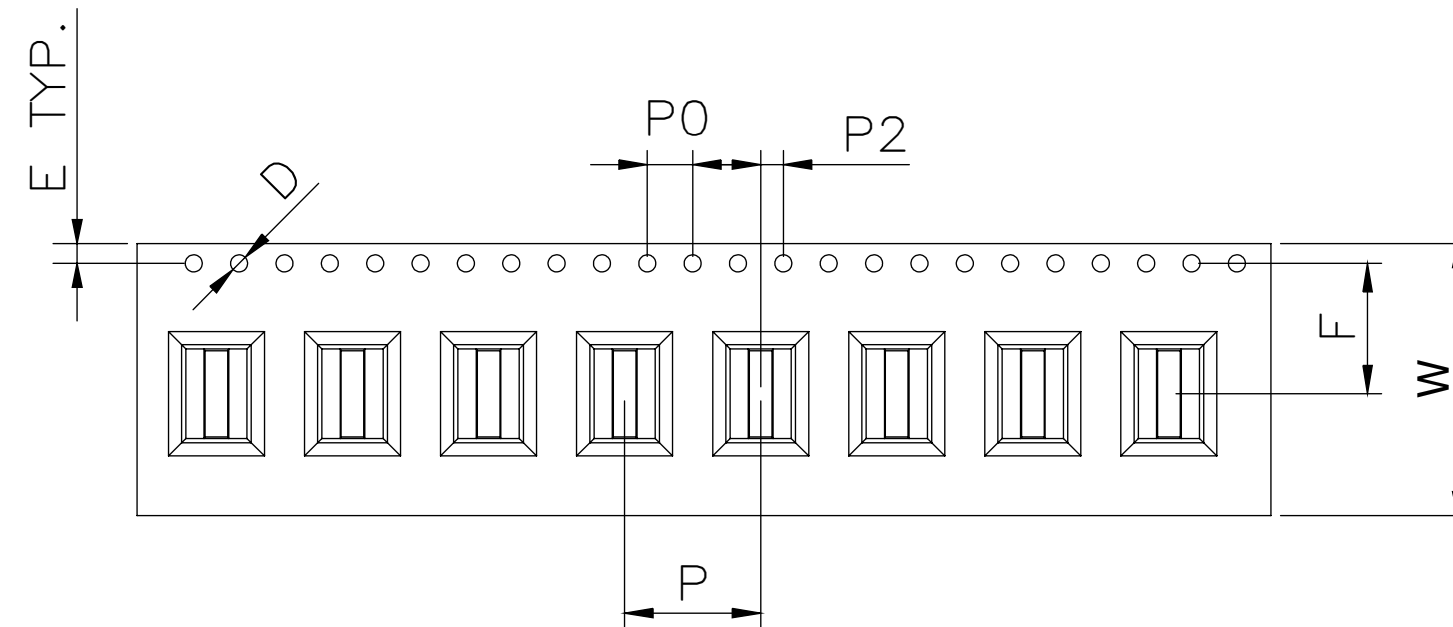
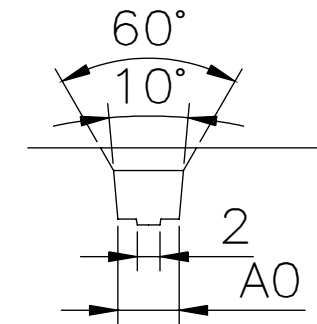
1. 10 SPROCKET HOLES PITCH CUMULATIVE TOLERANCE $\pm 0.20\text{mm}$.
2. CARRIER CAMBER IS 1mm IN 100mm.
3. A0 AND B0 MEASURED ON A PLANE 0.3mm ABOVE THE BOTTOM OF THE POCKET.
4. K0 MEASURED FROM A PLANE ON THE INSIDE BOTTOM OF THE POCKET TO THE TOP SURFACE OF THE CARRIER.
5. PACKING CONFORMS EIA-481-2 STANDARDS.
6. 13" REEL= 10.5 METER, 800 PIECES.



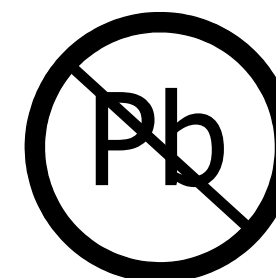
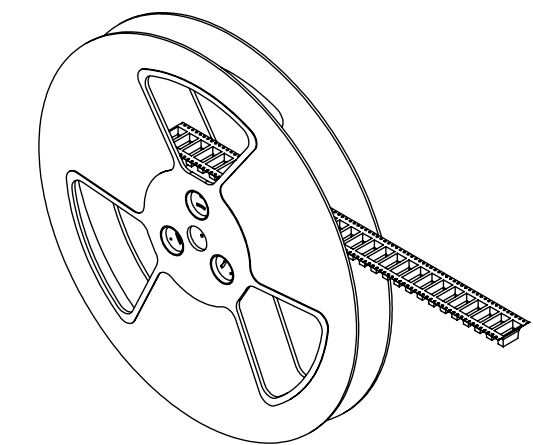
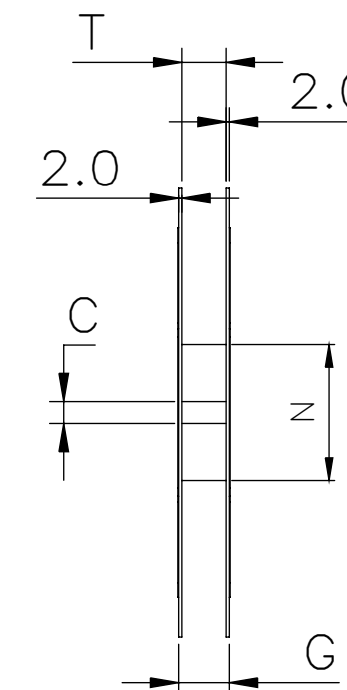
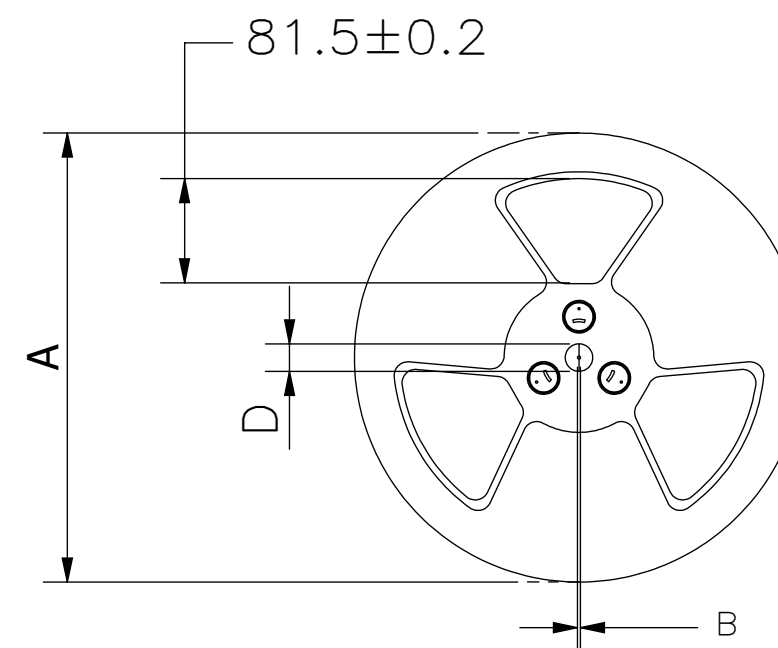
POSITIONS/ CONTACTS	DIMENSIONS (unit: mm)			POSITIONS/ CONTACTS	DIMENSIONS (unit: mm)		
	W	B0	F		W	B0	F
02/04	12	2.8	5.5	20/40	44	25.7	20.2
03/06	12	4.1	5.5	21/42	44	26.9	20.2
04/08	16	5.4	7.5	22/44	56	28.2	26.2
05/10	16	6.6	7.5	23/46	72	29.5	34.2
06/12	24	7.9	11.5	24/48	72	30.7	34.2
07/14	24	9.1	11.5	25/50	72	32.0	34.2
08/16	24	10.4	11.5	26/52	72	33.3	34.2
09/18	24	11.7	11.5	27/54	72	34.5	34.2
10/20	24	13.0	11.5	28/56	72	35.8	34.2
11/22	32	14.2	14.2	29/58	72	37.1	34.2
12/24	32	15.5	14.2	30/60	88	38.4	42.2
13/26	32	16.8	14.2	31/62	88	39.6	42.2
14/28	32	18.0	14.2	32/64	88	40.9	42.2
15/30	44	19.3	20.2	33/66	88	42.1	42.2
16/32	44	20.6	20.2	34/68	88	43.4	42.2
17/34	44	21.8	20.2	35/70	88	44.7	42.2
18/36	44	23.1	20.2	36/72	88	46.0	42.2
19/38	44	24.4	20.2	37/74	88	47.2	42.2

DEVICE TYPE: GRPB__2VWQP-M81RC

DIMENSIONS	A0 ± 0.1	K0 ± 0.1	P ± 0.1	E ± 0.1	D $+0.1/-0.0$	P0 ± 0.1	P2 ± 0.1
(unit: mm)	5.4	6.8	12	1.75	1.5	4.0	2.0



DIMENSIONS (unit: mm)							CARRIER TAPE
A	B ± 0.5	C ± 0.2	D ± 1.0	N ± 1.0	T ± 0.1	G ± 0.1	W
330	2.2	13	20.2	100	8.5	13.1	8
330	2.2	13	20.2	100	12.5	17.1	12
330	2.2	13	20.2	100	17.0	21.1	16
330	2.2	13	20.2	100	24.5	29.1	24
330	2.2	13	20.2	100	32.5	37.0	32
330	2.2	13	20.2	100	44.5	49.1	44
330	2.2	13	20.2	100	56.5	61.1	56
330	2.2	13	20.2	100	72.5	77.1	72
330	2.2	13	20.2	100	88.5	93.1	88



RoHS COMPLIANT

UNLESS OTHERWISE SPECIFIED: DIMENSIONS ARE IN INCHES [MM]	DRAWN	DATE	NAME	
		9/6/2010	LH	
TOLERANCES: ANGULAR: $\pm 30'$.XX = $\pm .012$ [.30] .XXX = $\pm .008$ [.20] .XXXX = $\pm .004$ [.10]	<small>THE INFORMATION HEREIN CONTAINS PROPRIETARY INFORMATION OF SULLINS ELECTRONICS AND IS NOT TO BE REPRODUCED, USED OR DISCLOSED TO OTHERS FOR ANY PURPOSE EXCEPT AS SPECIFICALLY AUTHORIZED IN WRITING BY AN OFFICER OF SULLINS ELECTRONICS.</small>			TITLE
	<small>INTERPRET DIMENSIONS AND TOLERANCING PER: ASME Y14.5M-2009</small>			.050" DUAL ROW MALE HEADER, SMT T&R
PART NUMBER				REV
GRPB__2VWQP-M81RC				A
SIZE	CAGE CODE	DWG. NO.	SCALE: 8:1	
C	54453	11159	SHEET 2 OF 2	